



Auto Parts and Solutions

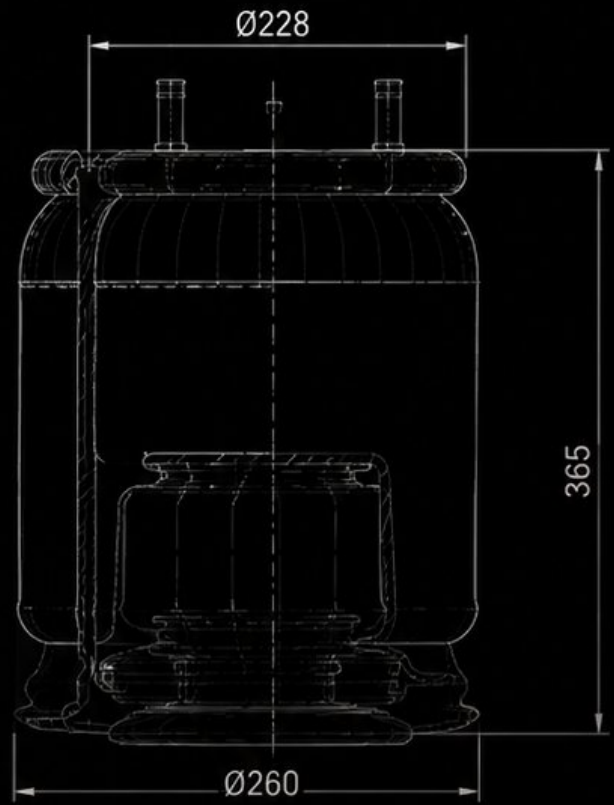
# CONVOLUTED AIR SPRINGS

## PRODUCT CATALOG

HEAVY DUTY  
PARTS SOLUTIONS

AIR SPRINGS • SHOCK ABSORBERS • BRAKE PADS

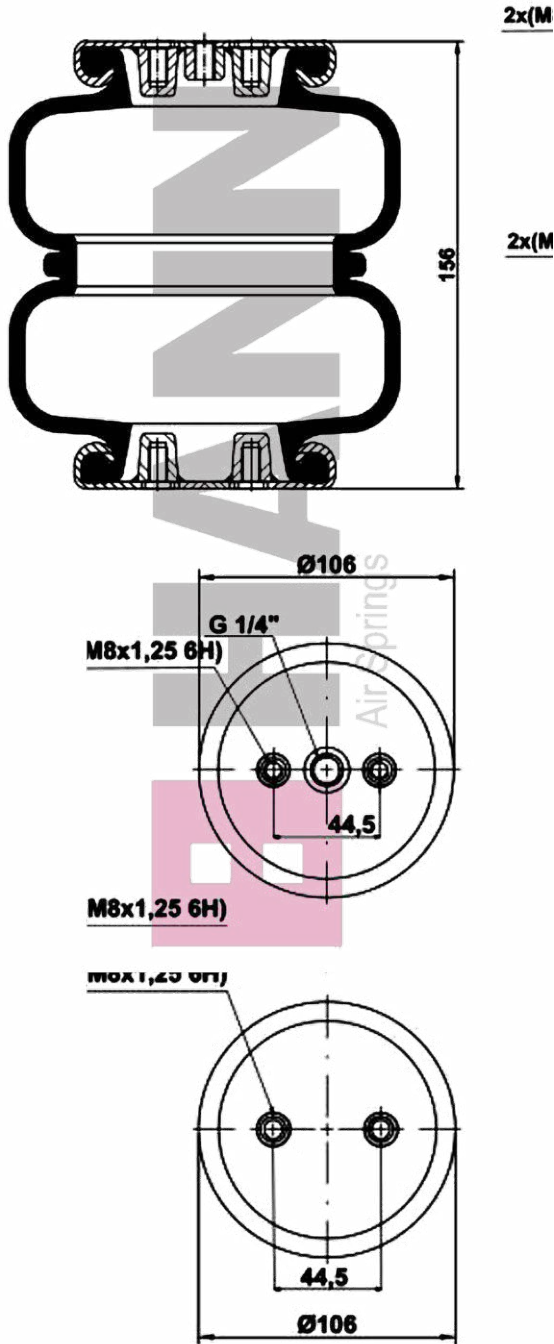
ADDED VALUE  
SOLUTIONS




**HANN No: H03.2150.P04**

Convoluted Air Spring

**TECHNICAL DRAWING**



**PRODUCT DETAILS**

 **Product Type:**  
Convoluted Air Spring

 **Dimensions:**  
80\*120\*83

 **Pallet Quantity:**  
175

 **Weight:**  
-

**OEM REFERENCES**

GIGANT	196027
GIGANT	700196027

**CROSS REFERENCES**

CONTITECH	FD 70-13 1/4 M8
FIRESTONE	W01-M58-6105

**VEHICLE APPLICATION**

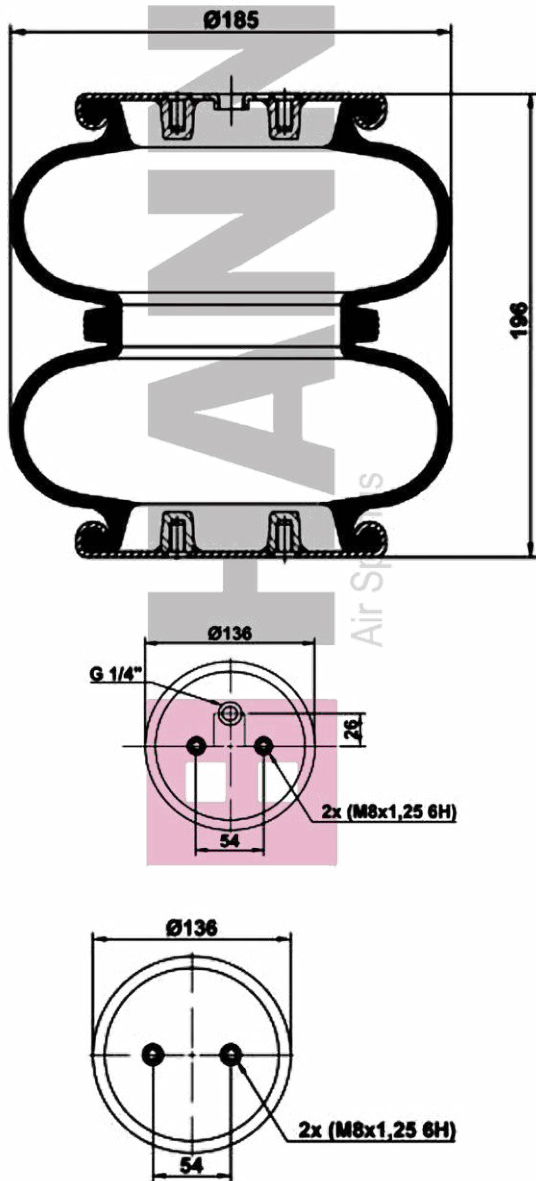


**Vehicle Model:**  
Gigant tbd


**HANN No: H03.2181.P01**


Convoluted Air Spring

**TECHNICAL DRAWING**



**PRODUCT DETAILS**

 **Product Type:**  
Convoluted Air Spring

 **Dimensions:**  
80x120x85

 **Pallet Quantity:**  
120

 **Weight:**  
2.33

**OEM REFERENCES**

GRANNING | 196028

**CROSS REFERENCES**

Goodyear | 2B8-550

DUNLOP | PNP 305510111

PHOENIX | SP 2B 07R

**VEHICLE APPLICATION**

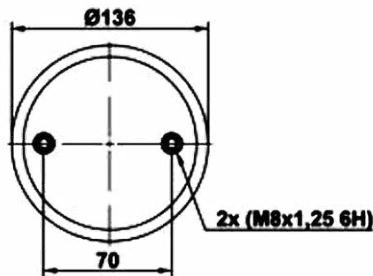
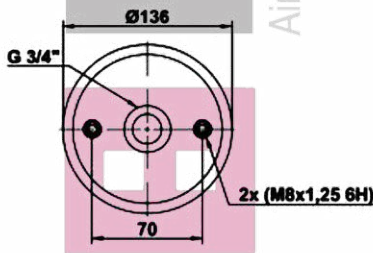
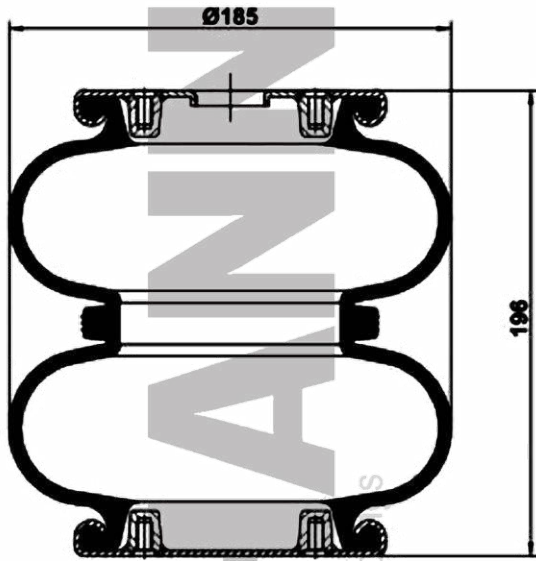


**Vehicle Model:**  
GRANNING

# HANN No: H03.2181.P02

Convoluted Air Spring

## TECHNICAL DRAWING



## PRODUCT DETAILS



**Product Type:**  
Convoluted Air Spring



**Dimensions:**  
80\*120\*83



**Pallet Quantity:**  
120



**Weight:**  
-

## OEM REFERENCES

GIGANT

196028

## CROSS REFERENCES

BLACKTECH

2C 18-120 P03

CF GOMMA

84181

GOODYEAR

2B8-2152

VIBRACOUSTIC

VSP2B07R-2

## VEHICLE APPLICATION

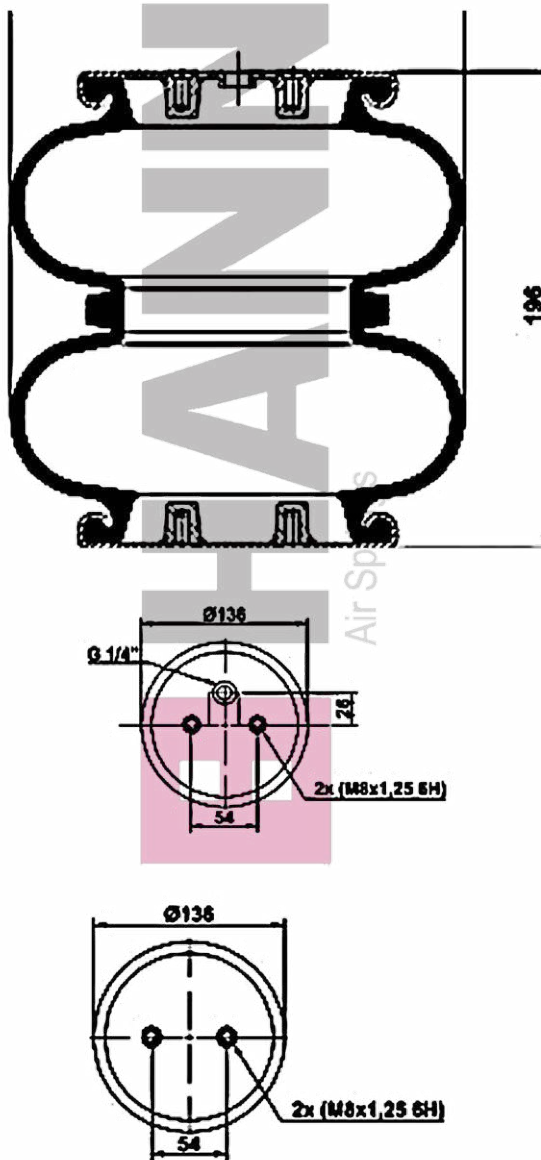


**Vehicle Model:**  
GRANNING tbd

**HANN No: H03.2181.P03**

Convoluted Air Spring

**TECHNICAL DRAWING**



**PRODUCT DETAILS**

 **Product Type:**  
Convoluted Air Spring

 **Dimensions:**  
80\*120\*83

 **Pallet Quantity:**  
120

 **Weight:**  
-

**OEM REFERENCES**

GRANNING | 196028

**CROSS REFERENCES**

GOODYEAR | 2B8-550

**VEHICLE APPLICATION**

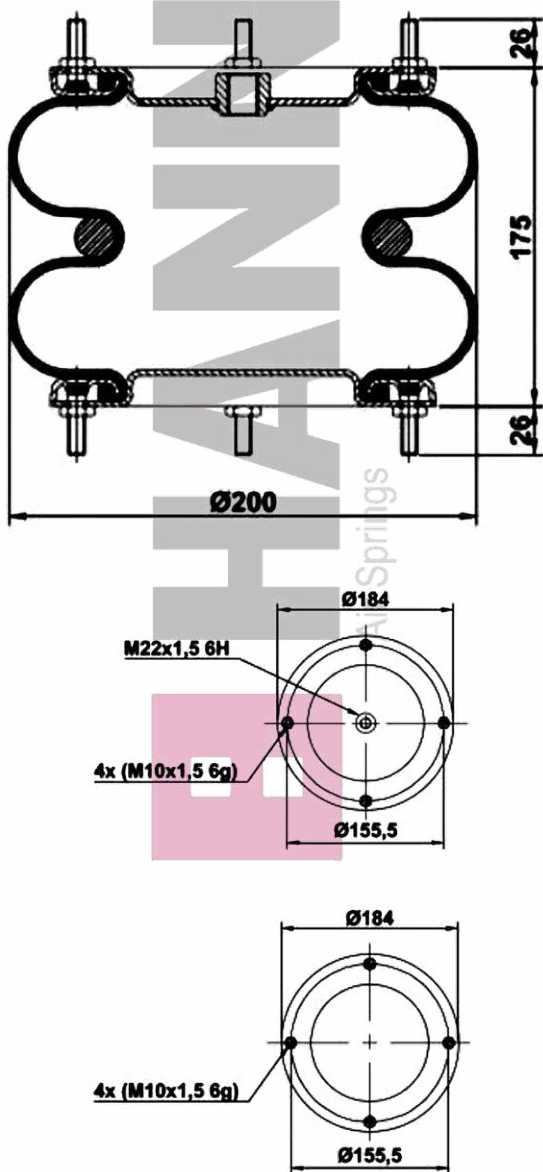


**Vehicle Model:**  
GRANNING tbd


# HANN No: H03.2201.F01

Convoluted Air Spring

## TECHNICAL DRAWING



## PRODUCT DETAILS

 **Product Type:**  
Convoluted Air Spring

 **Dimensions:**  
80\*120\*83

 **Pallet Quantity:**  
80

 **Weight:**  
-

## OEM REFERENCES

FRUEHAUF	F 48054
FRUEHAUF	M 80A04
GRANNING	15803
SAMRO	H2500188

## CROSS REFERENCES

CONTITECH	FD 138-18
CONTITECH	FD 138-18 1/2 M10
FIRESTONE	W01-R58-4055

## VEHICLE APPLICATION

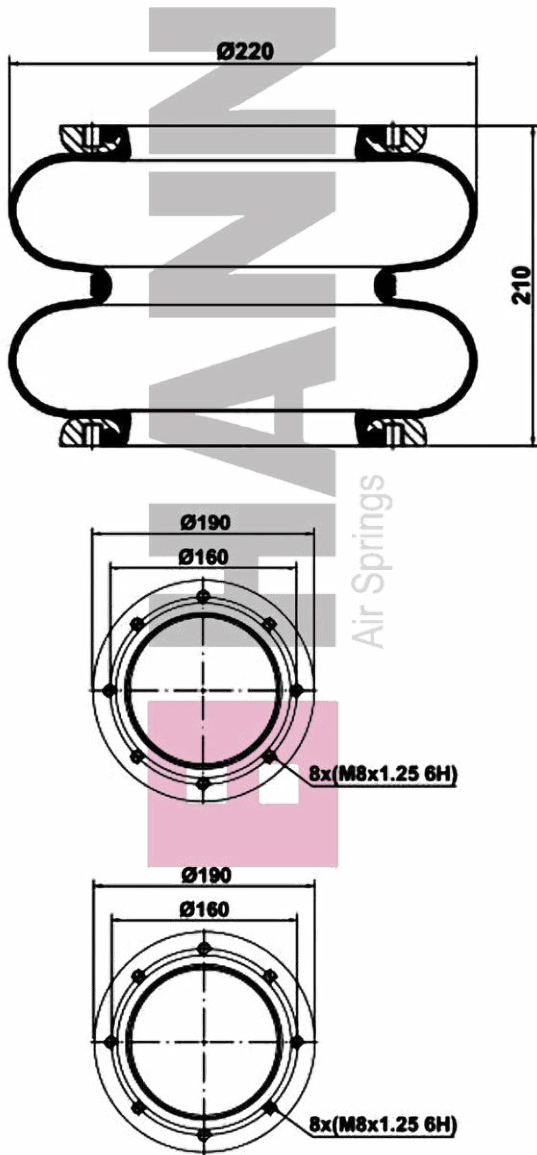


**Vehicle Model:**  
FRUEHAUF tbd


# HANN No: H03.2211.M01

Convolute Air Spring

## TECHNICAL DRAWING



## PRODUCT DETAILS

 **Product Type:**  
Convolute Air Spring

 **Dimensions:**  
80\*120\*83

 **Pallet Quantity:**  
60

 **Weight:**  
-

## OEM REFERENCES

MERCEDES	A942 327 0611
VOLVO	0 365 431
VOLVO	0 365 461
VOLVO	6 882 797

## CROSS REFERENCES

CF GOMMA	20-86599
CONTITECH	FD 200-19 S
FIRESTONE	W01-095-0009
GOODYEAR	2B9-8325
GOODYEAR	556-03-8325
PHOENIX	2 B 12 R
VIBRACOUSTIC	V2B12R

## VEHICLE APPLICATION

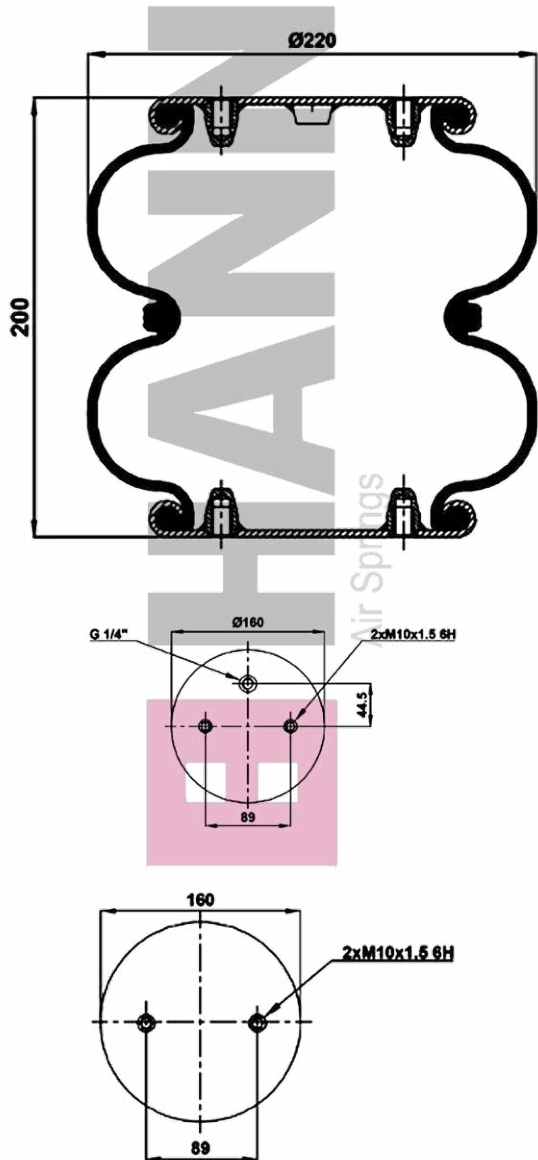


**Vehicle Model:**  
VOLVO B series, Mercedes tbd


# HANN No: H03.2211.P01

Convoluted Air Spring

## TECHNICAL DRAWING



## PRODUCT DETAILS

 **Product Type:**  
Convoluted Air Spring

 **Dimensions:**  
80\*120\*83

 **Pallet Quantity:**  
120

 **Weight:**  
2.95

## OEM REFERENCES

GRANNING	1371
GRANNING	15603
HENDRICKSON	206797
HENDRICKSON	NA1827
ROR	21221395
ROR	21222563
WEWELER	US06910F

## CROSS REFERENCES

CONTITECH	FD 200-19 1/4 M10
FIRESTONE	W01-M58-6910
FIRESTONE	W01-M58-6837
PHOENIX	SP 2 B 12 R
VIBRACOUSTIC	VSP2B12R

## VEHICLE APPLICATION

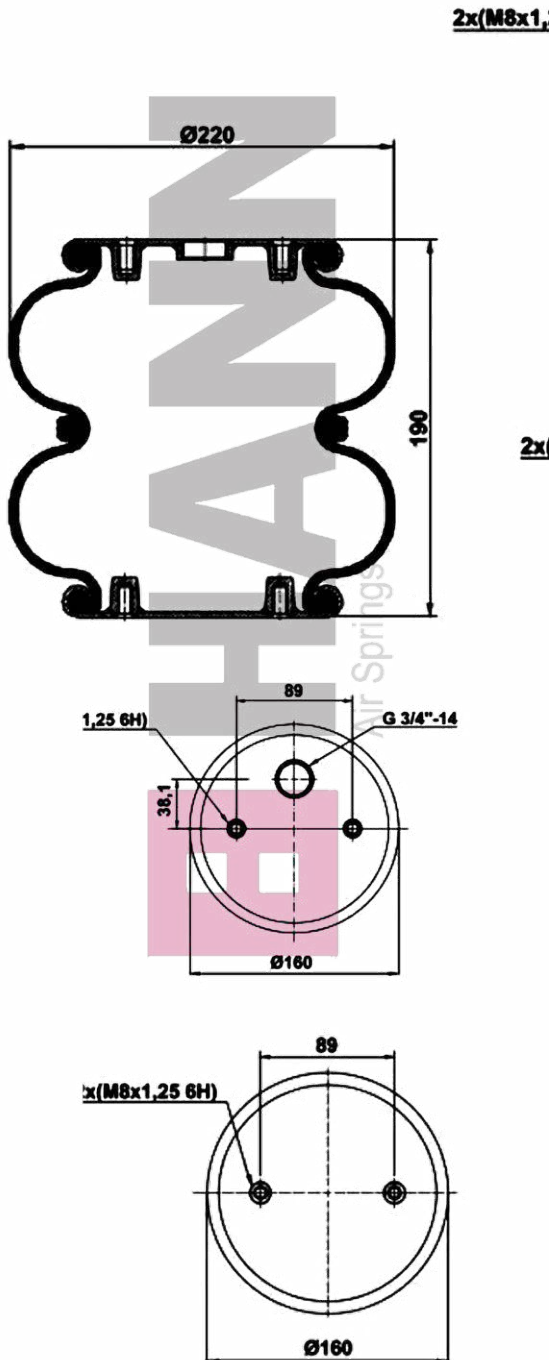


**Vehicle Model:**  
Schmitz Cargobull tbd, Meritor Suspension  
Flexair FL9000

**HANN No: H03.2211.P04**

Convoluted Air Spring

**TECHNICAL DRAWING**



**PRODUCT DETAILS**

 **Product Type:**  
Convoluted Air Spring

 **Dimensions:**  
80\*120\*83

 **Pallet Quantity:**  
120

 **Weight:**  
-

**OEM REFERENCES**

SCANIA | 1863244

**CROSS REFERENCES**

CONTITECH | FD 200-19 53363

FIRESTONE | W01-M58-6891

**VEHICLE APPLICATION**



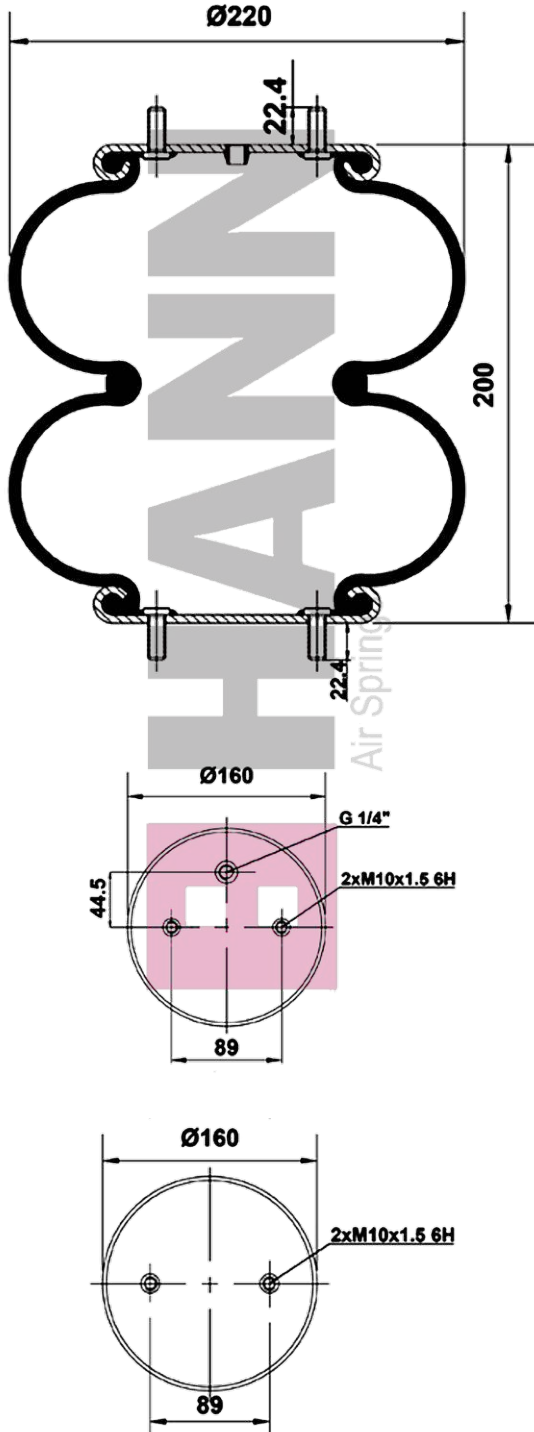
**Vehicle Model:**

Scania 3-Serie G 93 1987-1996 1987 - 1996,  
P 113 1987-1996 1987 - 1996, R 143  
1987-1996 1987 - 1996, Scania 4-Serie P

# HANN No: H03.2211.P05

Convoluted Air Spring


## TECHNICAL DRAWING



## PRODUCT DETAILS

 **Product Type:**  
Convoluted Air Spring

 **Dimensions:**  
80x120x85

 **Pallet Quantity:**  
90

 **Weight:**  
3.05

## OEM REFERENCES

DINA	AZ-8127-19
Prevost	63-0173
Ridewell	1003586900C
Suspension Dynamics	630173
Watson & Chalin	AS-0156-1G

## CROSS REFERENCES

Triangle	AS-4319
Firestone	W01-358-6900
Goodyear	2B9-216
Goodyear	578 9 2 3202
AIRKRAFT	2B-220 / 113021
CONTITECH	FD 200-19 319
Automann	SP2B12R-6900

## VEHICLE APPLICATION

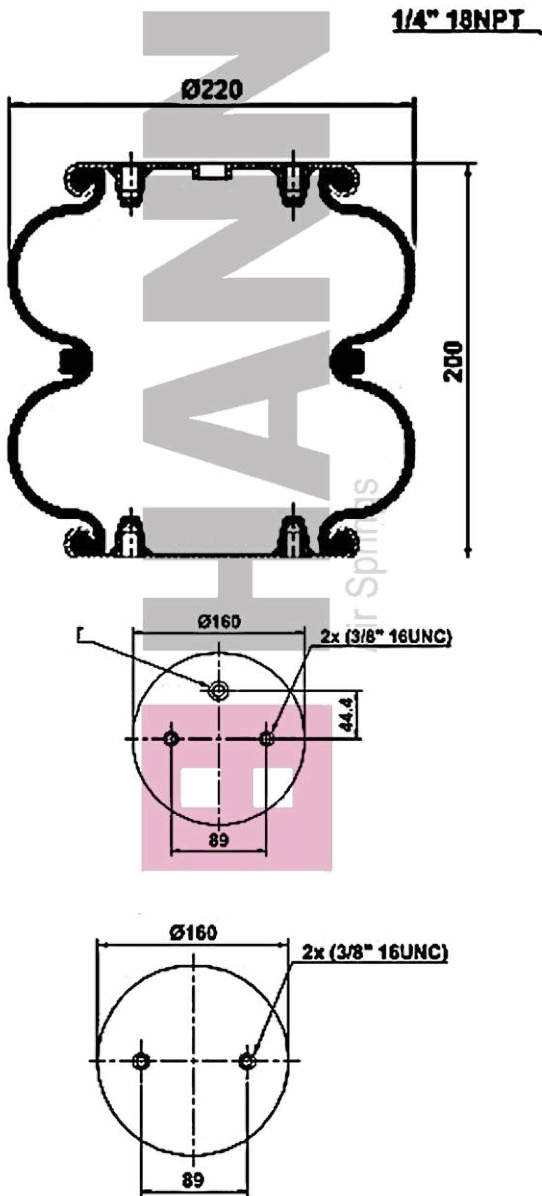


**Vehicle Model:**  
RIDEWELL - TRIANGLE

# HANN No: H03.2211.P06

Convoluted Air Spring

## TECHNICAL DRAWING



## PRODUCT DETAILS

 **Product Type:**  
Convoluted Air Spring

 **Dimensions:**  
80\*120\*83

 **Pallet Quantity:**  
-

 **Weight:**  
-

## OEM REFERENCES

DAYTON	354-6910	LOADGUARD	SC2011
GRANNING	1371	NAVISTAR	554783C1
GRANNING	2726	RIDEWELL	1003586910C
HENDRICKSON	45843-3	SAF HOLLAND	57006910
HENDRICKSON	S-8768	WATSON & CHALIN	0001

## CROSS REFERENCES

CONTITECH	FD 200-19 320
FIRESTONE	20CT
FIRESTONE	W01-358-6910
GOODYEAR	289-200
GOODYEAR	578923202
TRIANGLE	AS-4320

## VEHICLE APPLICATION

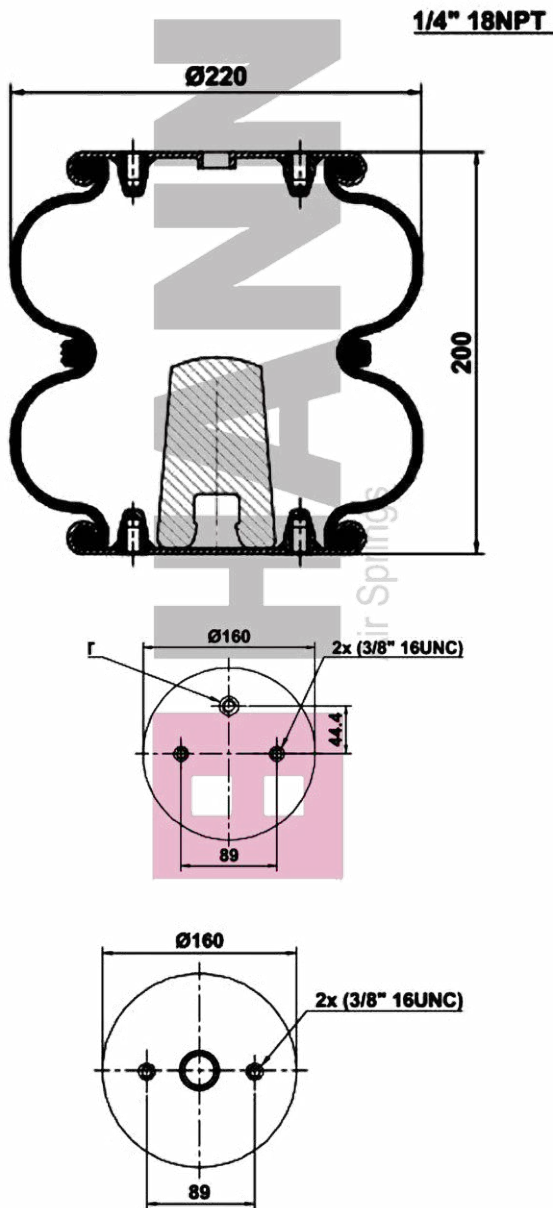


**Vehicle Model:**  
HENDRICKSON tbd, NAVISTAR tbd, NEWAY tbd,  
RIDEWELL tbd, WATSON & CHALIN tbd


# HANN No: H03.2211.P07

Convoluted Air Spring

## TECHNICAL DRAWING



## PRODUCT DETAILS

 **Product Type:**  
Convoluted Air Spring

 **Dimensions:**  
-

 **Pallet Quantity:**  
-

 **Weight:**  
-

## OEM REFERENCES

GRANNING	4848	NEWAY	57006902
HENDRICKSON	C2630	RIDEWELL	1003586902C
HENDRICKSON	S2630	SUSPENTECH	AS-0002
LOADGUARD	SC2010	WATSON & CHAMBERLAIN	W00002
NAVISTAR	554784C1		

## CROSS REFERENCES

CONTITECH	FD 200-19 310
FIRESTONE	20F
FIRESTONE	W01-358-6902
GOODYEAR	2B9-239
VIBRACOUSTIC	SP2B12R-6902

## VEHICLE APPLICATION



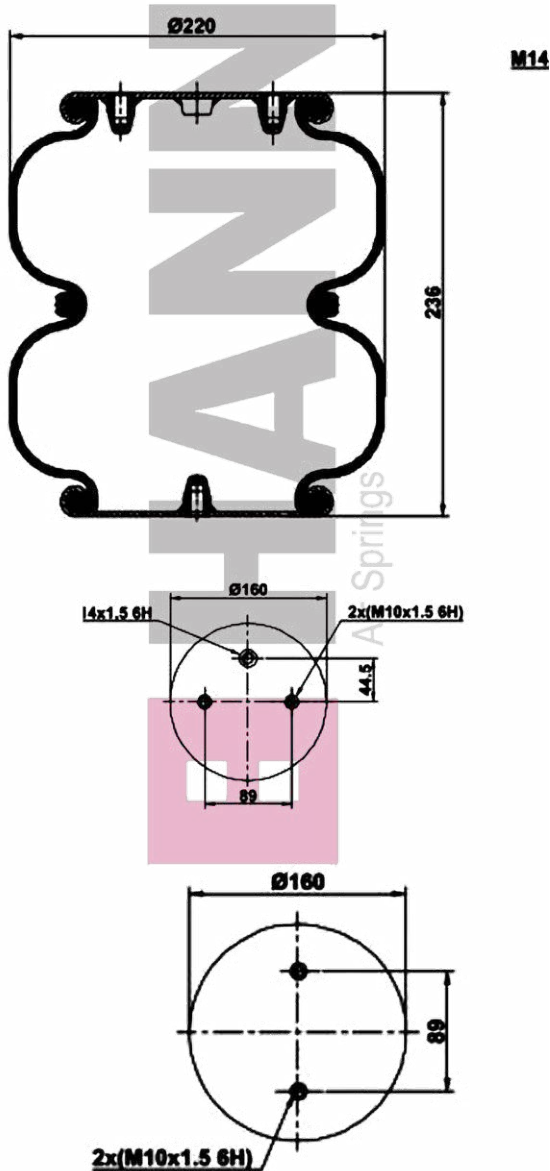
**Vehicle Model:**

-


# HANN No: H03.2211.P08

Convoluted Air Spring

## TECHNICAL DRAWING



## PRODUCT DETAILS

 **Product Type:**  
Convoluted Air Spring

 **Dimensions:**  
-

 **Pallet Quantity:**  
-

 **Weight:**  
-

## OEM REFERENCES

GRANNING	15599
SAF	3.027.1278.01 S
SAF	3.027.1280.01 S
SAF	4.229.1004.00
SCANIA	1319761
SCANIA	1387283
SCANIA	1387289
SCANIA	1723523

## CROSS REFERENCES

CONTITECH	FD 200-19 P04
FIRESTONE	20F
FIRESTONE	W01-M58-7894
GOODYEAR	2B9-700
GOODYEAR	578-92-3-211
PHOENIX	SP 2 B 12 R-5
VIBRACOUSTIC	VSP2B12R-5

## VEHICLE APPLICATION



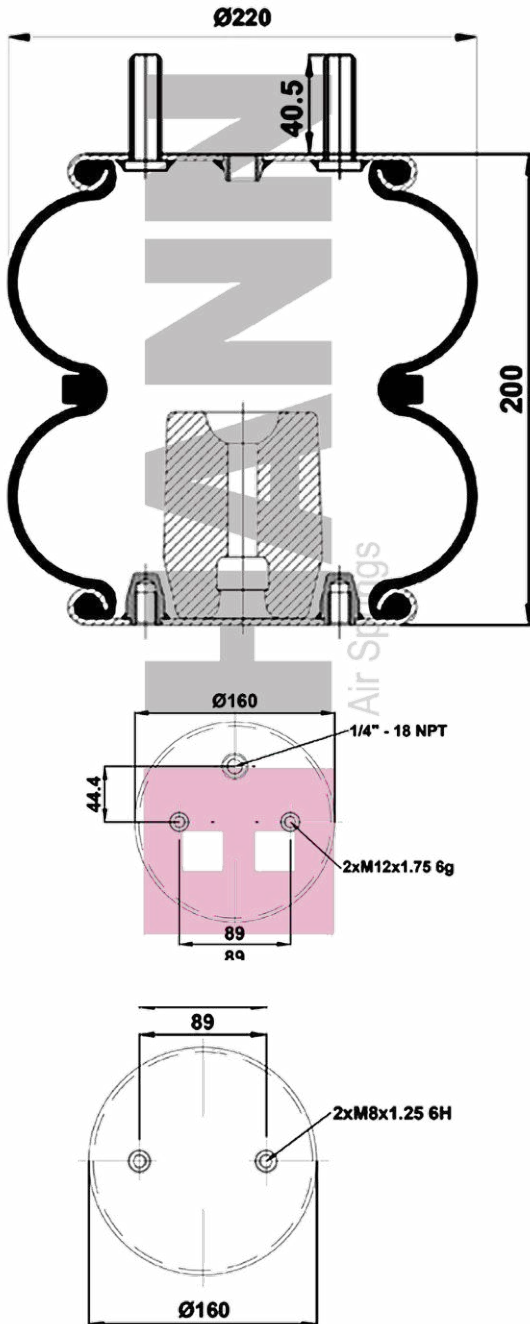
**Vehicle Model:**

-


# HANN No: H03.2211.P09


Convoluted Air Spring


## TECHNICAL DRAWING




## PRODUCT DETAILS

 **Product Type:**  
Convoluted Air Spring

 **Dimensions:**  
80x120x85

 **Pallet Quantity:**  
90

 **Weight:**  
-

## OEM REFERENCES

JOST	AD0076
STARA	79114138

## CROSS REFERENCES

ContiTech	FD 200-19 823
Goodyear	556 2 2 8521
Goodyear	578 2 3 8325
Firestone	W01-095-0313
Airtech	140552
Suspentech system	ST 853

## VEHICLE APPLICATION

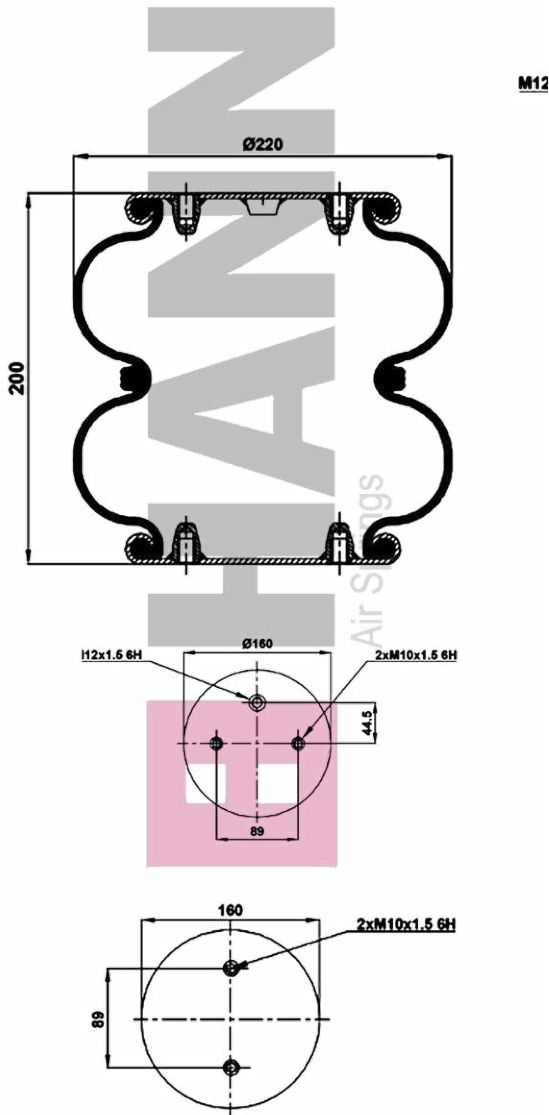


**Vehicle Model:**  
JOST


# HANN No: H03.2211.P11

Convoluted Air Spring

## TECHNICAL DRAWING



## PRODUCT DETAILS

 **Product Type:**  
Convoluted Air Spring

 **Dimensions:**  
80\*120\*85

 **Pallet Quantity:**  
120

 **Weight:**  
2.94

## OEM REFERENCES

Kögel	6501706
Kögel	6502824
SAF	4.229.1004.00
Scania	1387289
Scania	1319761
Granning	15599
Scania	1723523

## CROSS REFERENCES

ContiTech	FD 200-19 P04	Goodyear	578-92-3-211
CF Gomma	207773	Neotec	ABT 3225 D 02 X
ContiTech	FD 200-19 P08	Phoenix	SP 2 B 12 R-5
Dunlop F	S09201	Vibracoustic	V SP 2 B 12 R-5
Firestone	W01-M58-7894	Airtech	2B-220-3
Gart	291.2.203	Blacktech	2C 21 P12
Goodyear	2B9-700		

## VEHICLE APPLICATION

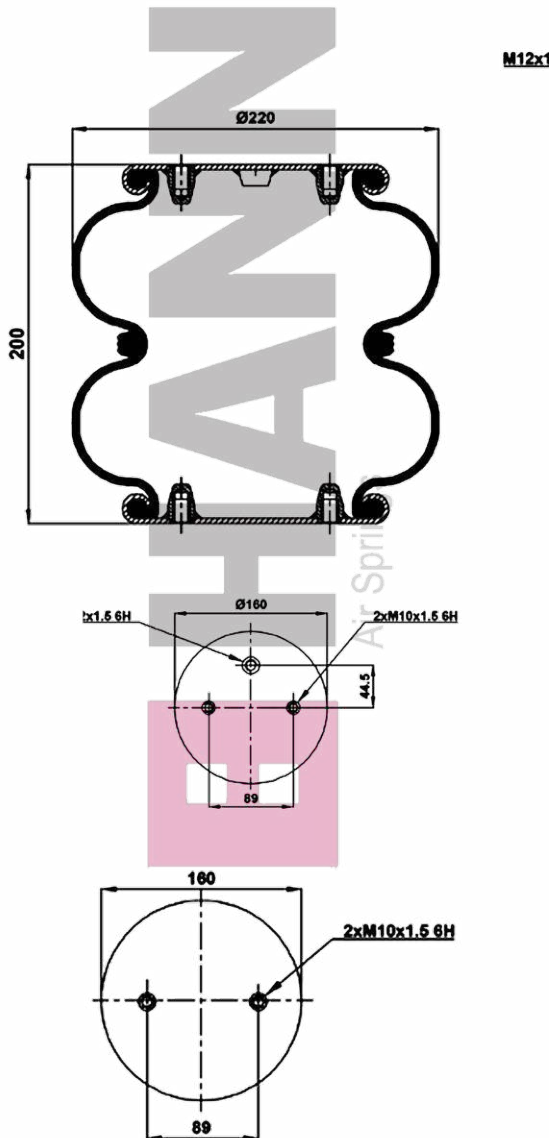


**Vehicle Model:**  
Scania 3-Serie, SAF, Kögel

**HANN No: H03.2211.P12**

Convoluted Air Spring

**TECHNICAL DRAWING**



**PRODUCT DETAILS**



**Product Type:**  
Convoluted Air Spring



**Dimensions:**  
80\*120\*83



**Pallet Quantity:**  
120



**Weight:**  
-

**OEM REFERENCES**

SAF

45.980.0541.92

**CROSS REFERENCES**

CONTITECH

FD 200-19

**VEHICLE APPLICATION**



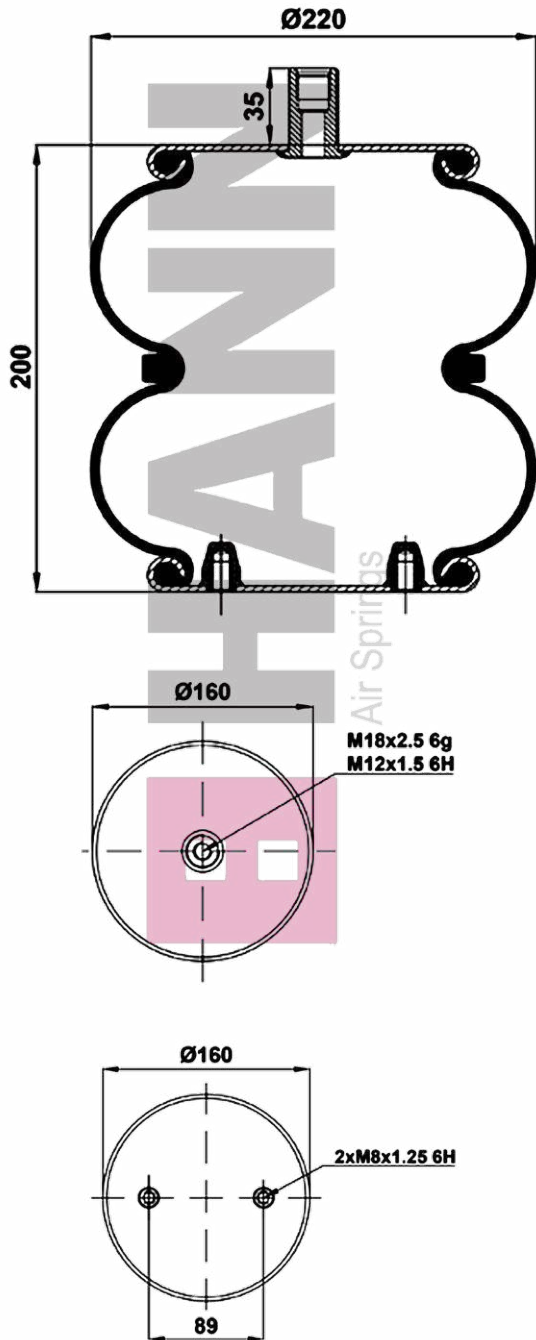
**Vehicle Model:**

Gigant tbd, SAE-SMB tbd


**HANN No: H03.2211.P13**


Convoluted Air Spring

**TECHNICAL DRAWING**



**PRODUCT DETAILS**

 **Product Type:**  
Convoluted Air Spring

 **Dimensions:**  
80x120x85

 **Pallet Quantity:**  
60

 **Weight:**  
-

**OEM REFERENCES**

RANDON	2121002778
SUSPENTECH	ST852

**CROSS REFERENCES**

FIRESTONE	20 T3 095.0353
GOODYEAR	556 2 2 8520

**VEHICLE APPLICATION**

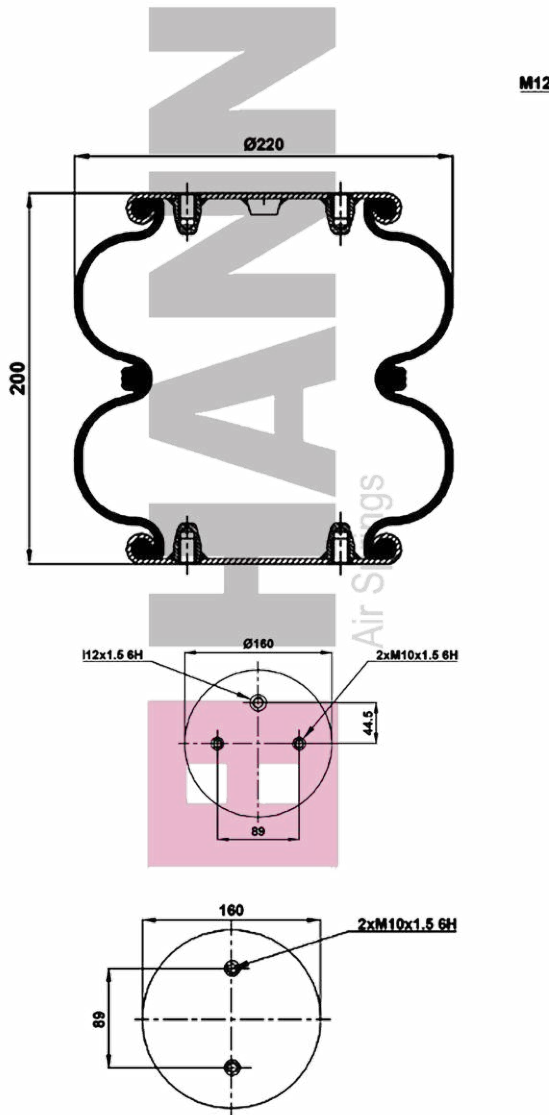


**Vehicle Model:**  
Randon


# HANN No: H03.2211.P14

Convuluted Air Spring


## TECHNICAL DRAWING



## PRODUCT DETAILS

 **Product Type:**  
Convuluted Air Spring

 **Dimensions:**  
80\*120\*83

 **Pallet Quantity:**  
60

 **Weight:**  
2.89 .

## OEM REFERENCES

HENDRICKSON	HS505613	MERCEDES	A942 320 6021
HENDRICKSON	HS506118	MERCEDES	A942 327 0801
HENDRICKSON	HS507487	MERCEDES	A 942 320 58 21
HENDRICKSON	HS508264	MERCEDES	A 942 327 06 01
HENDRICKSON	HS508345		

## CROSS REFERENCES

BLACKTECH	2C21-210P15
CONTITECH	FD 200-19 P02
FIRESTONE	20F
FIRESTONE	W01-M58-7756
GOODYEAR	2B9-234
GOODYEAR	578-92-3-211

## VEHICLE APPLICATION



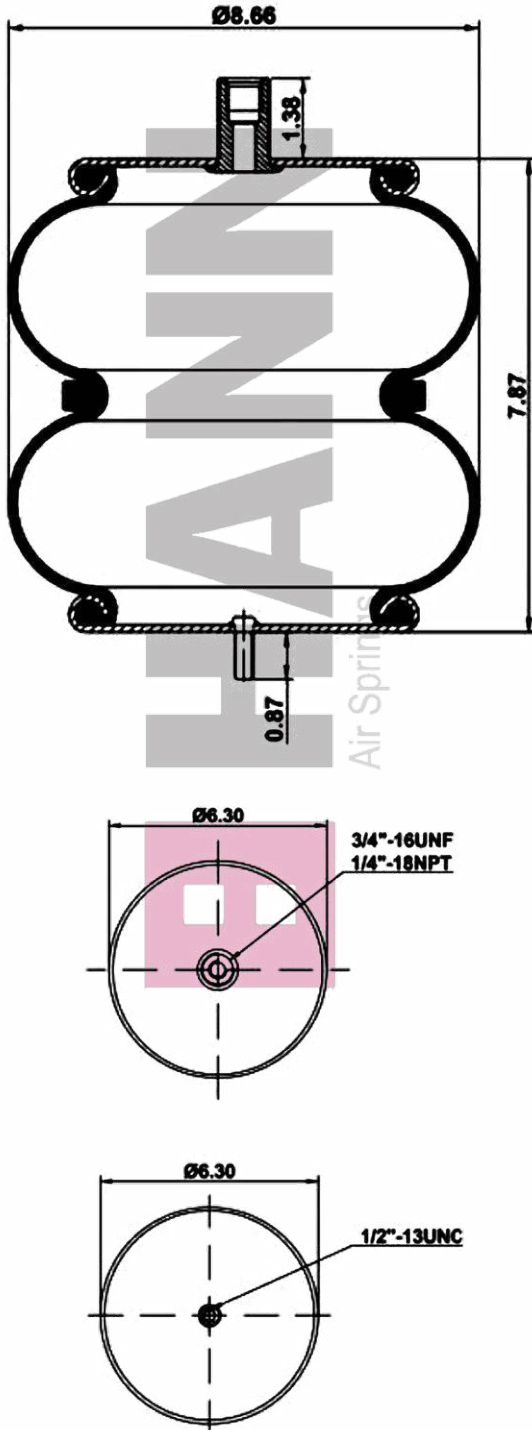
**Vehicle Model:**

Mercedes-Benz Actros 1 954, tbd, Mercedes-Benz Actros 2 934, tbd, Mercedes-Benz Actros 3 934, tbd, Mercedes-Benz Axor 944,

# HANN No: H03.2211.P15


Convoluted Air Spring

## TECHNICAL DRAWING




## PRODUCT DETAILS

 **Product Type:**  
Convoluted Air Spring

 **Dimensions:**  
80\*120\*83

 **Pallet Quantity:**  
60

 **Weight:**  
2.86

## OEM REFERENCES

NAVISTAR	2B9-490
RIDEWELL	1003586897C
SUSPENTECH	AS0058S
WATSON & CHALIN	AS0058

## CROSS REFERENCES

CONTITECH	FD 200-19 505
FIRESTONE	W01-358-6897
GOODYEAR	2B9-229
GOODYEAR	556238225
VIBRACOUSTIC	SP2B12R-6897

## VEHICLE APPLICATION

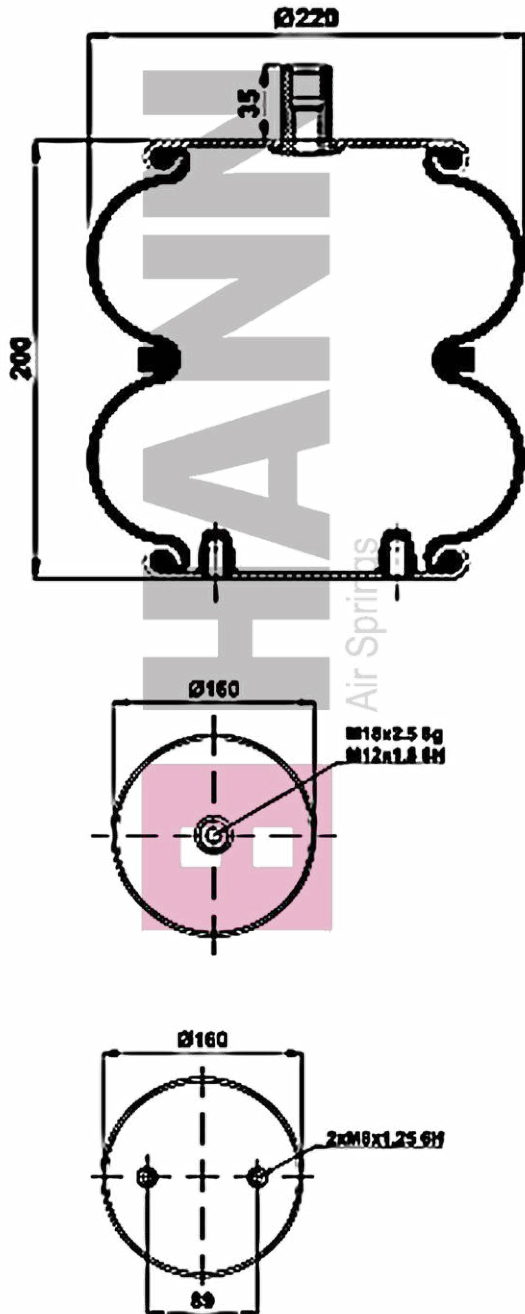


**Vehicle Model:**  
RIDEWELL RLT-230, tbd, WATSON & CHALIN SL  
Series Steer Axle, AL2200 Auxiliary,  
TL1100 Light Weight Auxiliary Air, TL2200

**HANN No: H03.2211.P16**

Convoluted Air Spring

**TECHNICAL DRAWING**



**PRODUCT DETAILS**

 **Product Type:**  
Convoluted Air Spring

 **Dimensions:**  
80\*120\*83

 **Pallet Quantity:**  
60

 **Weight:**  
-

**OEM REFERENCES**

RANDON | 2121002778

SUSPENTECH | ST852

**CROSS REFERENCES**

FIRESTONE | 20 T3 095.0353

GOODYEAR | 556 2 2 8520

**VEHICLE APPLICATION**

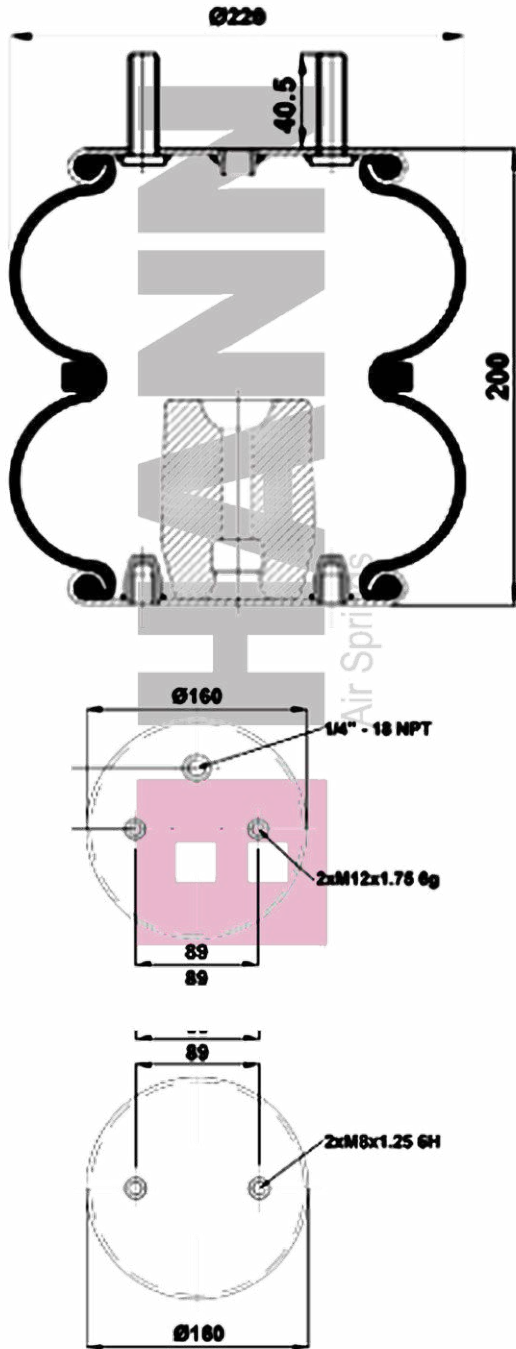


**Vehicle Model:**  
Randon tbd

# HANN No: H03.2211.P18

Convuluted Air Spring


## TECHNICAL DRAWING



## PRODUCT DETAILS

 **Product Type:**  
Convuluted Air Spring

 **Dimensions:**  
80\*120\*83

 **Pallet Quantity:**  
90

 **Weight:**  
-

## OEM REFERENCES

JOST | AD0076

SUSPENTECH | ST853

## CROSS REFERENCES

FIRESTONE | 20 T3 095.0313

GOODYEAR | 556 2 2 8521

## VEHICLE APPLICATION

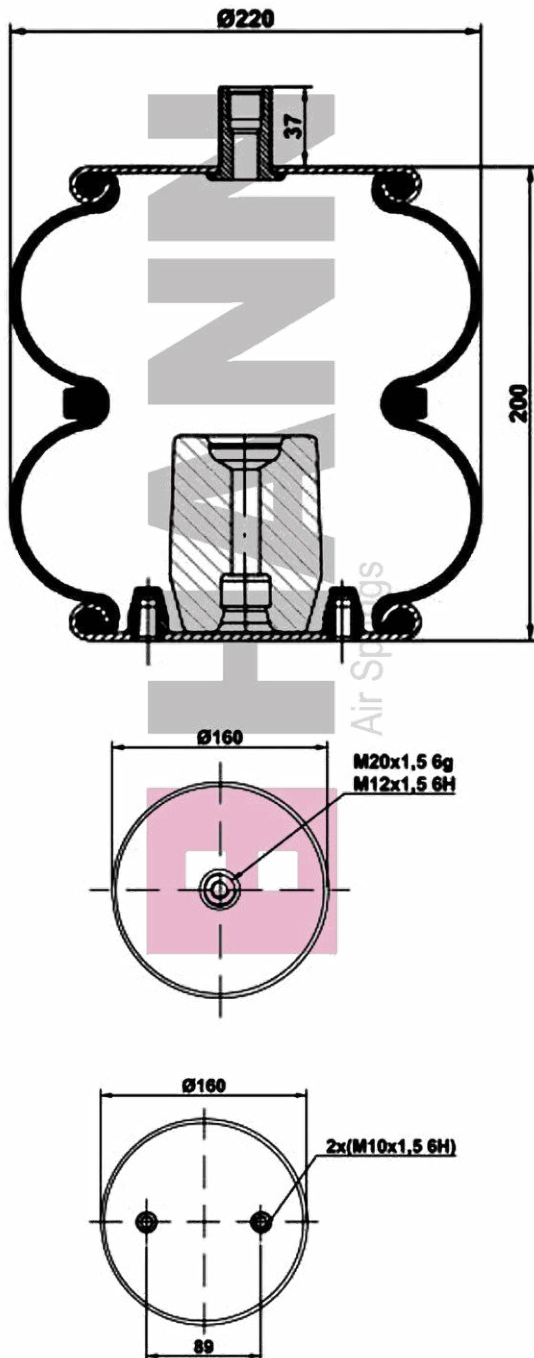


**Vehicle Model:**  
JOST tbd

# HANN No: H03.2211.P21

Convoluted Air Spring

## TECHNICAL DRAWING



## PRODUCT DETAILS

 **Product Type:**  
Convoluted Air Spring

 **Dimensions:**  
80\*120\*83

 **Pallet Quantity:**  
45

 **Weight:**  
2.92

## OEM REFERENCES

HENDRICKSON | HS507907/P

HENDRICKSON | HS507907P

## CROSS REFERENCES

PHOENIX | SP 2B 12R-12

## VEHICLE APPLICATION

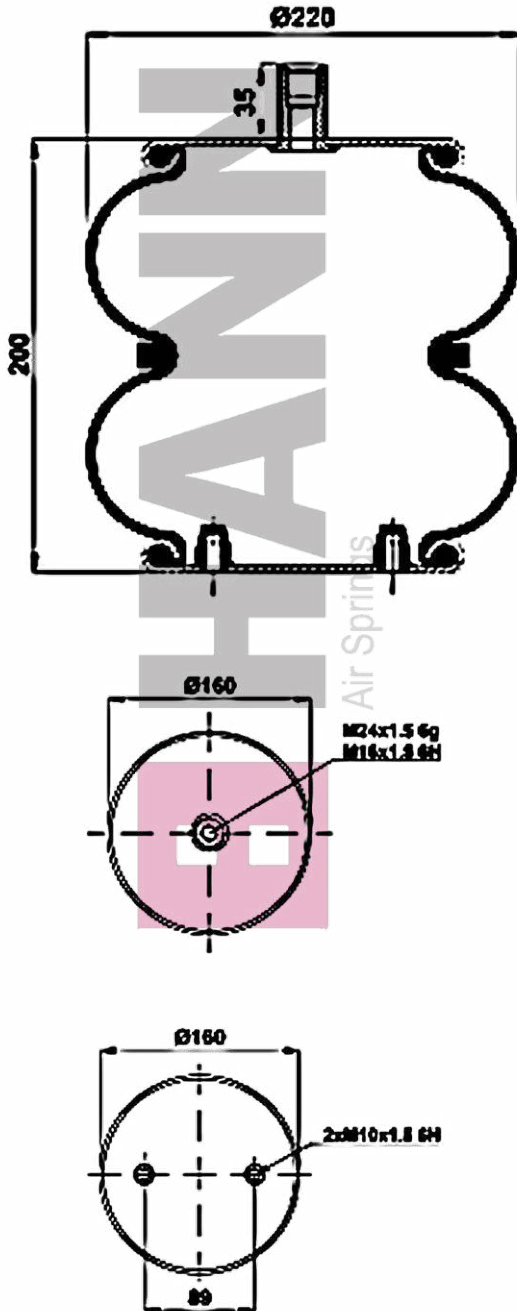


**Vehicle Model:**  
FRUEHAUF, GIGANT, HENDRICKSON tbd


# HANN No: H03.2211.P23

Convuluted Air Spring


## TECHNICAL DRAWING



## PRODUCT DETAILS

 **Product Type:**  
Convuluted Air Spring

 **Dimensions:**  
80\*120\*83

 **Pallet Quantity:**  
60

 **Weight:**  
2.89

## OEM REFERENCES

HENDRICKSON	HS505613	MERCEDES	A942 320 6021
HENDRICKSON	HS506118	MERCEDES	A942 327 0801
HENDRICKSON	HS507487	MERCEDES	A 942 320 58 21
HENDRICKSON	HS508264	MERCEDES	A 942 327 06 01
HENDRICKSON	HS508345		

## CROSS REFERENCES

BLACKTECH	2C21-210P15
CONTITECH	FD 200-19 P02
FIRESTONE	20F
FIRESTONE	W01-M58-7756
GOODYEAR	2B9-234
GOODYEAR	578-92-3-211
PHOENIX	SP 2 B 12 R-17

## VEHICLE APPLICATION

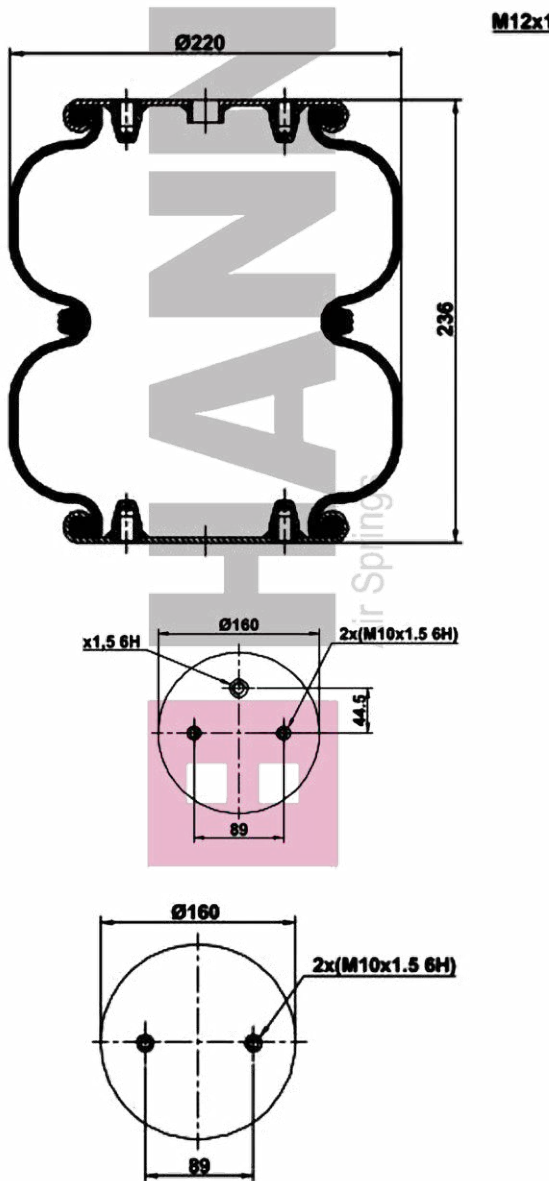


**Vehicle Model:**  
Mercedes-Benz Actros 1 954, tbd, Mercedes-Benz Actros 2 934, tbd, Mercedes-Benz Actros 3 934, tbd, Mercedes-Benz Axor 944,

# HANN No: H03.2211.P25

Convoluted Air Spring

## TECHNICAL DRAWING



## PRODUCT DETAILS



**Product Type:**  
Convoluted Air Spring



**Dimensions:**  
80x120x85



**Pallet Quantity:**  
90



**Weight:**  
3.13

## OEM REFERENCES

## CROSS REFERENCES

PHOENIX

SP2B12R-A-4

## VEHICLE APPLICATION

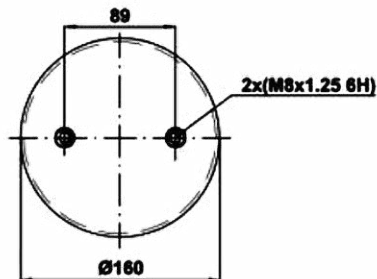
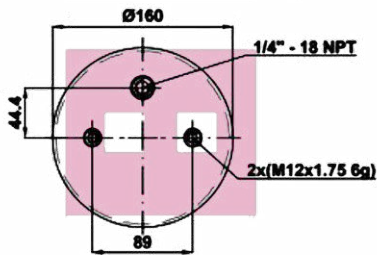
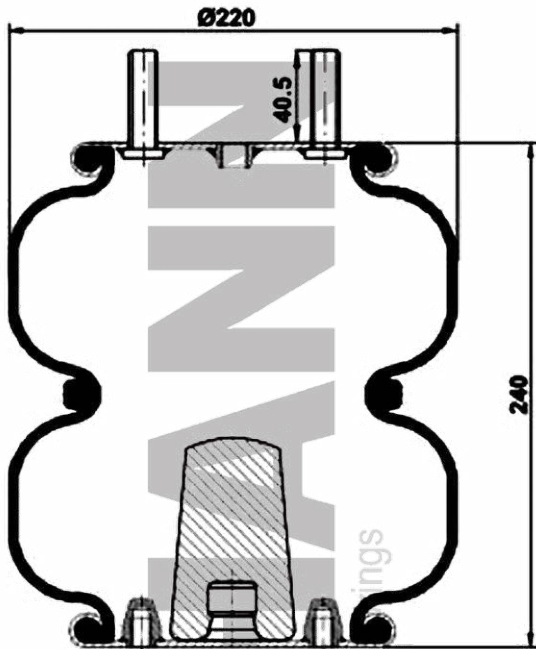


**Vehicle Model:**  
SAF

**HANN No: H03.2211.P26**

Convuluted Air Spring

**TECHNICAL DRAWING**



**PRODUCT DETAILS**

 **Product Type:**  
Convuluted Air Spring

 **Dimensions:**  
80x120x85

 **Pallet Quantity:**  
60

 **Weight:**  
-

**OEM REFERENCES**

FACCHINI | 0308501713

**CROSS REFERENCES**

CONTITECH | FD 200-25 809

FIRESTONE | 950.327

FIRESTONE | W01-095-0327

GOODYEAR | 556 2 2 8657

GOODYEAR | 578 2 3 8332

**VEHICLE APPLICATION**

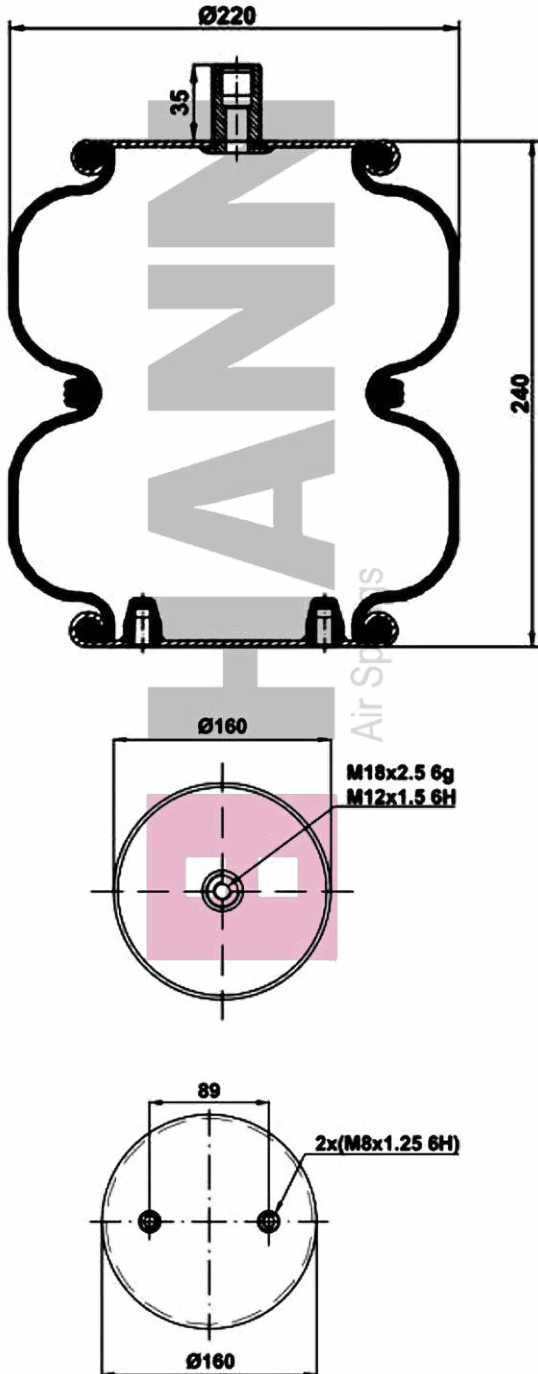


**Vehicle Model:**  
FACCHINI

# HANN No: H03.2211.P27


Convoluted Air Spring

## TECHNICAL DRAWING



## PRODUCT DETAILS

 **Product Type:**  
Convoluted Air Spring

 **Dimensions:**  
80x120x85

 **Pallet Quantity:**  
45

 **Weight:**  
3.10

## OEM REFERENCES

A Guerra	5002004238003
KLL	8085217B01
Noma	9203119

## CROSS REFERENCES

ContiTech	FD 200-22 811
Firestone	257-1 095.0439
Firestone	W01-095-0439
Goodyear	578 2 2 8736
Goodyear	578 2 3 8342
Airtech	140583

## VEHICLE APPLICATION

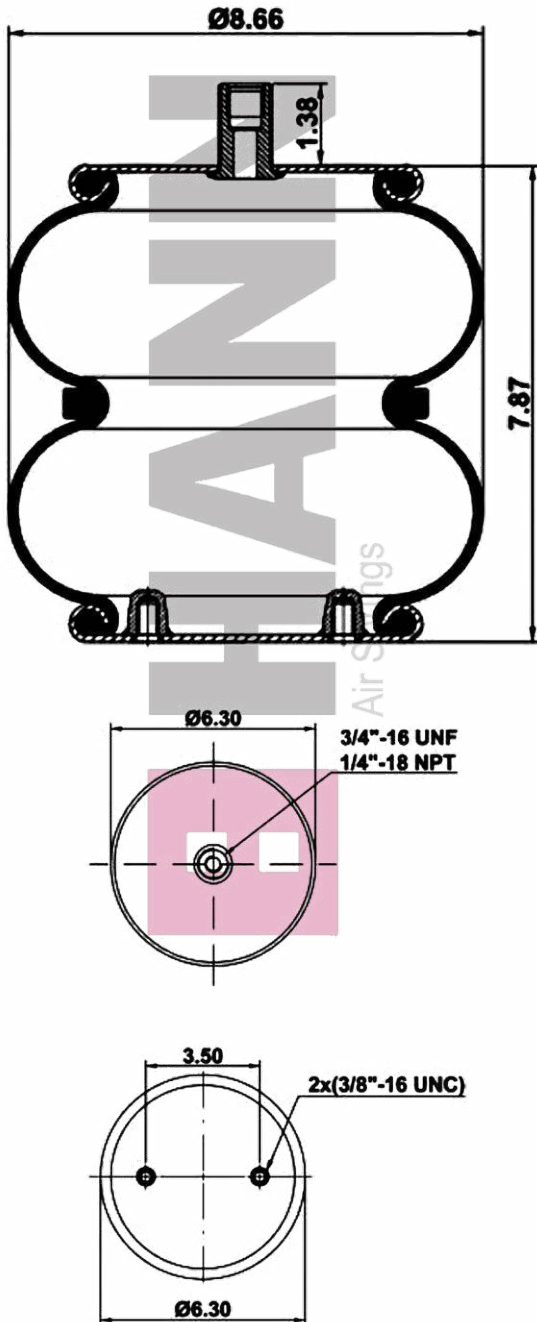


**Vehicle Model:**  
A Guerra, KLL, Noma tbd

# HANN No: H03.2211.P34


Convoluted Air Spring

## TECHNICAL DRAWING



## PRODUCT DETAILS

 **Product Type:**  
Convoluted Air Spring

 **Dimensions:**  
80x120x85

 **Pallet Quantity:**  
96

 **Weight:**  
2.86

## OEM REFERENCES

Hendrickson | 002878

Hendrickson | S-23114

## CROSS REFERENCES

ContiTech | FD 200-23A 709

Firestone | W01-358-7897 / 20F-1

Goodyear | 2B9-495

Goodyear | 578-92-3-217

Triangle | AS-4709

Vibracoustic | SP2B12RB-7897

TRP | AS78970

## VEHICLE APPLICATION

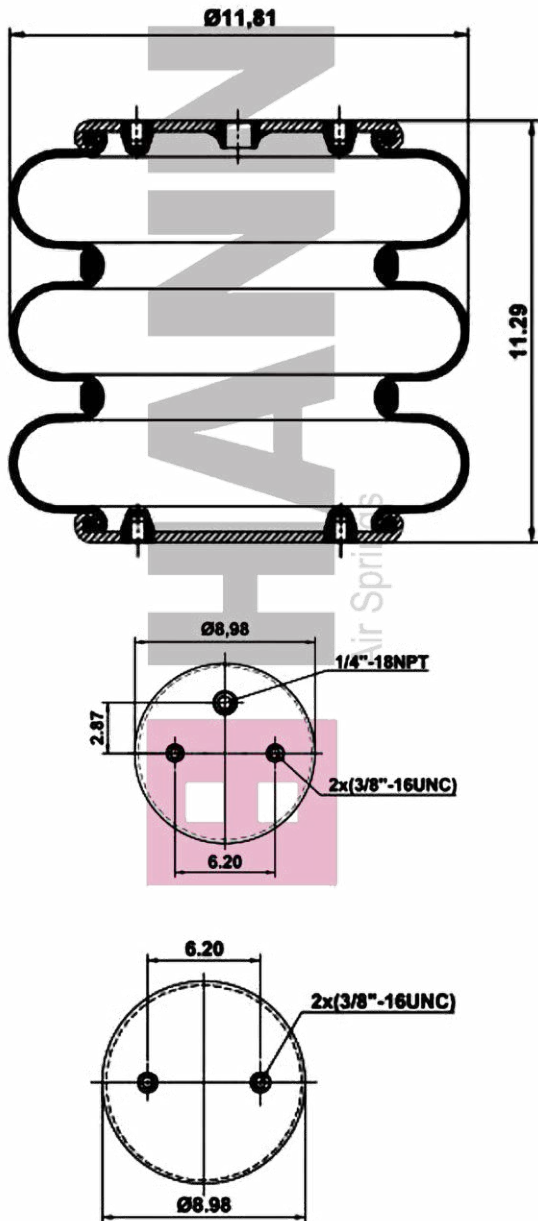


**Vehicle Model:**  
Hendrickson

**HANN No: H03.2211.P40**

Convoluted Air Spring

**TECHNICAL DRAWING**



**PRODUCT DETAILS**

 **Product Type:**  
Convoluted Air Spring

 **Dimensions:**  
80x120x85

 **Pallet Quantity:**  
-

 **Weight:**  
-

**OEM REFERENCES**

Loadguard	SC2132
Suspensions, Inc.	200620

**CROSS REFERENCES**

ContiTech	FT 330-29 503
Goodyear	3B12-304
Goodyear	578933100
VIBRACOUSTIC	SP3B22R-C503
Triangle	AS-4503
Automann	SP3B22R-C503

**VEHICLE APPLICATION**

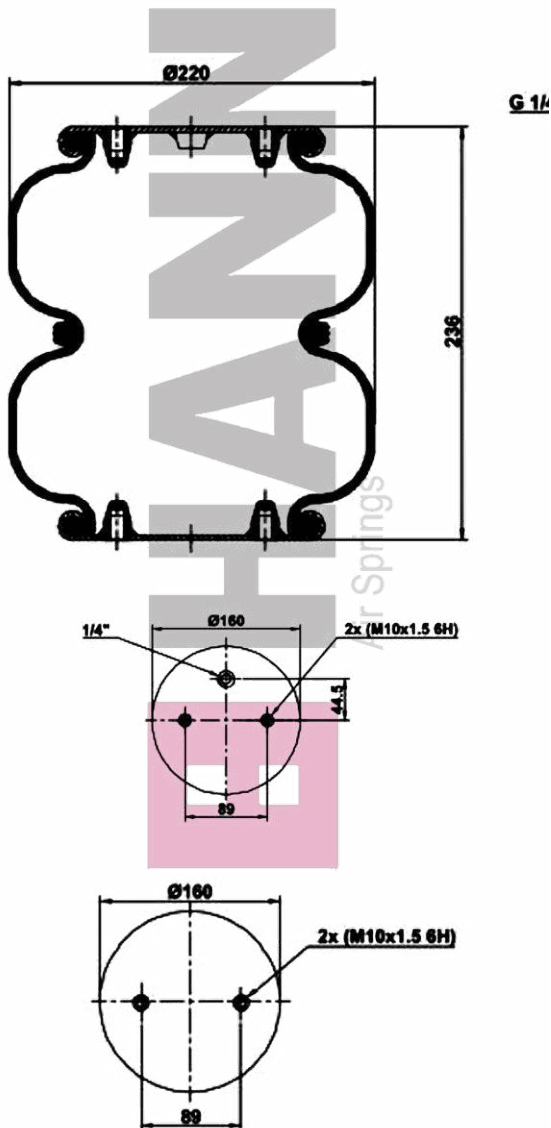


**Vehicle Model:**  
Loadguard - Suspensions

# HANN No: H03.2214.P01

Convoluted Air Spring

## TECHNICAL DRAWING




## PRODUCT DETAILS

 **Product Type:**  
Convoluted Air Spring

 **Dimensions:**  
80x120x85

 **Pallet Quantity:**  
105

 **Weight:**  
3.20

## OEM REFERENCES

JOST	2010701601	SCHMITZ	016 793
JOST	JA E 20 107 016 01	Weweler	US 06910 F
JOST	JA S 20 107 016 01	Weweler	US 06910C
KRONE	550031224	Schmitz	015 335
Daimler TAS	A 946 328 16 01	KRONE	550018467

## CROSS REFERENCES

ContiTech	FD 200-22 1/4 M10
Firestone	W01-968-7888
Firestone	W01-M58-6772
Firestone	W01-M58-7888
Gart	291.2.239
Neotec	ABT 3225 L G 02

## VEHICLE APPLICATION

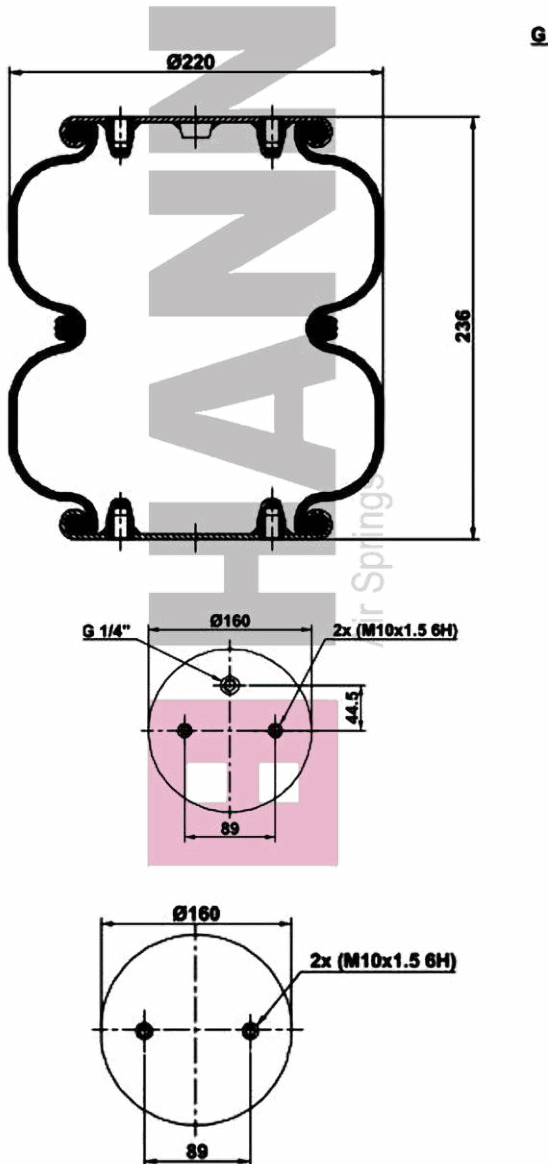


**Vehicle Model:**  
SCHMITZ - Valx

**HANN No: H03.2221.P01**


Convoluted Air Spring

**TECHNICAL DRAWING**



**PRODUCT DETAILS**

 **Product Type:**  
Convoluted Air Spring

 **Dimensions:**  
80\*120\*83

 **Pallet Quantity:**  
120

 **Weight:**  
-

**OEM REFERENCES**

GRANNING	15670	WEWELER	US 0739 4F
MERCEDES	A9463281601	WEWELER	US07394
MERCEDES	A9463282101	WEWELER	US07394C
ROR	21221356	WEWELER	US07394F
SCHMITZ	016808		

**CROSS REFERENCES**

CONTITECH	FD 200-19 G 1/4 M8
FIRESTONE	20
FIRESTONE	W01-M58-7679

**VEHICLE APPLICATION**

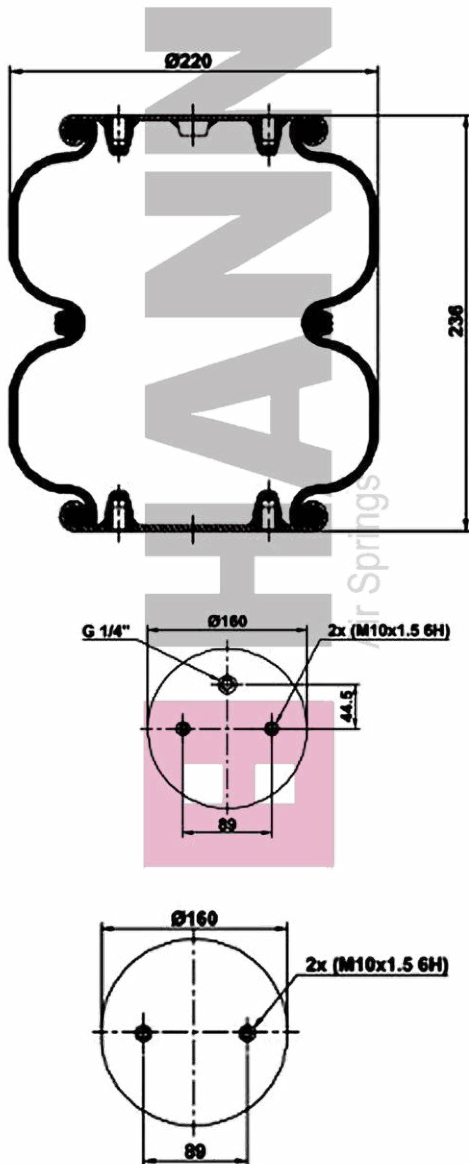


**Vehicle Model:**  
MERCEDES Steermaster, Actros MP2/MP3, Atego 2, Airmaster, FL9000 Series, FL11000 Series, SCHMITZ CARGOBULL tbd

# HANN No: H03.2221.P03

Convoluted Air Spring

## TECHNICAL DRAWING



G'

## PRODUCT DETAILS



**Product Type:**  
Convoluted Air Spring



**Dimensions:**  
80\*120\*83



**Pallet Quantity:**  
90



**Weight:**  
3.14

## OEM REFERENCES

DAF	1449272	VALKS	81 005 002
GRANNING	15670	WEWELER	US 07394
MERCEDES	A 946 328 21 01	WEWELER	US 07394C
ROR	21221356	WEWELER	US 07394F
SCHMITZ	016 808		

## CROSS REFERENCES

CF GOMMA	20L - 207776
CONTITECH	FD 200-25 1/4 M10
FIRESTONE	W01-M58-7394
GOODYEAR	2B9-269
PHOENIX	SP 2 B 12 RA-10
VIBRACOUSTIC	VSP2B12RA-10

## VEHICLE APPLICATION



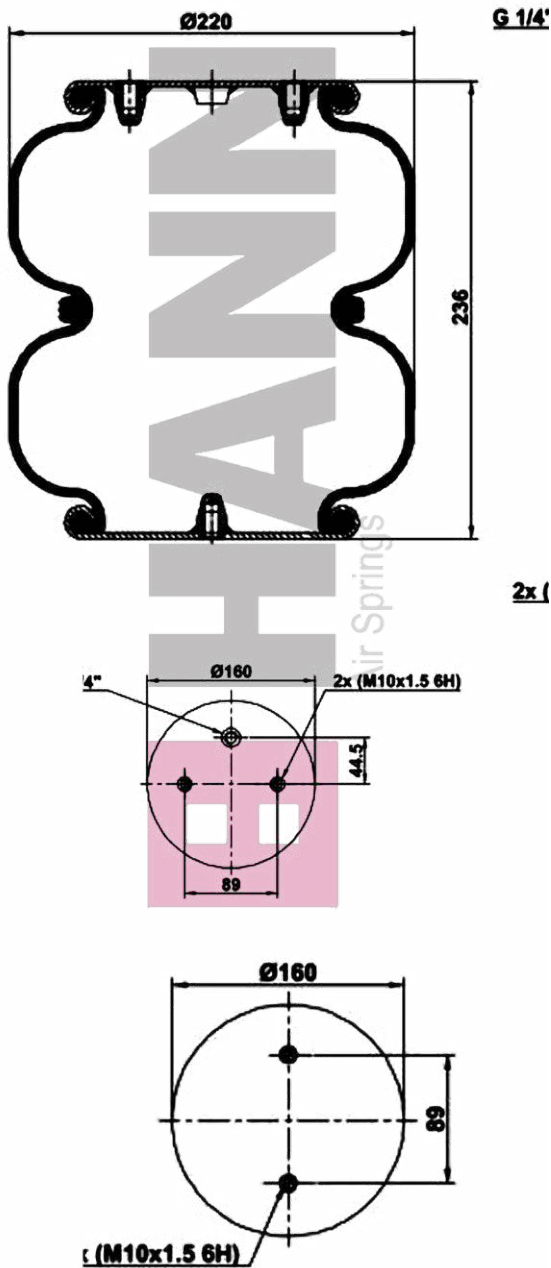
**Vehicle Model:**

DAF CF 85IV 2006-2013, CF E6 2013-2017, CF F7 2017- 2017 - 0, DAF XF XF 105 2005-2005 - 0, XF E6 2012- 2012 - 0, XF F7 2017-


**HANN No: H03.2221.P04**

Convoluted Air Spring

**TECHNICAL DRAWING**



**PRODUCT DETAILS**

 **Product Type:**  
Convoluted Air Spring

 **Dimensions:**  
80\*120\*83

 **Pallet Quantity:**  
90

 **Weight:**  
3.14 .

**OEM REFERENCES**

GRANNING	15710
SAF	1319761
SCANIA	1387283

**CROSS REFERENCES**

FIRESTONE	W01-S05-7182
-----------	--------------

**VEHICLE APPLICATION**

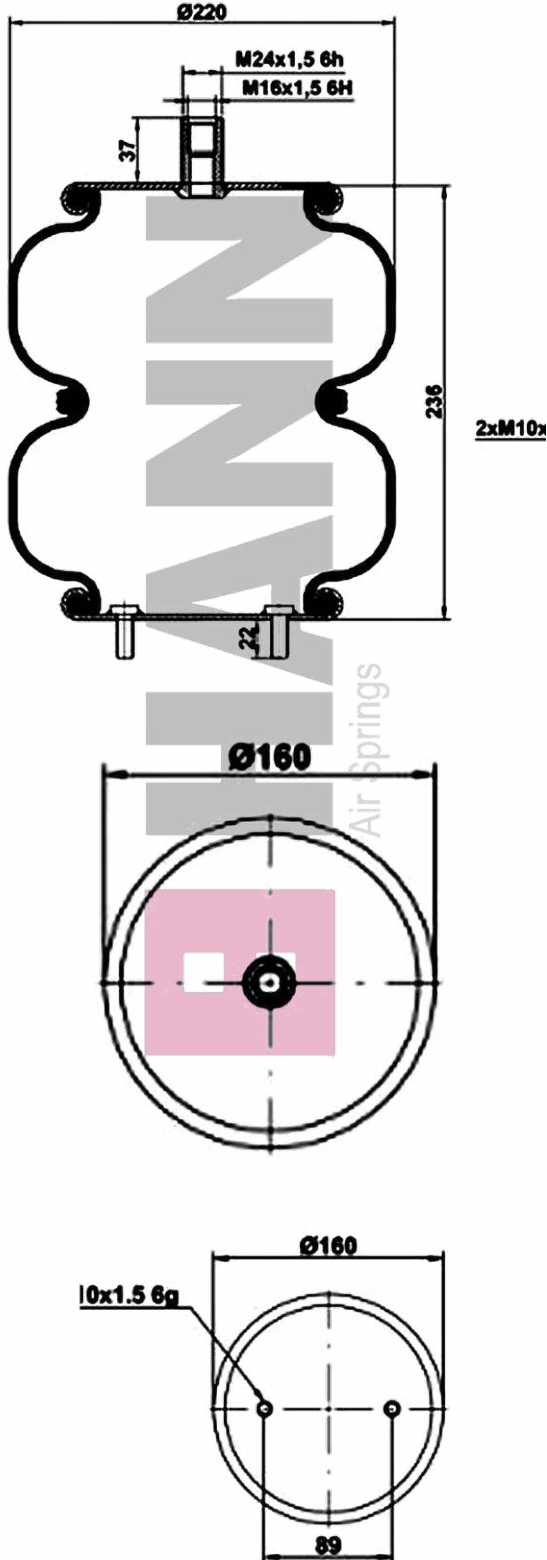


**Vehicle Model:**  
Scania tbd, GRANNING tbd


# HANN No: H03.2221.P08

Convolute Air Spring

## TECHNICAL DRAWING



## PRODUCT DETAILS

 **Product Type:**  
Convolute Air Spring

 **Dimensions:**  
80\*120\*83

 **Pallet Quantity:**  
45

 **Weight:**  
3.12

## OEM REFERENCES

RENAULT	74 20 541 504
RENAULT	74 22 573 233
VOLVO	22573233
VOLVO	20541504

## CROSS REFERENCES

CONTITECH	FD 200-25 M24 M10
GOODYEAR	2B9-703

## VEHICLE APPLICATION

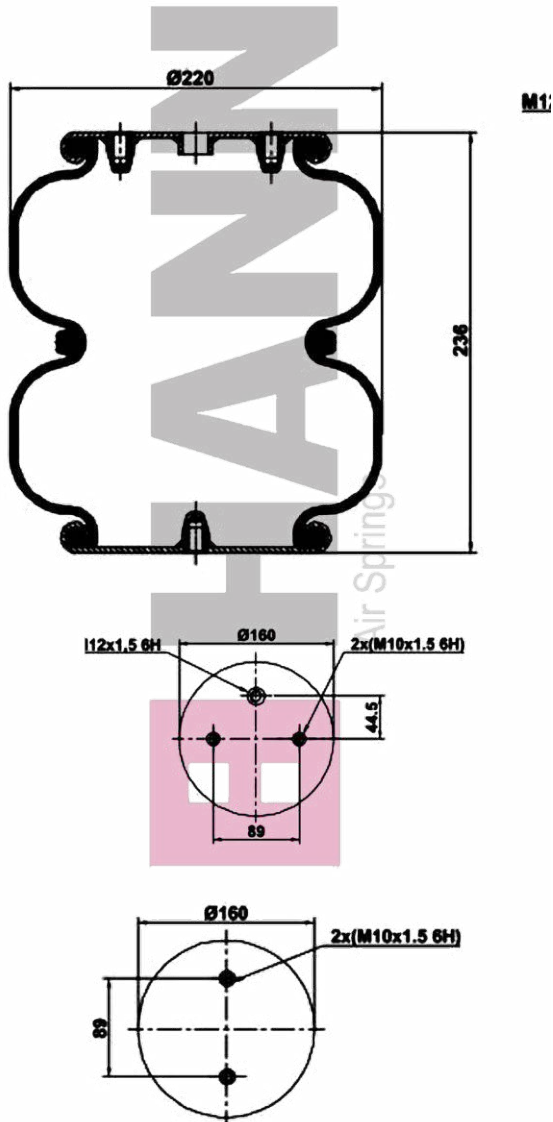


**Vehicle Model:**  
Renault Magnum Magnum DXi 12, Magnum DXi 13, Renault Premium Premium II PR, Premium II TR, Renault T-Serie T, Volvo FH FH

# HANN No: H03.2221.P22

Convoluted Air Spring


## TECHNICAL DRAWING



## PRODUCT DETAILS

 **Product Type:**  
Convoluted Air Spring

 **Dimensions:**  
80x120x85

 **Pallet Quantity:**  
90

 **Weight:**  
3.13

## OEM REFERENCES

SAF - Holland	1608
SAF - Holland	0 4229100500
SAF - Holland	0 4229100501
SAF - Holland	4.229.1005.00
SAF - Holland	4.229.1005.01

## CROSS REFERENCES

ContiTech	FD 200-25 P02
CF Gomma	207065
Dunlop F	S09204
Gart	291.2.263
Goodyear	578-92-3-206
Neotec	ABT 3225 XL D 02 X
Phoenix	SP 2 B 12 R-A-3
Vibracoustic	V SP 2 B 12 RA-3

## VEHICLE APPLICATION

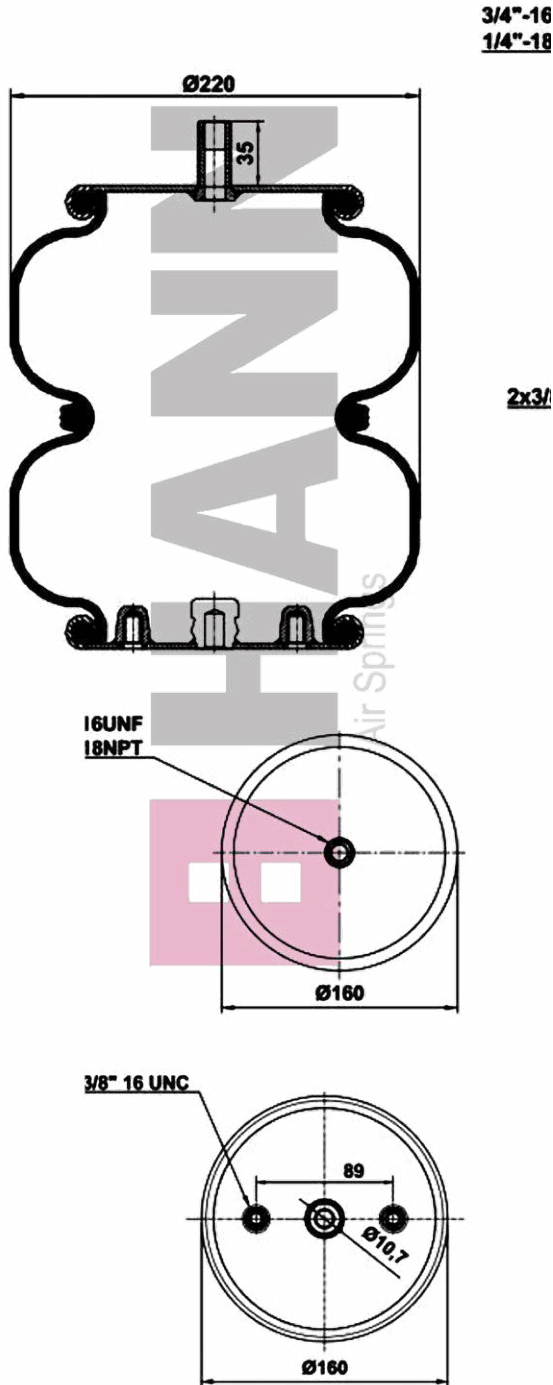


**Vehicle Model:**  
SAF

# HANN No: H03.2221.P33


Convoluted Air Spring

## TECHNICAL DRAWING



## PRODUCT DETAILS

 **Product Type:**  
Convoluted Air Spring

 **Dimensions:**  
80x120x85

 **Pallet Quantity:**  
-

 **Weight:**  
-

## OEM REFERENCES

LOADGUARD	SC2072
NAVISTAR	1685176C1
NEWAY	57006927
REYCO	12906-01
REYCO	12906-02
REYCO	1290601

## CROSS REFERENCES

CONTITECH	FD 200-25 453
FIRESTONE	20-02
FIRESTONE	W01-358-6927
GOODYEAR	2B9-218
VIBRACOUSTIC	SP2B12RA-6927

## VEHICLE APPLICATION

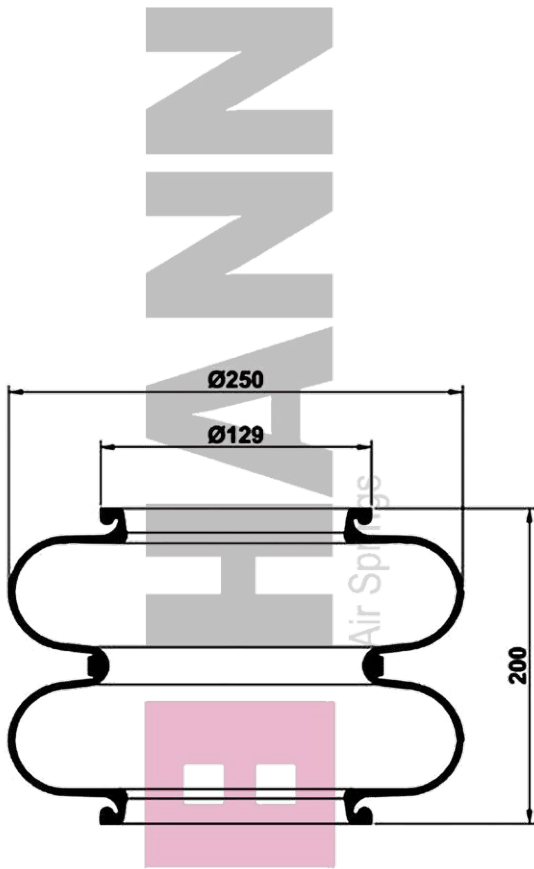


**Vehicle Model:**  
NAVISTAR - NEWAY - REYCO

**HANN No: H03.2251.M01**

Convoluted Air Spring

**TECHNICAL DRAWING**



**PRODUCT DETAILS**



**Product Type:**  
Convoluted Air Spring



**Dimensions:**  
80\*120\*83



**Pallet Quantity:**  
-



**Weight:**  
-

**OEM REFERENCES**

BPW	02.200.20.90.0	GIGANT	196 017
BPW	05.429.00.04.0	GRANNING	16051
BPW	02.200.20.80.0	IVECO	342 2652
BPW	05 429 00 040	MAN	81.43601.0023
DAF	1192203	MAN	81.44050.0093
GIGANT	700196017	ROR	MLF7076

**CROSS REFERENCES**

CONTITECH	620 N
FIRESTONE	W01-095-0219
PHOENIX	2B 15R

**VEHICLE APPLICATION**

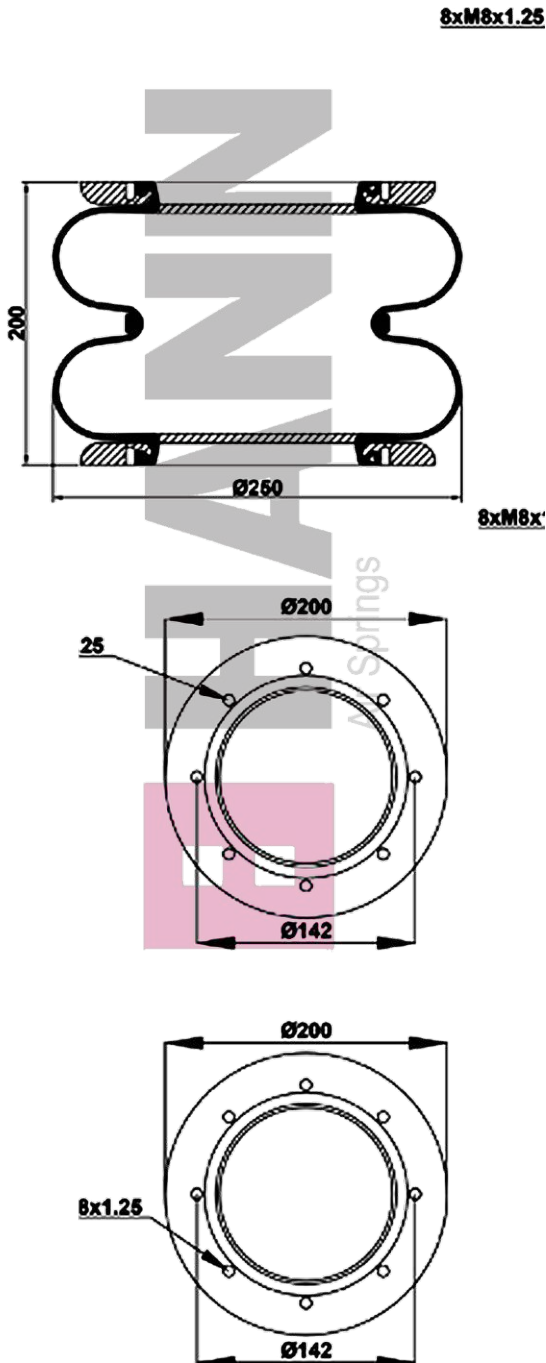


**Vehicle Model:**  
Gigant tbd, SAE-SMB tbd, DAF Bus, BPW tbd


# HANN No: H03.2252.F01


Convoluted Air Spring

## TECHNICAL DRAWING



## PRODUCT DETAILS

 **Product Type:**  
Convoluted Air Spring

 **Dimensions:**  
80\*120\*83

 **Pallet Quantity:**  
-

 **Weight:**  
-

## OEM REFERENCES

BPW	02.200.20.90.0
GRANNING	15710
MAN	81436010023
SCANIA	1387283
VOLVO	6882797
VOLVO	365461

## CROSS REFERENCES

CF GOMMA	245 BV / 92142
----------	----------------

## VEHICLE APPLICATION

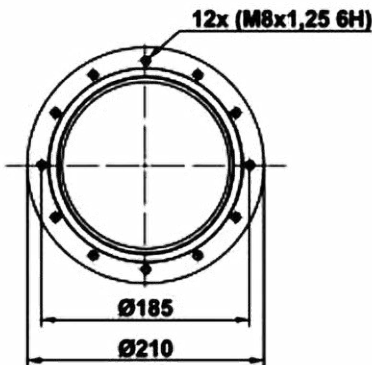
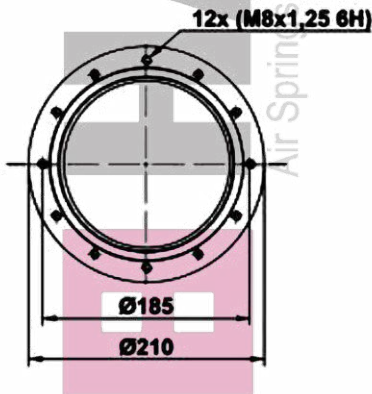
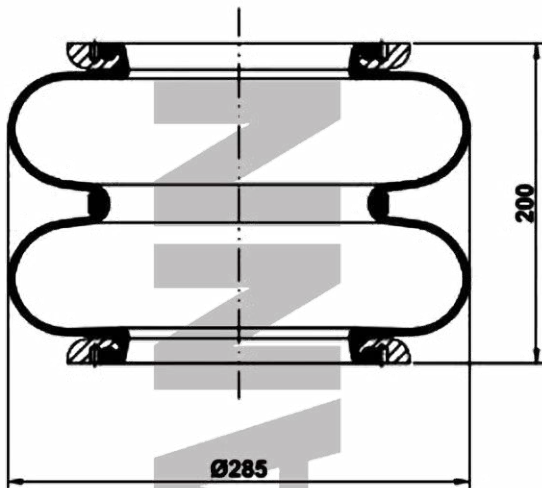


**Vehicle Model:**  
BPW tbd, MAN tbd, VOLVO tbd

**HANN No: H03.2285.F01**

Convoluted Air Spring

**TECHNICAL DRAWING**



**PRODUCT DETAILS**



**Product Type:**  
Convoluted Air Spring



**Dimensions:**  
80x120x85



**Pallet Quantity:**  
60



**Weight:**  
4.3

**OEM REFERENCES**

BPW

05.429.00.01.0

**CROSS REFERENCES**

ContiTech

608 M

CF Gomma

T26

**VEHICLE APPLICATION**

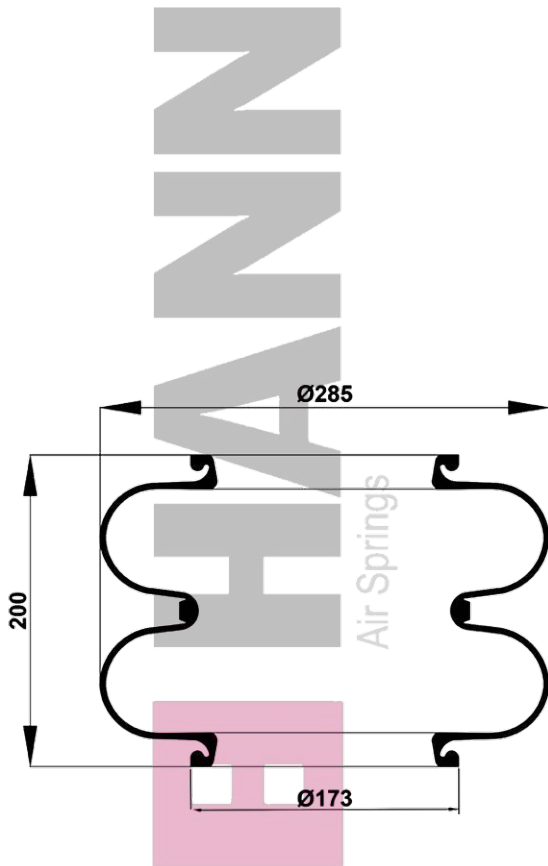


**Vehicle Model:**  
BPW - KÄSSBOHRER

**HANN No: H03.2285.M01**

Convoluted Air Spring

**TECHNICAL DRAWING**



**PRODUCT DETAILS**



**Product Type:**  
Convoluted Air Spring



**Dimensions:**  
80x120x85



**Pallet Quantity:**  
90



**Weight:**  
2.2

**OEM REFERENCES**

BPW	02.2002.05.00
BPW	0220020500
GRANNING	15923
KÄSSBOHRER	473 1003000
KÄSSBOHRER	4731024000
MAGIRUS-DEUTZ	0342 2571
MAN	81436010022
MAN	88964200217

**CROSS REFERENCES**

CONTITECH	608 N
PHOENIX	2B 20R

**VEHICLE APPLICATION**

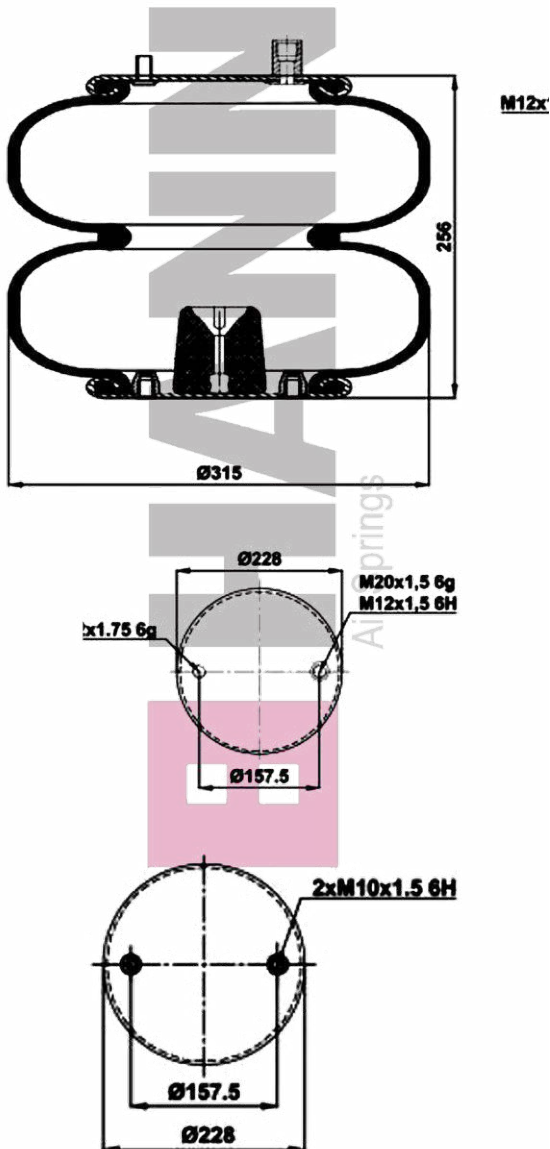


**Vehicle Model:**  
BPW - KÄSSBOHRER

**HANN No: H03.2301.P01**

Convoluted Air Spring

**TECHNICAL DRAWING**




**PRODUCT DETAILS**

 **Product Type:**  
Convoluted Air Spring

 **Dimensions:**  
80\*120\*83

 **Pallet Quantity:**  
28

 **Weight:**  
6.42

**OEM REFERENCES**

HENDRICKSON | HS 507906/P

HENDRICKSON | HS507906/P

**CROSS REFERENCES**

PHOENIX | SP2B22-Ra-2

**VEHICLE APPLICATION**

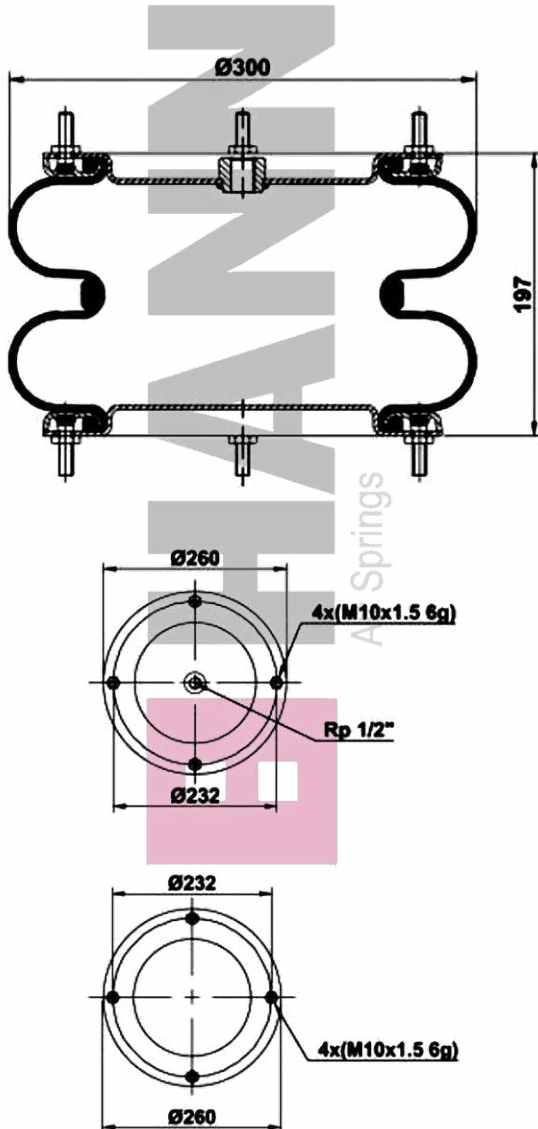


**Vehicle Model:**  
.

**HANN No: H03.2302.F01**

Convoluted Air Spring

**TECHNICAL DRAWING**



**PRODUCT DETAILS**

 **Product Type:**  
Convoluted Air Spring

 **Dimensions:**  
80\*120\*83

 **Pallet Quantity:**  
32

 **Weight:**  
6.61

**OEM REFERENCES**

GIGANT	00881202
GIGANT	881202
GRANNING	15813
WEWELER	USN 510011KD
WEWELER	USN410011KD
WEWELER	USN510011KD

**CROSS REFERENCES**

CONTITECH	FD 412-18 1/2 M10
FIRESTONE	W01-R58-4061
GOODYEAR	2B12-2452
GOODYEAR	578-92-3-2452

**VEHICLE APPLICATION**

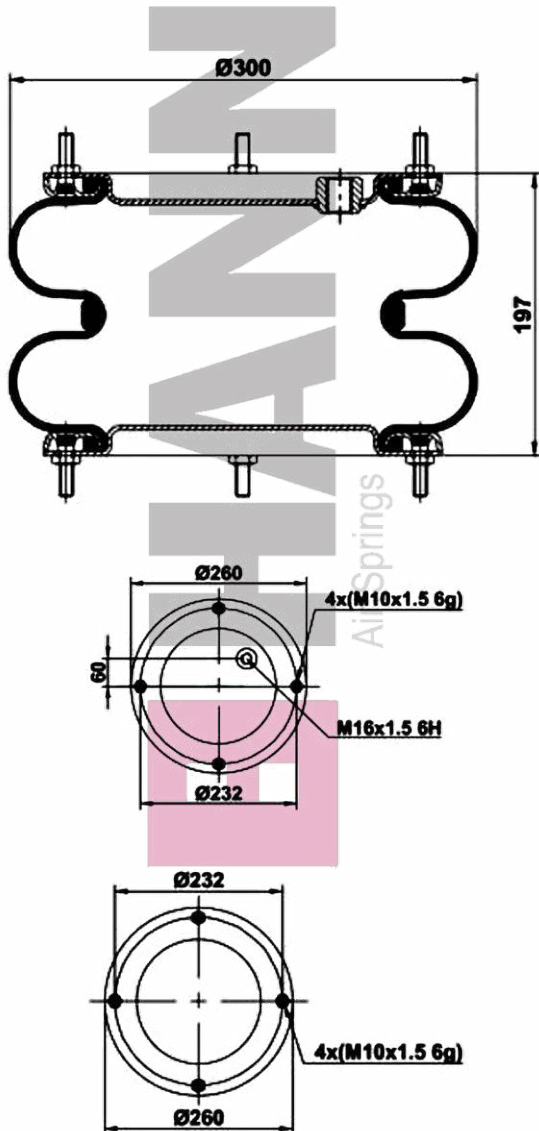


**Vehicle Model:**  
GIGANT, WEWELER tbd


# HANN No: H03.2302.F02


Convuluted Air Spring

## TECHNICAL DRAWING




## PRODUCT DETAILS

 **Product Type:**  
Convuluted Air Spring

 **Dimensions:**  
80\*120\*83

 **Pallet Quantity:**  
32

 **Weight:**  
6.54

## OEM REFERENCES

BPW	HB10350
FRUEHAUF	UJB 0985
GIGANT	70M009074
GIGANT	M009074
GRANNING	15814
SAE-SMB	M063796

## CROSS REFERENCES

CONTITECH	FD 412-18 P01
FIRESTONE	12 x 2 NB
FIRESTONE	W01-R58-4073
GOODYEAR	2B12-2457
GOODYEAR	578-92-3-2452

## VEHICLE APPLICATION

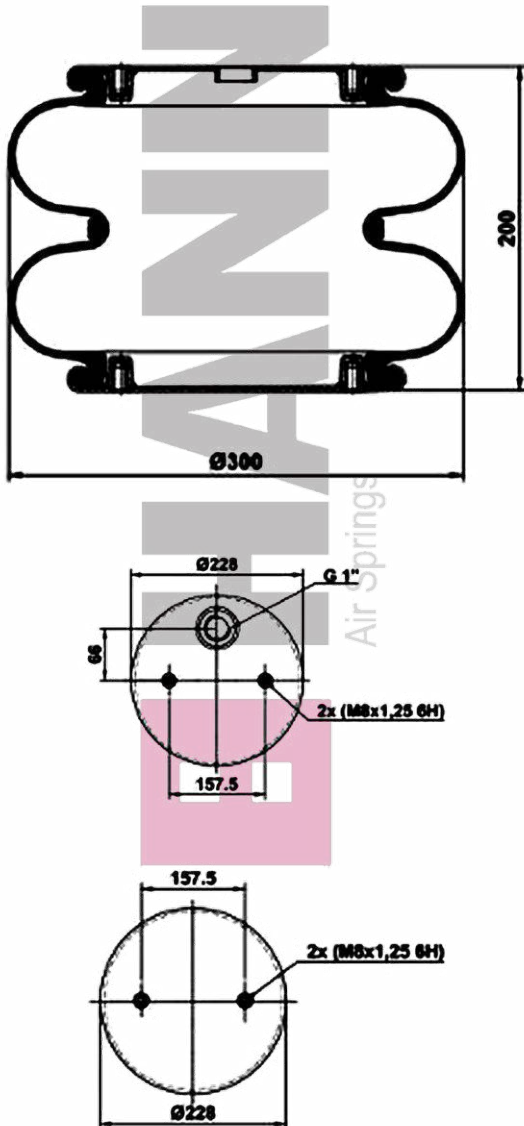


**Vehicle Model:**  
Fruehauf tbd, Gigant tbd, SAE-SMB tbd

**HANN No: H03.2303.P01**

Convuluted Air Spring

**TECHNICAL DRAWING**



**PRODUCT DETAILS**

 **Product Type:**  
Convuluted Air Spring

 **Dimensions:**  
80\*120\*83

 **Pallet Quantity:**  
54

 **Weight:**  
4.99

**OEM REFERENCES**

BPW	02.2002.19.00
HENDRICKSON	NA 1816
MAN	81436010022
SAF	2.229.1001.00

**CROSS REFERENCES**

CONTITECH	FD 330-22 1/1 M8
-----------	------------------

**VEHICLE APPLICATION**

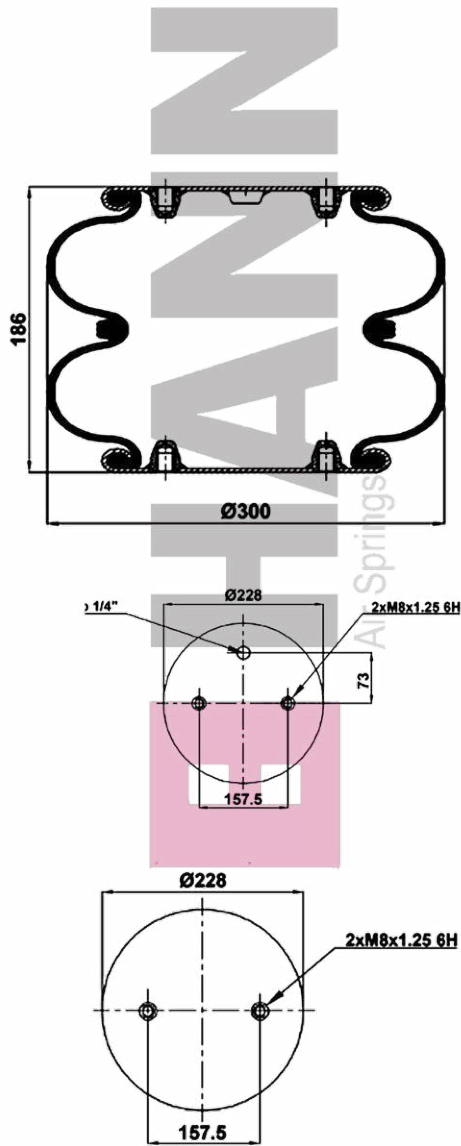


**Vehicle Model:**  
BPW tbd, Schmitz Cargobull tbd, SAF tbd

# HANN No: H03.2303.P03


Convuluted Air Spring


## TECHNICAL DRAWING




Rp 1

## PRODUCT DETAILS

 **Product Type:**  
Convuluted Air Spring

 **Dimensions:**  
80\*120\*83

 **Pallet Quantity:**  
72

 **Weight:**  
4.83

## OEM REFERENCES

GRANNING	15646
HENDRICKSON	NA 1816

## CROSS REFERENCES

CONTITECH	FD 330-22 G 1/4 - 60031
FIRESTONE	W01 M58 6381
GOODYEAR	2B12-425
PHOENIX	2B 22R

## VEHICLE APPLICATION

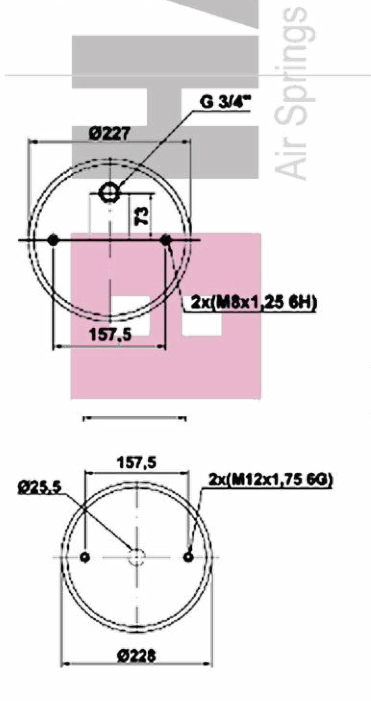
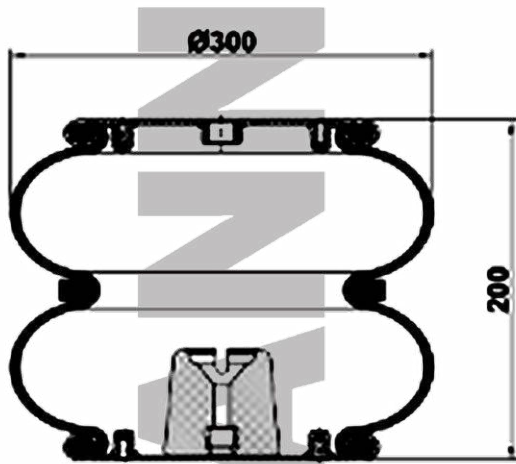


**Vehicle Model:**  
GRANNING tbd, HENDRICKSON tbd

**HANN No: H03.2303.P07**

Convoluted Air Spring

**TECHNICAL DRAWING**



**PRODUCT DETAILS**



**Product Type:**  
Convoluted Air Spring



**Dimensions:**

-



**Pallet Quantity:**

-



**Weight:**

-

**OEM REFERENCES**

**CROSS REFERENCES**

**VEHICLE APPLICATION**



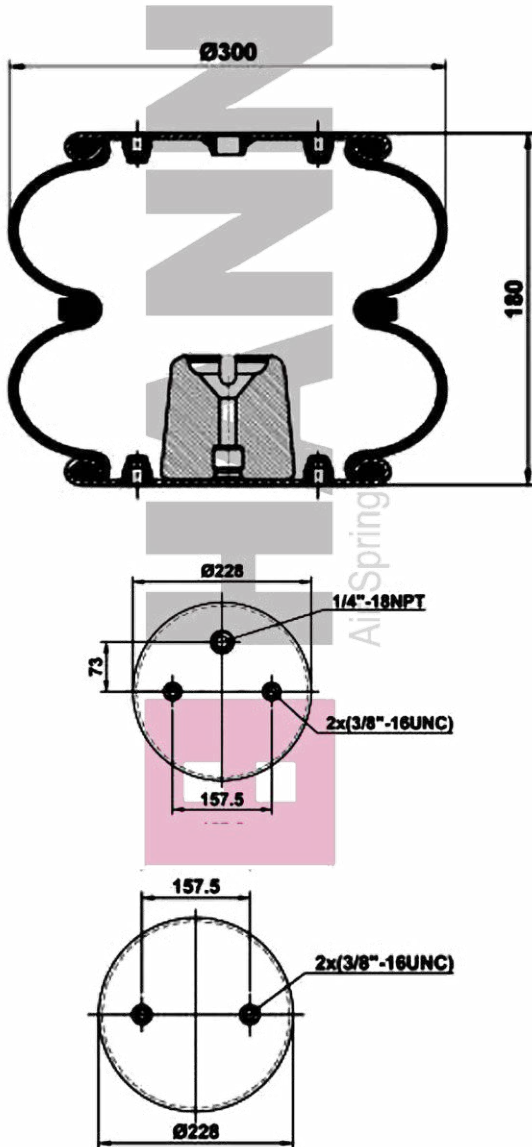
**Vehicle Model:**

-


# HANN No: H03.2303.P08


Convoluted Air Spring

## TECHNICAL DRAWING



## PRODUCT DETAILS

 **Product Type:**  
Convoluted Air Spring

 **Dimensions:**  
80\*120\*83

 **Pallet Quantity:**  
40

 **Weight:**  
5.80

## OEM REFERENCES

DAYTON	354-7400	JOST	90557016
FREIGHTLINER	1610769000	NAVISTAR	5547788C1
GRANNING	15645	NAVISTAR	554788C1
GRANNING	2726	RIDEWELL	1003587400C
HENDRICKSON	C1013	VOLVO	3130488
HENDRICKSON	S-1013		

## CROSS REFERENCES

CONTITECH	FD 330-22 313
FIRESTONE	22C
FIRESTONE	W01-358-7400
GOODYEAR	2B12-309
GOODYEAR	578923309

## VEHICLE APPLICATION

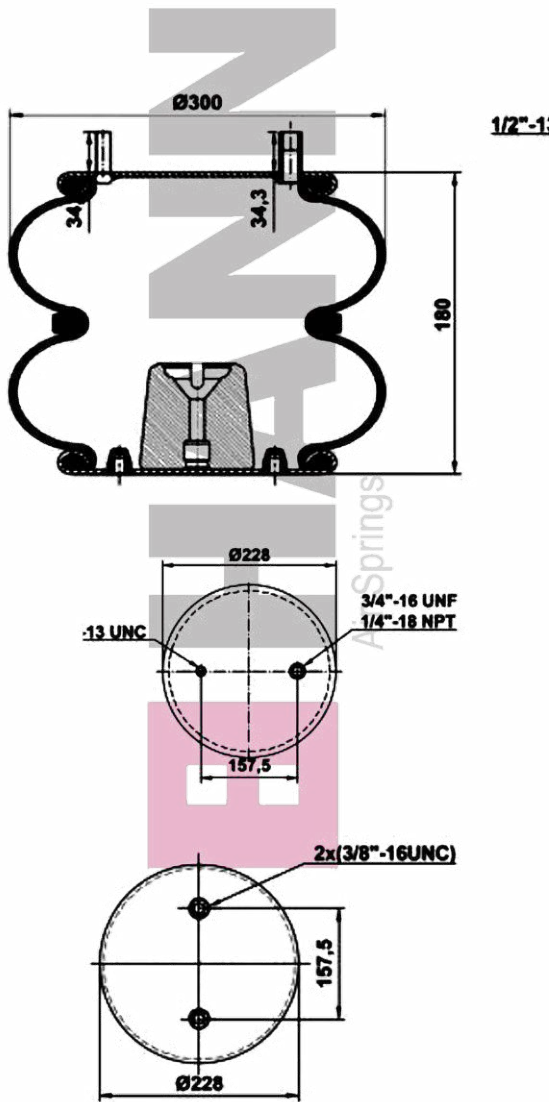


**Vehicle Model:**  
FREIGHTLINER FAS AIRLINER I, tbd,  
HENDRICKSON 1400 Series, tbd, NAVISTAR  
INTERNATIONAL tbd, NEWAY tbd, RIDEWELL


# HANN No: H03.2303.P09


Convuluted Air Spring

## TECHNICAL DRAWING



## PRODUCT DETAILS

 **Product Type:**  
Convuluted Air Spring

 **Dimensions:**  
80\*120\*83

 **Pallet Quantity:**  
-

 **Weight:**  
-

## OEM REFERENCES

DAYTON	354-7410	NEWAY	57007410
FREIGHTLINER	16-11378-000	RIDEWELL	1003587410C
FREIGHTLINER	1611378000	SUSPENTECH	AS-0136
HENDRICKSON	C13036	VOLVO	85101158
HENDRICKSON	S-10170	WATSON & CHAMBERLAIN	136

## CROSS REFERENCES

CONTITECH	FD 330-22 331
FIRESTONE	22C
FIRESTONE	W01-358-7410
GOODYEAR	2B12-406
GOODYEAR	578923309

## VEHICLE APPLICATION

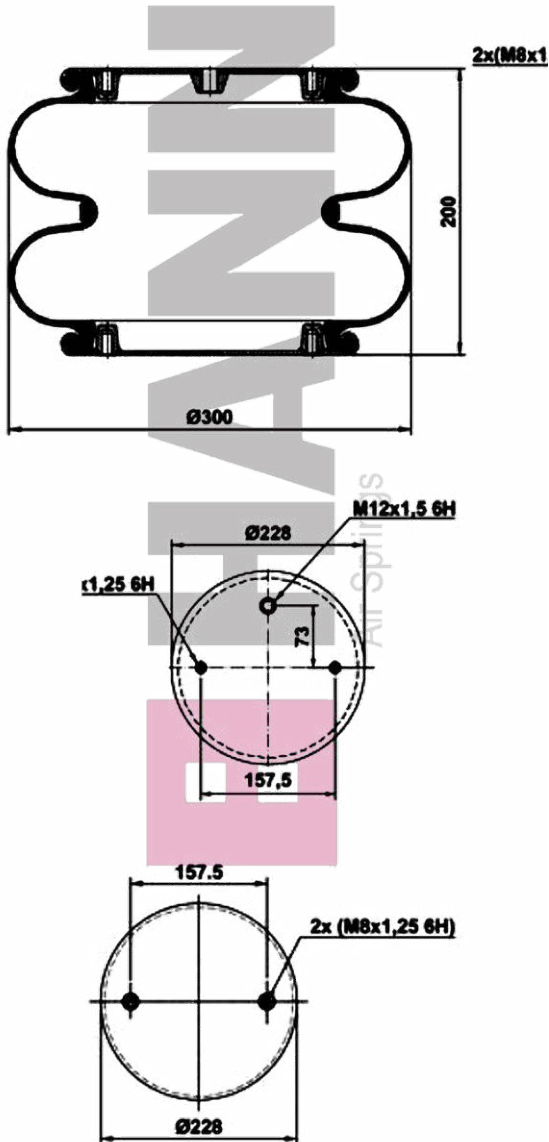


**Vehicle Model:**  
FREIGHTLINER FAS AIRLINER I, tbd,  
HENDRICKSON tbd, NAVISTAR INTERNATIONAL  
tbd, NEWAY tbd, RIDEWELL tbd, VOLVO tbd,


**HANN No: H03.2303.P16**

Convoluted Air Spring

**TECHNICAL DRAWING**




**PRODUCT DETAILS**

 **Product Type:**  
Convoluted Air Spring

 **Dimensions:**  
80x120x85

 **Pallet Quantity:**  
-

 **Weight:**  
5.65 .

**OEM REFERENCES**

BPW | 02.200.21.90.0

**CROSS REFERENCES**

ContiTech | FD 330-22 M12x1.5 M8

Firestone | W01-M58-6851

Airtech | 113100

**VEHICLE APPLICATION**

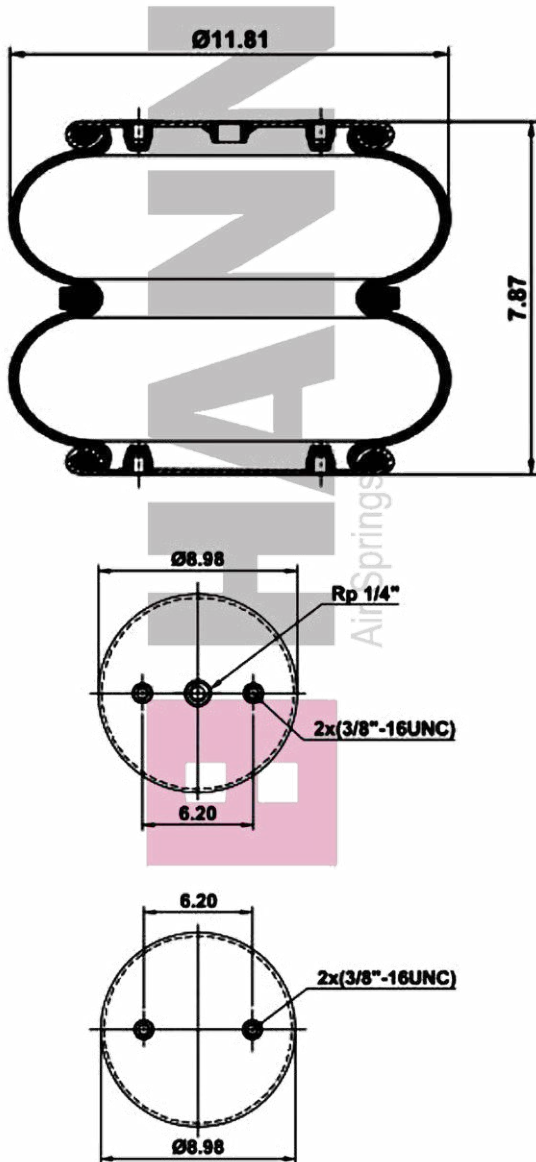


**Vehicle Model:**  
BPW

# HANN No: H03.2304.P01

Convoluted Air Spring

## TECHNICAL DRAWING




## PRODUCT DETAILS

 **Product Type:**  
Convoluted Air Spring

 **Dimensions:**  
-

 **Pallet Quantity:**  
-

 **Weight:**  
-

## OEM REFERENCES

DAYTON	354-7443	NEWAY	57007443
GRANNING	1218	RIDEWELL	1003587443C
GRANNING	1589	RIDEWELL	S2683C
HENDRICKSON	C13035	SUSPENTECH	AS-0027
HENDRICKSON	S-13035	WATSON & CHAMBERLAIN	W0027
NAVISTAR	554786C1		

## CROSS REFERENCES

CONTITECH	FD 330-30 323
FIRESTONE	22C-1.5
FIRESTONE	W01-358-7443
GOODYEAR	2B12-305

## VEHICLE APPLICATION



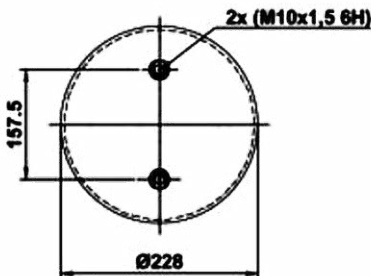
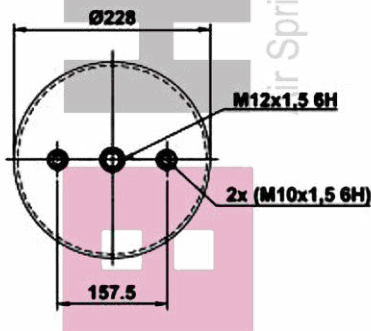
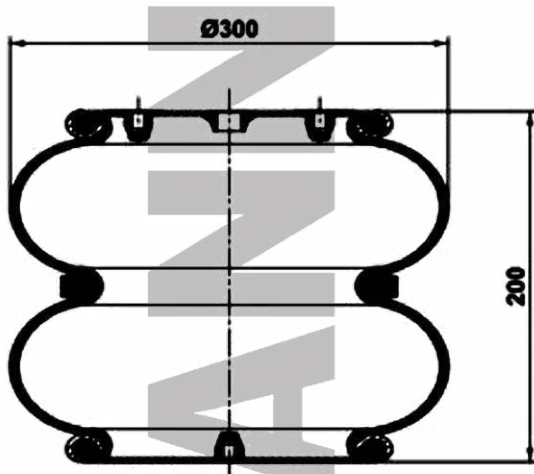
**Vehicle Model:**

-

**HANN No: H03.2304.P05**

Convoluted Air Spring

**TECHNICAL DRAWING**



**PRODUCT DETAILS**



**Product Type:**  
Convoluted Air Spring



**Dimensions:**  
80\*120\*83



**Pallet Quantity:**  
-



**Weight:**  
-

**OEM REFERENCES**

GRANNING	16276
ROR	21226068

**CROSS REFERENCES**

FIRESTONE	W01-M58-6875
-----------	--------------

**VEHICLE APPLICATION**

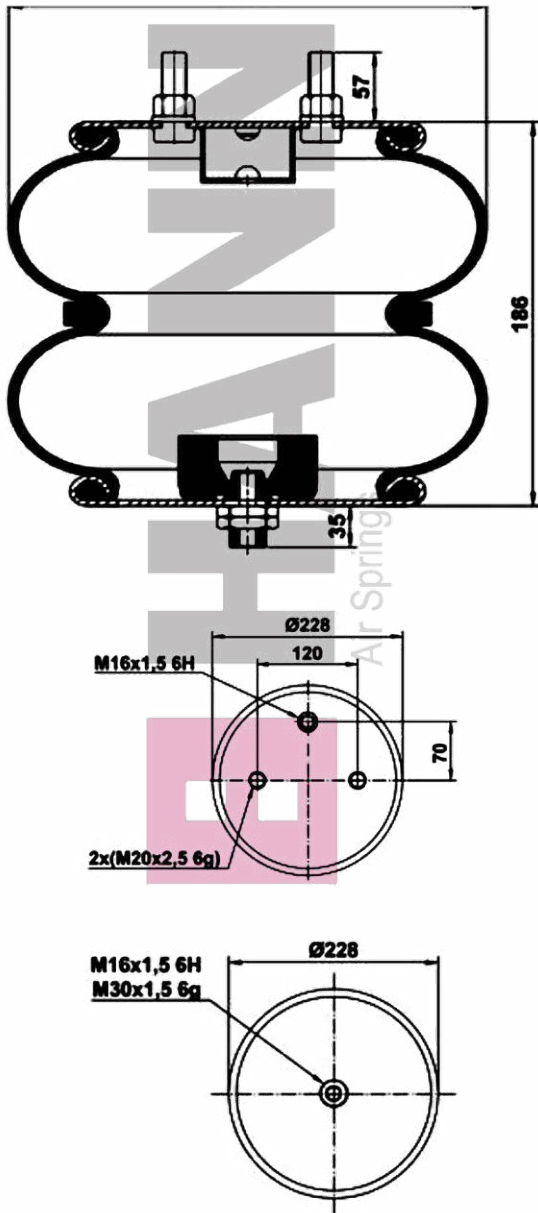


**Vehicle Model:**  
ROR-MERITOR tbd

**HANN No: H03.2306.P01**

Convoluted Air Spring

**TECHNICAL DRAWING**




**PRODUCT DETAILS**

 **Product Type:**  
Convoluted Air Spring

 **Dimensions:**  
80x120x85

 **Pallet Quantity:**  
30

 **Weight:**  
6.80

**OEM REFERENCES**

KÄSSBOHRER	4.731.045.100
KÄSSBOHRER	4.731.045.300
KÄSSBOHRER	4731045100
KÄSSBOHRER	4731045300

**CROSS REFERENCES**

PHOENIX	SP 2B 22-R1 51666
---------	-------------------

**VEHICLE APPLICATION**

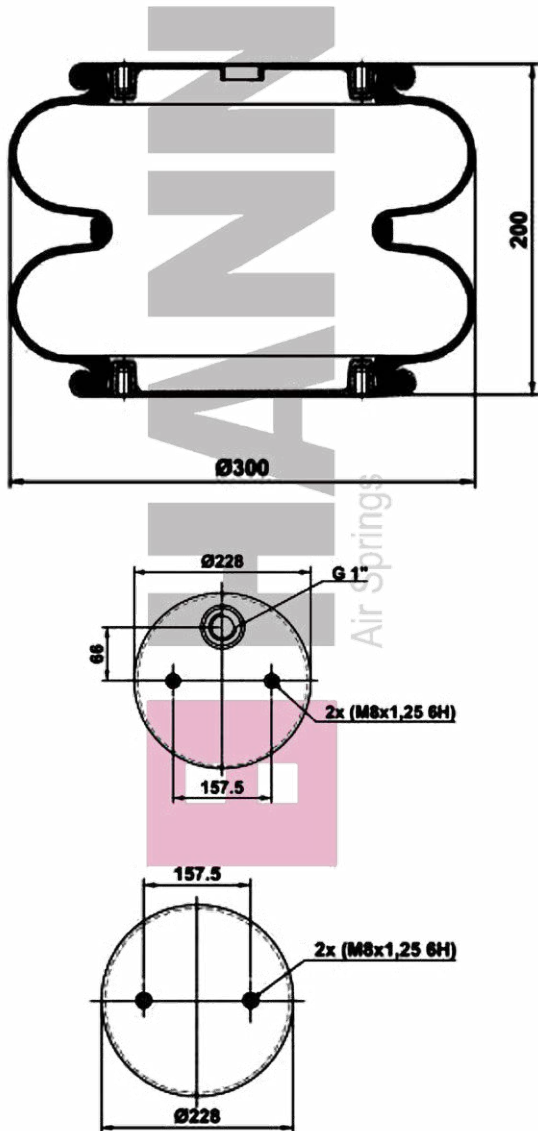


**Vehicle Model:**  
KÄSSBOHRER


# HANN No: H03.2330.P22


Convuluted Air Spring

## TECHNICAL DRAWING



## PRODUCT DETAILS

 **Product Type:**  
Convuluted Air Spring

 **Dimensions:**  
80x120x85

 **Pallet Quantity:**  
54

 **Weight:**  
4.99

## OEM REFERENCES

BPW	02.2002.19.00
HENDRICKSON	NA 1816
MAN	81436010022
SAF	2.229.1001.00

## CROSS REFERENCES

ContiTech	FD 330-22 1/1 M8
Firestone	W01-358-7180

## VEHICLE APPLICATION

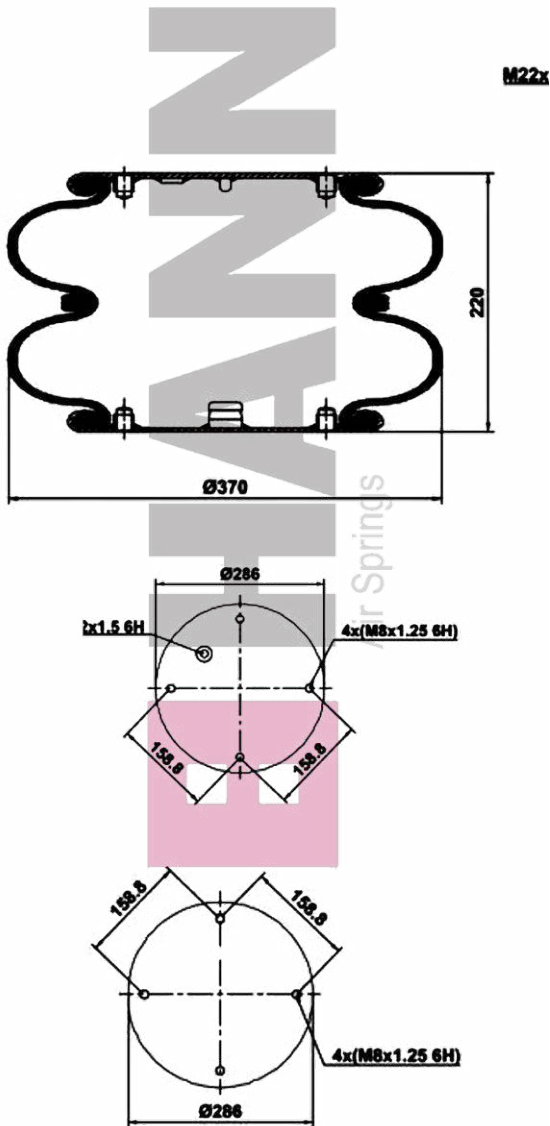


**Vehicle Model:**  
BPW - Schmitz Cargobull - SAF


# HANN No: H03.2350.P04

Convuluted Air Spring

## TECHNICAL DRAWING




## PRODUCT DETAILS

 **Product Type:**  
Convuluted Air Spring

 **Dimensions:**  
80x120x85

 **Pallet Quantity:**  
42

 **Weight:**  
6.84 .

## OEM REFERENCES

CHEREAU	01442
DAF	1 794 430

## CROSS REFERENCES

FIRESTONE	W01-M58-7501
GOODYEAR	2B14-465
GOODYEAR	578-92-3-353

## VEHICLE APPLICATION

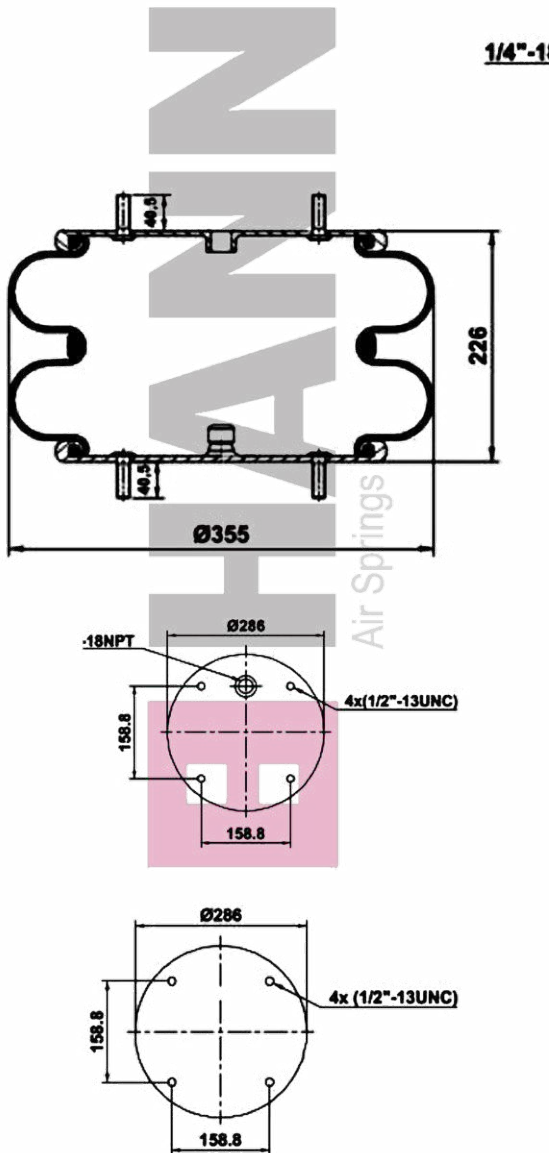


**Vehicle Model:**  
CHEREAU

# HANN No: H03.2368.P01

Convoluted Air Spring

## TECHNICAL DRAWING




## PRODUCT DETAILS

 **Product Type:**  
Convoluted Air Spring

 **Dimensions:**  
80x120x85

 **Pallet Quantity:**  
36

 **Weight:**  
7.3

## OEM REFERENCES

Hendrickson	S-12514-014	SAF Holland	90557001
Hendrickson	S-13034	Volvo	3130501
Loadguard	SC2013	Granning	6420
Navistar/Fleetrite	654800C1	Mack	57QL46
Ridewell	1003587135C	Dayton	354-7135

## CROSS REFERENCES

ContiTech	FD 530-22 311
Firestone	21D
Firestone	W01-358-7135
Goodyear	2B14-360
Goodyear	578923350
Automann	SP2B34R-7135
Triangle	AS-4311

## VEHICLE APPLICATION

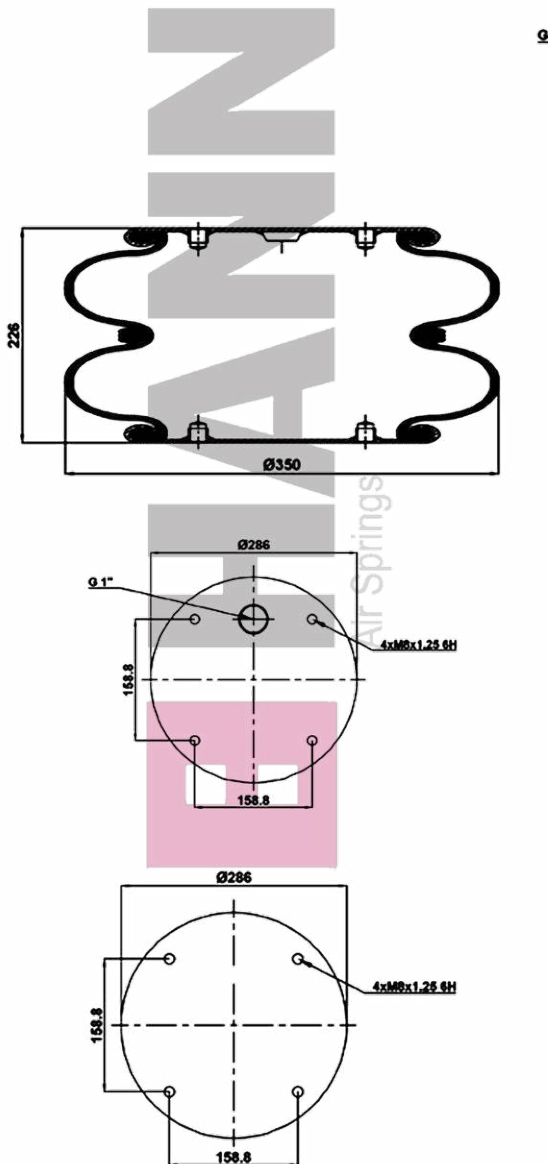


**Vehicle Model:**  
HENDRICKSON - LOAD GUARD - MACK - NAVISTAR  
- NEWAY - RIDEWELL - VOLVO

# HANN No: H03.2368.P05

Convuluted Air Spring

## TECHNICAL DRAWING




## PRODUCT DETAILS

 **Product Type:**  
Convuluted Air Spring

 **Dimensions:**  
80x120x85

 **Pallet Quantity:**  
48

 **Weight:**  
6.67 .

## OEM REFERENCES

DAF	1 307 058
DAF	1307058
GRANNING	16022

## CROSS REFERENCES

CONTITECH	FD 530-22 1/1 M8
FIRESTONE	22.5x2
FIRESTONE	W01-M58-6112
GOODYEAR	2B14-354

## VEHICLE APPLICATION

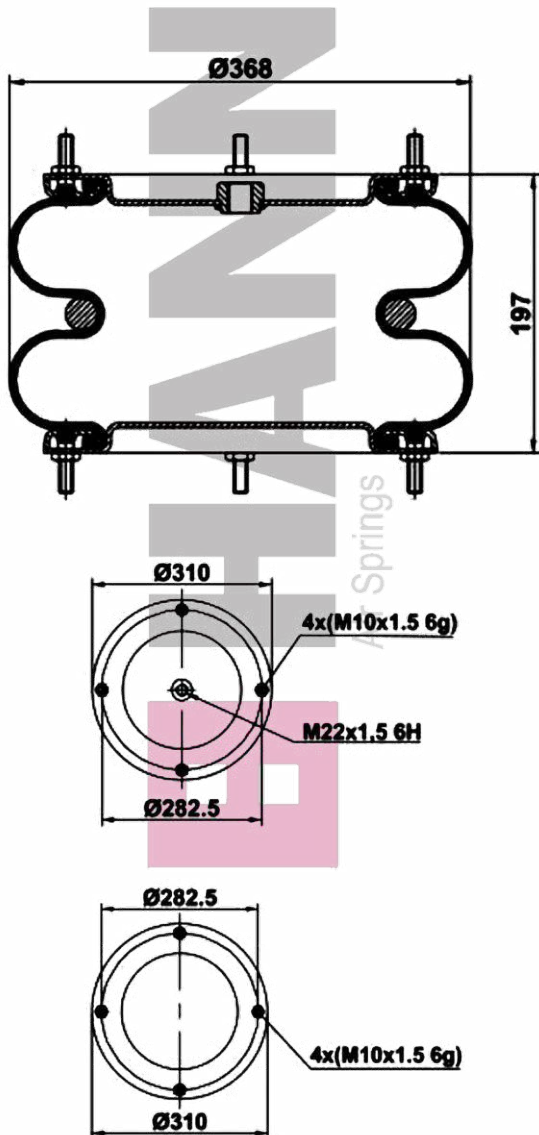


**Vehicle Model:**  
DAF - CF / XF


# HANN No: H03.2370.F01

Convoluted Air Spring

## TECHNICAL DRAWING



## PRODUCT DETAILS

 **Product Type:**  
Convoluted Air Spring

 **Dimensions:**  
80x120x85

 **Pallet Quantity:**  
-

 **Weight:**  
9.14 .

## OEM REFERENCES

GIGANT	700881205
GIGANT	881205
WEWELER	USN 510010DX

## CROSS REFERENCES

CONTITECH	FD 614-26 / 66013
FIRESTONE	14.5x2 / W01-R58-4064
GOODYEAR	2B14-2650

## VEHICLE APPLICATION

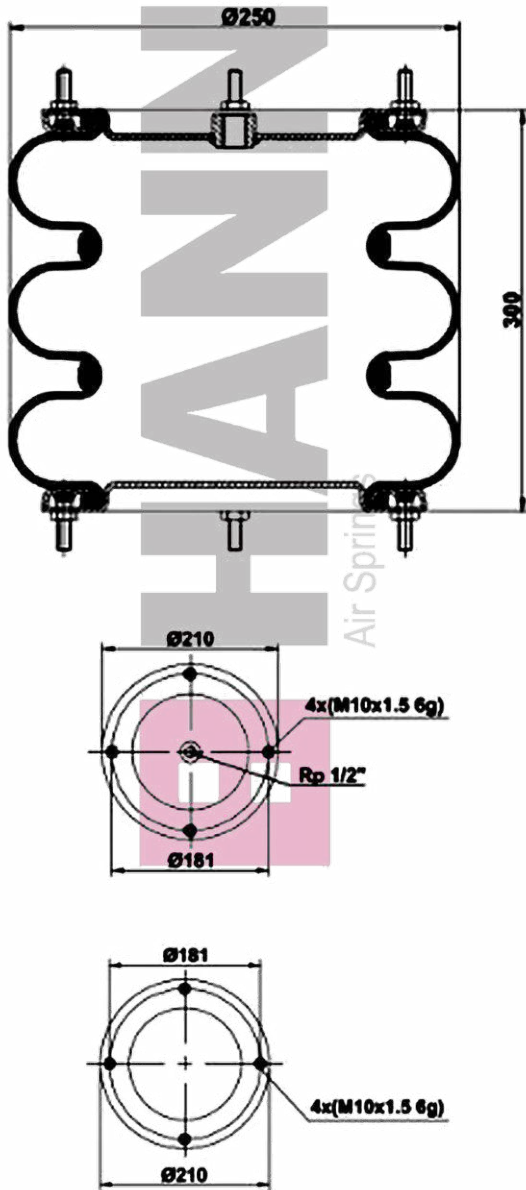


**Vehicle Model:**  
Gigant - SAE-SMB


**HANN No: H03.3251.F01**


Convoluted Air Spring

**TECHNICAL DRAWING**



**PRODUCT DETAILS**

 **Product Type:**  
Convoluted Air Spring

 **Dimensions:**  
80\*120\*83

 **Pallet Quantity:**  
18

 **Weight:**  
5.47

**OEM REFERENCES**

GRANNING | 15809

WEWELER | USN 510016D

**CROSS REFERENCES**

CONTITECH | FT 210-32

FIRESTONE | W01-R58-4059

**VEHICLE APPLICATION**

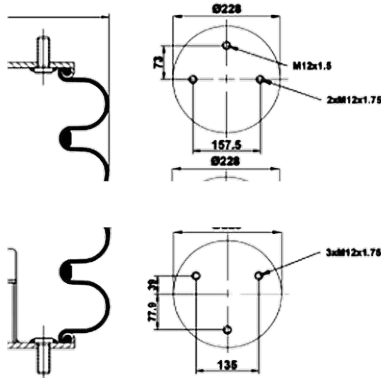
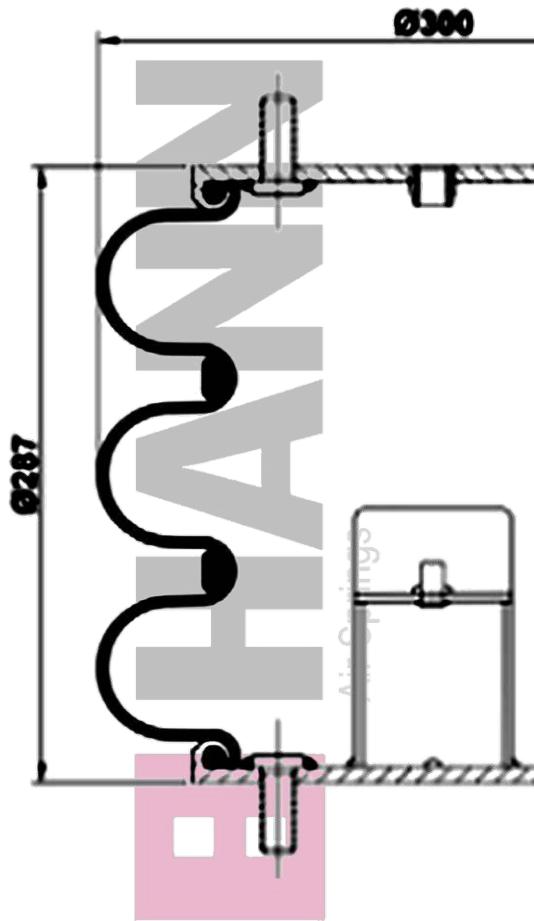


**Vehicle Model:**  
WEWELER tbd


**HANN No: H03.3301.P01**

Convolute Air Spring

**TECHNICAL DRAWING**



**PRODUCT DETAILS**

 **Product Type:**  
Convolute Air Spring

 **Dimensions:**  
80\*120\*83

 **Pallet Quantity:**  
18

 **Weight:**  
-

**OEM REFERENCES**

GRANNING	17017
SAF	3.228.1002.01

**CROSS REFERENCES**

CONTITECH	FT 330-29 P01
-----------	---------------

**VEHICLE APPLICATION**

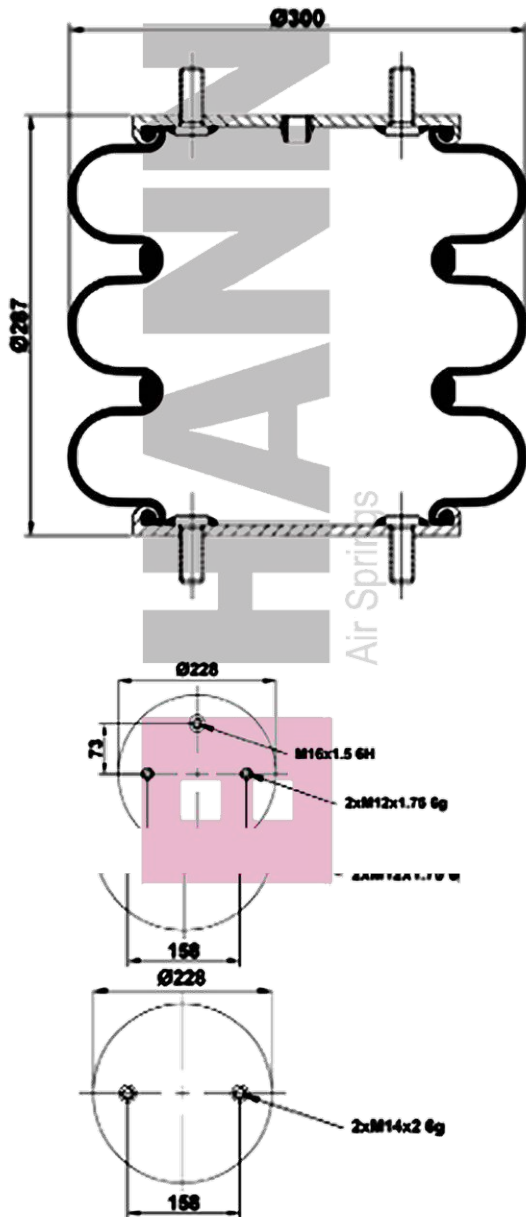


**Vehicle Model:**  
SAF tbd, GRANNING tbd

# HANN No: H03.3301.P02

Convoluted Air Spring

## TECHNICAL DRAWING



## PRODUCT DETAILS

 **Product Type:**  
Convoluted Air Spring

 **Dimensions:**  
80\*120\*83

 **Pallet Quantity:**  
18

 **Weight:**  
-

## OEM REFERENCES

CARDI | 580 53200

GRANNING | 17040

## CROSS REFERENCES

BLACKTECH | 3C 301-250 P08

CF GOMMA | 93410

## VEHICLE APPLICATION

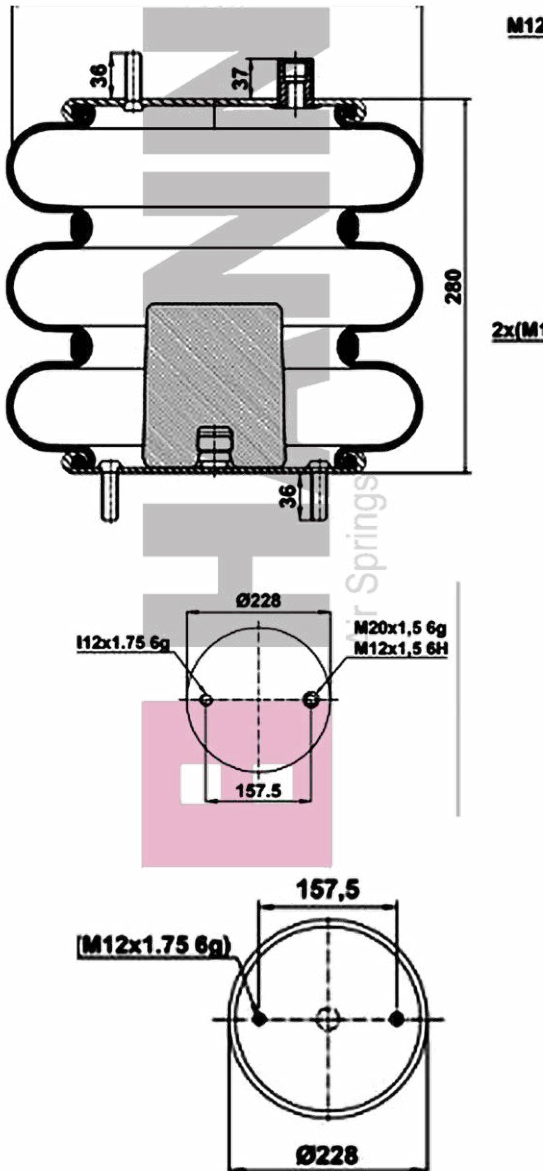


**Vehicle Model:**  
Granning tbd, ROLFO tbd


**HANN No: H03.3301.P03**

Convoluted Air Spring

**TECHNICAL DRAWING**



**PRODUCT DETAILS**

 **Product Type:**  
Convoluted Air Spring

 **Dimensions:**  
80\*120\*83

 **Pallet Quantity:**  
18

 **Weight:**  
-

**OEM REFERENCES**

GRANNING | 15673

**CROSS REFERENCES**

FIRESTONE | W01-358-8017

**VEHICLE APPLICATION**

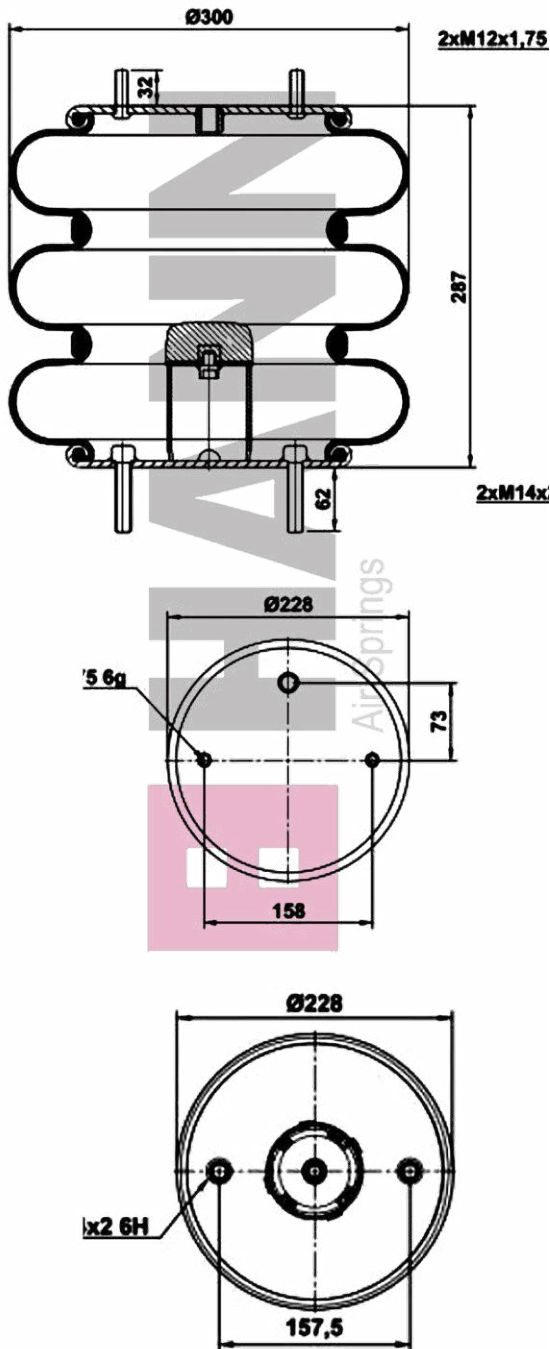


**Vehicle Model:**  
GRANNING tbd

**HANN No: H03.3301.P06 HYD**


Convoluted Air Spring

**TECHNICAL DRAWING**




**PRODUCT DETAILS**

 **Product Type:**  
Convoluted Air Spring

 **Dimensions:**  
80x120x85

 **Pallet Quantity:**  
24

 **Weight:**  
7.25 .

**OEM REFERENCES**

ROLFO | 112321

**CROSS REFERENCES**

CF GOMMA | 322 BB 204413

**VEHICLE APPLICATION**

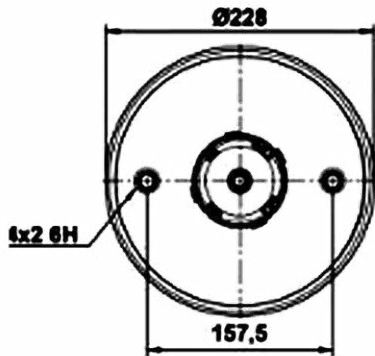
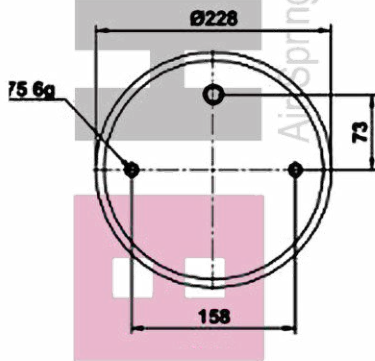
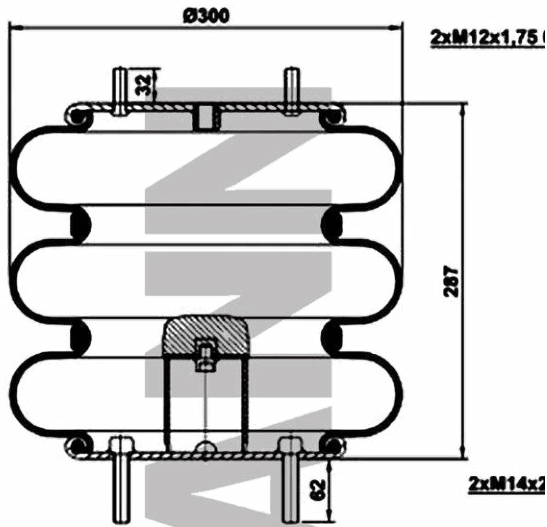


**Vehicle Model:**  
-

**HANN No: H03.3301.P06**

Convoluted Air Spring

**TECHNICAL DRAWING**




**PRODUCT DETAILS**

 **Product Type:**  
Convoluted Air Spring

 **Dimensions:**  
80\*120\*83

 **Pallet Quantity:**  
24

 **Weight:**  
7.25

**OEM REFERENCES**

**CROSS REFERENCES**

CF GOMMA | 322 BB 204413

**VEHICLE APPLICATION**

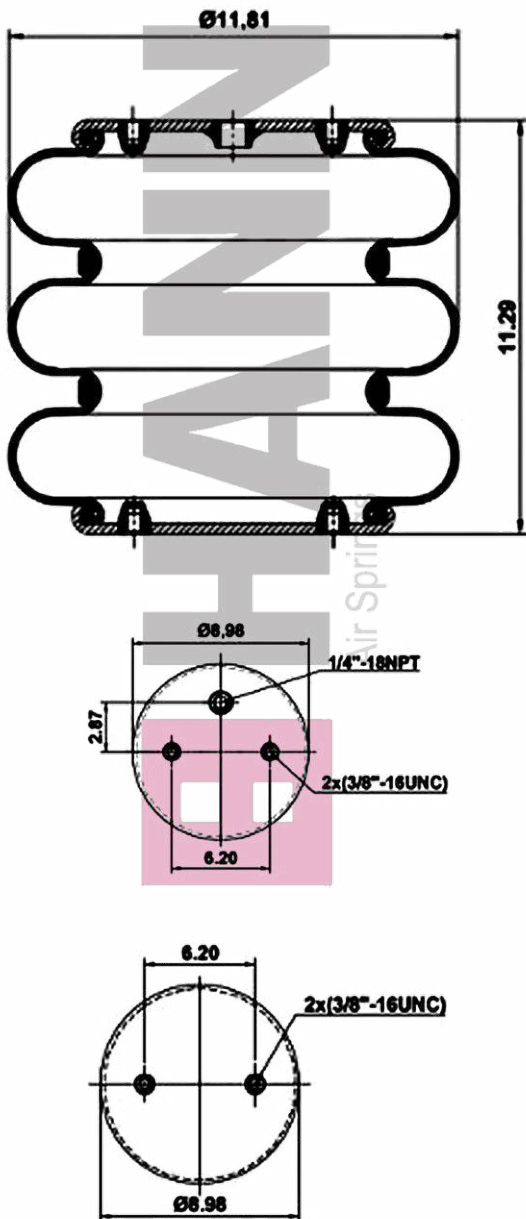


**Vehicle Model:**


**HANN No: H03.3302.P03**


Convoluted Air Spring

**TECHNICAL DRAWING**



**PRODUCT DETAILS**

 **Product Type:**  
Convoluted Air Spring

 **Dimensions:**  
80\*120\*83

 **Pallet Quantity:**  
-

 **Weight:**  
-

**OEM REFERENCES**

LOADGUARD	SC2132
SAE-SMB	200620

**CROSS REFERENCES**

CONTITECH	FT 330-29 503
GOODYEAR	3B12-304
GOODYEAR	578933100
VIBRACOUSTIC	SP3B22R-C503

**VEHICLE APPLICATION**

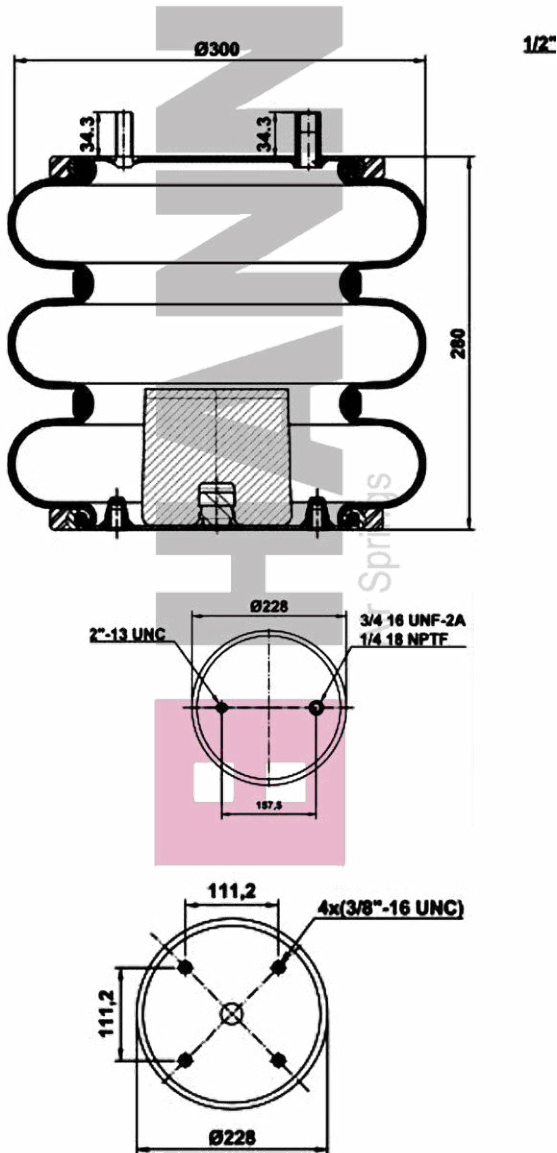


**Vehicle Model:**  
Loadguard tbd, Suspensions, Inc.

# HANN No: H03.3302.P05

Convoluted Air Spring


## TECHNICAL DRAWING



1/2"

## PRODUCT DETAILS

 **Product Type:**  
Convoluted Air Spring

 **Dimensions:**  
80x120x85

 **Pallet Quantity:**  
-

 **Weight:**  
-

## OEM REFERENCES

Hendrickson	003316
Hendrickson	B-14487
Hendrickson	C14487
Hendrickson	S14487
Loadguard	SC2784
SUSPENTECH	AS-0168-G
Watson & Chalin	AS01681G
Watson & Chalin	AS0168G

## CROSS REFERENCES

ContiTech	FT 330-29 525
Automann	SP3B22R-8033
Firestone	W01-358-8033
Goodyear	3B12-312
Goodyear	578933100
VIBRACOUSTIC	SP3B22R-8033
FleetPride	AS8033

## VEHICLE APPLICATION

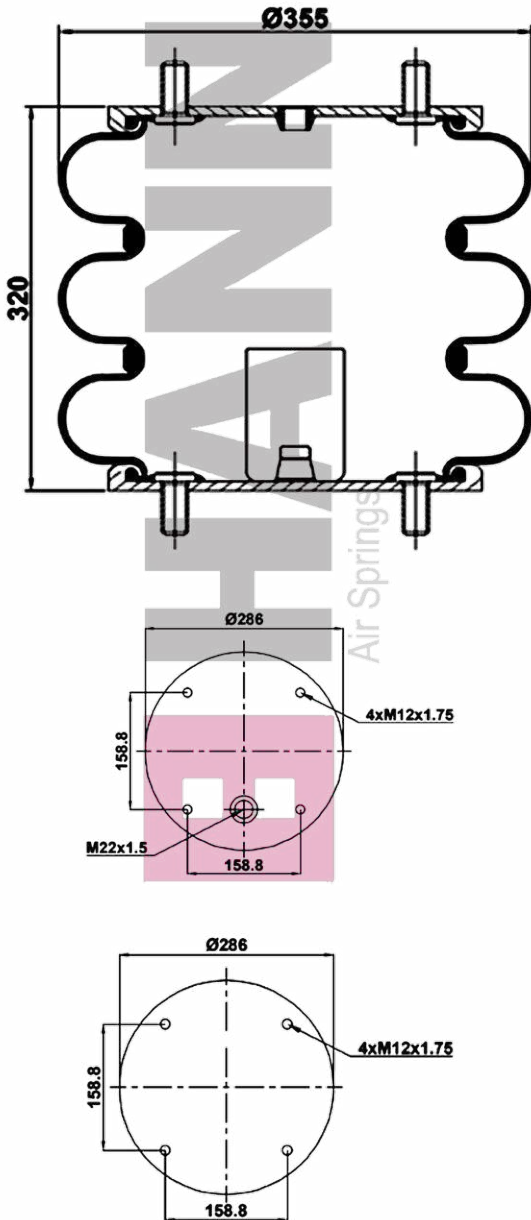


**Vehicle Model:**  
WATSON & CHALIN - HENDRICKSON


**HANN No: H03.3302.P19**

Convolute Air Spring

**TECHNICAL DRAWING**



**PRODUCT DETAILS**

 **Product Type:**  
Convolute Air Spring

 **Dimensions:**  
80x120x85

 **Pallet Quantity:**  
-

 **Weight:**  
-

**OEM REFERENCES**

FACCHINI	03.08.5017.02
HBZ	8000-26
HBZ	80006-26

**CROSS REFERENCES**

ContiTech	FT 530-35 846
Firestone	W01-095-0352
Goodyear	578 3 2 8457
Goodyear	578 3 3 8335

**VEHICLE APPLICATION**

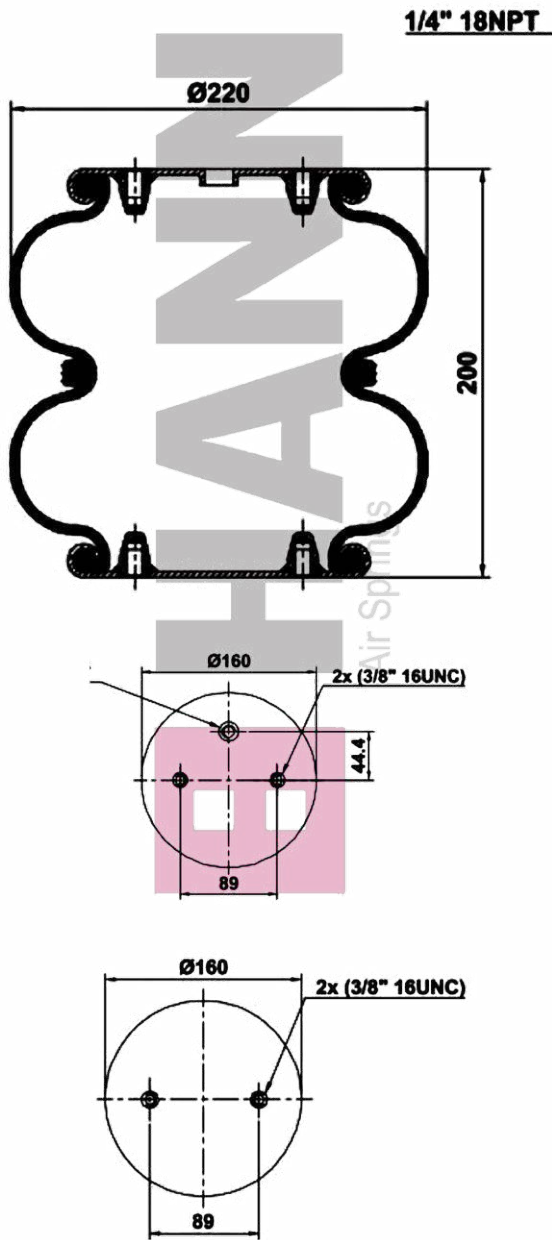


**Vehicle Model:**  
Facchini


## HANN No: H03.3302.P20


Convoluted Air Spring

### TECHNICAL DRAWING



### PRODUCT DETAILS

 **Product Type:**  
Convoluted Air Spring

 **Dimensions:**  
80x120x85

 **Pallet Quantity:**  
-

 **Weight:**  
-

### OEM REFERENCES

Dayton	354-6910	Loadguard	SC2011
Granning	1371	Navistar/Fleetrite	554783C1
Granning	2726	Ridewell	1003586910C
Hendrickson	45843-3	SAF Holland	57006910
Hendrickson	S-8768	Watson & Chalin	AS-0001

### CROSS REFERENCES

ContiTech	FD 200-19 320
Firestone	W01-006-6910
Firestone	W01-358-6910
Goodyear	2B9-200
Goodyear	578923202
Triangle	AS-4320
VIBRACOUSTIC	SP2B12R-6910

### VEHICLE APPLICATION

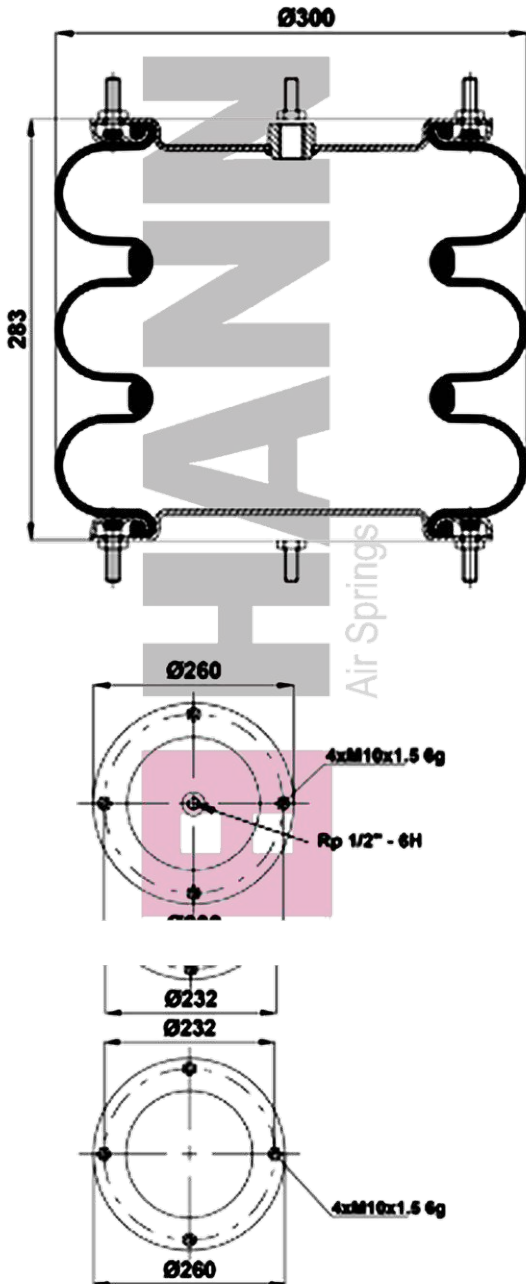


**Vehicle Model:**  
HENDRICKSON - NAVISTAR - NEWAY - RIDEWELL  
- WATSON & CHALIN


**HANN No: H03.3303.F01**

Convoluted Air Spring

**TECHNICAL DRAWING**




**PRODUCT DETAILS**

 **Product Type:**  
Convoluted Air Spring

 **Dimensions:**  
80\*120\*83

 **Pallet Quantity:**  
27

 **Weight:**  
7.81

**OEM REFERENCES**

GIGANT	00881204
GIGANT	881204
GRANNING	15816

**CROSS REFERENCES**

CONTITECH	FT 412-32 1/2 M10
FIRESTONE	12x3
FIRESTONE	W01-R58-4062
GOODYEAR	3B12-2452
GOODYEAR	578-93-3-2451

**VEHICLE APPLICATION**

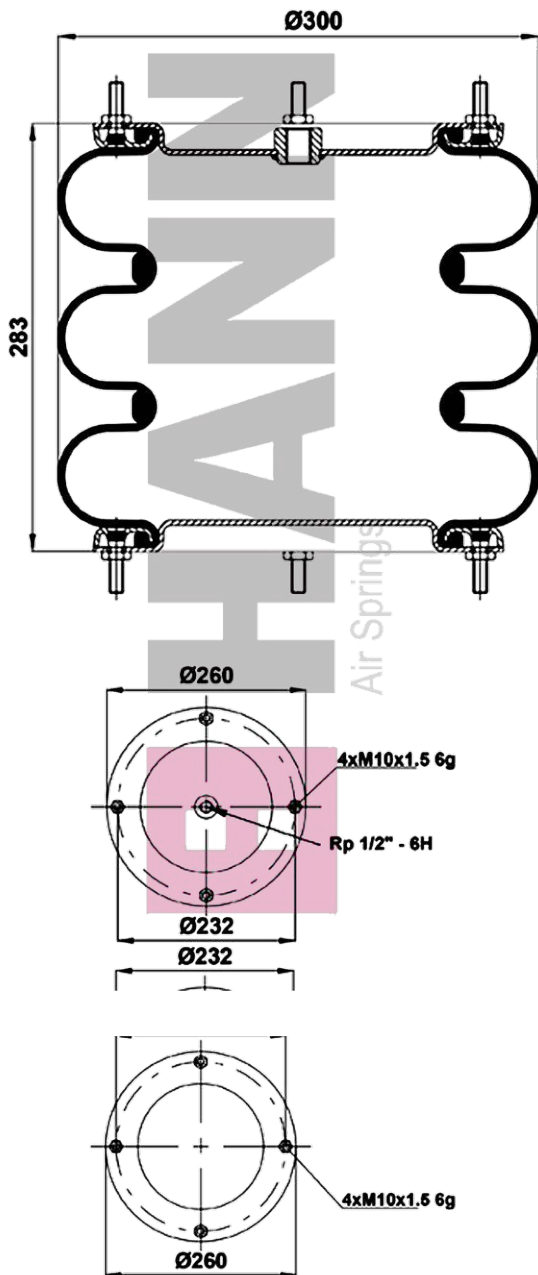


**Vehicle Model:**  
Gigant tbd

**HANN No: H03.3304.F02 HYD**


Convoluted Air Spring

**TECHNICAL DRAWING**




**PRODUCT DETAILS**

 **Product Type:**  
Convoluted Air Spring

 **Dimensions:**  
80x120x85

 **Pallet Quantity:**  
27

 **Weight:**  
7.81 .

**OEM REFERENCES**

GIGANT	00881204
GIGANT	881204
GRANNING	15816

**CROSS REFERENCES**

CONTITECH	FT 412-32 1/2 M10
FIRESTONE	12x3
FIRESTONE	W01-R58-4062
GOODYEAR	3B12-2452
GOODYEAR	578-93-3-2451

**VEHICLE APPLICATION**

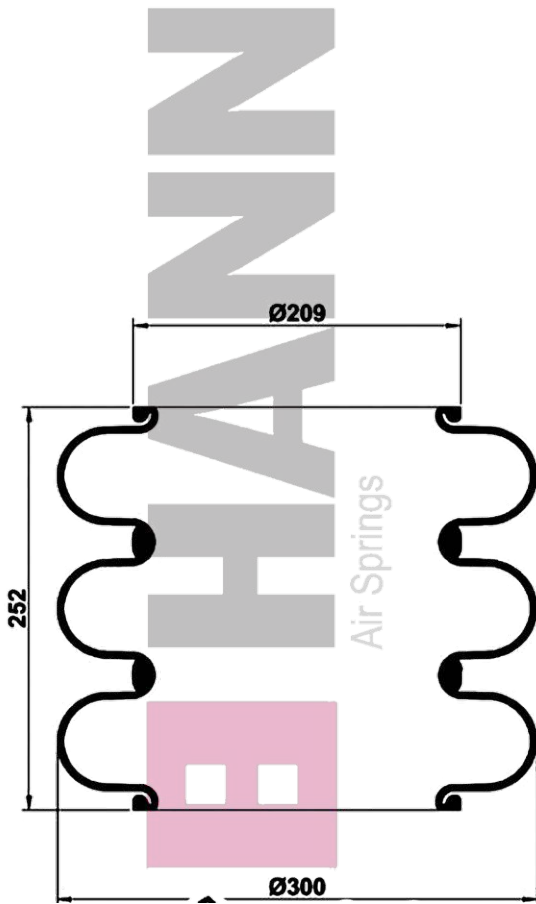


**Vehicle Model:**  
Gigant

# HANN No: H03.3304.M01

Convolutud Air Spring

## TECHNICAL DRAWING



## PRODUCT DETAILS



**Product Type:**  
Convolutud Air Spring



**Dimensions:**  
80\*120\*83



**Pallet Quantity:**  
-



**Weight:**  
-

## OEM REFERENCES

GRANNING

15830

## CROSS REFERENCES

CONTITECH

FT 412-32 S

PHOENIX

12"x 3 RE

## VEHICLE APPLICATION

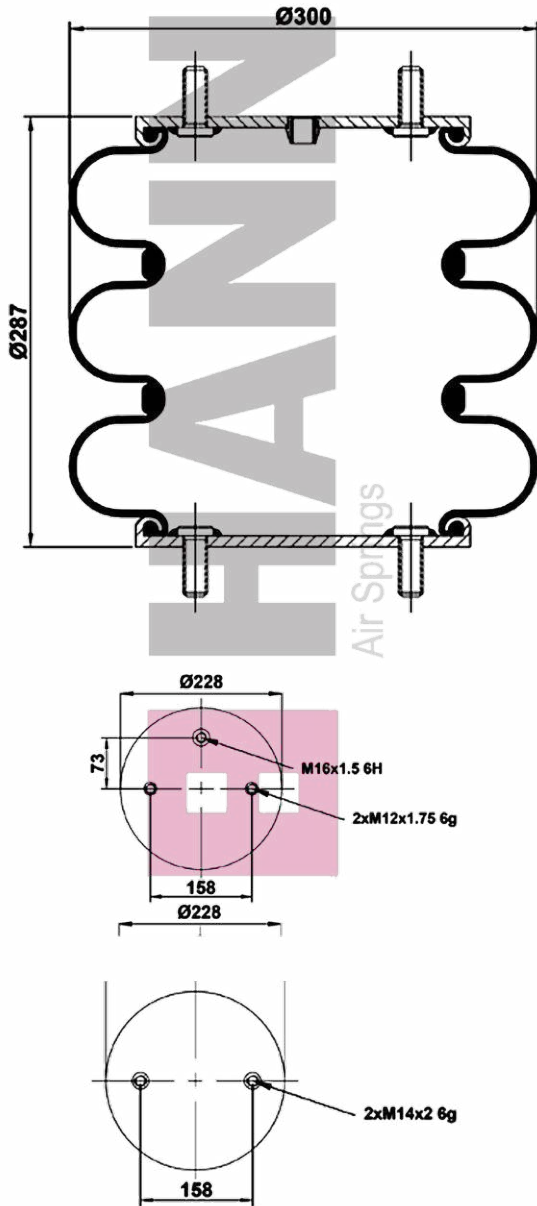


**Vehicle Model:**  
GRANNING tbd

**HANN No: H03.3305.P02**

Convoluted Air Spring

**TECHNICAL DRAWING**




**PRODUCT DETAILS**

 **Product Type:**  
Convoluted Air Spring

 **Dimensions:**  
80x120x85

 **Pallet Quantity:**  
18

 **Weight:**  
6.5

**OEM REFERENCES**

CARDI | 580 53200

GRANNING | 17040

**CROSS REFERENCES**

BLACKTECH | 3C 301-250 P08

CF GOMMA | 93410

**VEHICLE APPLICATION**



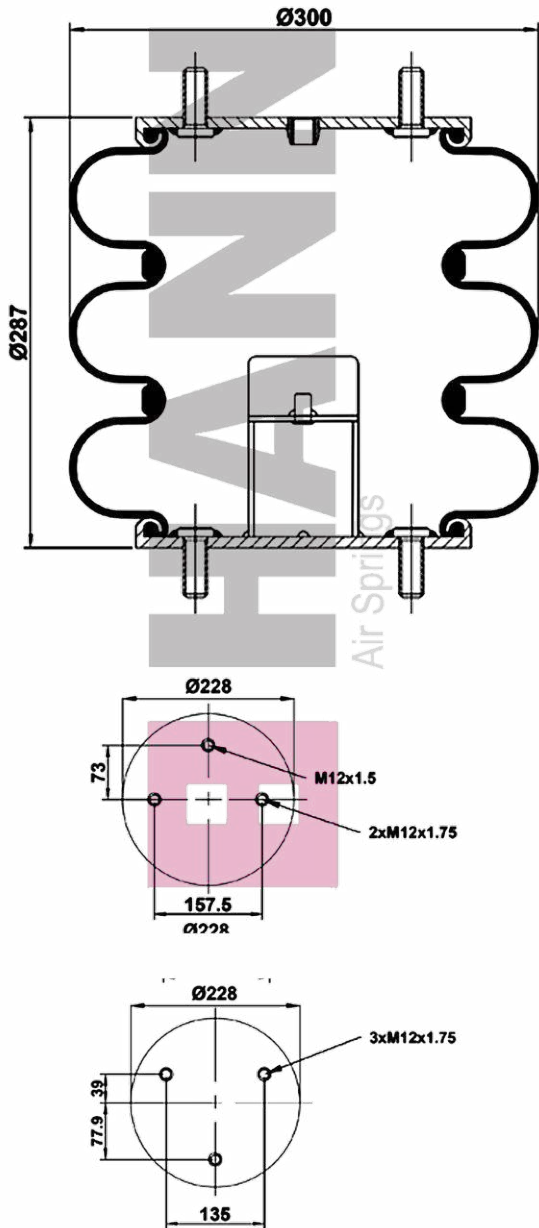
**Vehicle Model:**

-

**HANN No: H03.3305.P04 HYD**


Convolute Air Spring

**TECHNICAL DRAWING**




**PRODUCT DETAILS**

 **Product Type:**  
Convolute Air Spring

 **Dimensions:**  
80x120x85

 **Pallet Quantity:**  
18

 **Weight:**  
7.9

**OEM REFERENCES**

GRANNING | 17017

SAF | 3.228.1002.01

**CROSS REFERENCES**

CONTITECH | FT 330-29 P01

**VEHICLE APPLICATION**

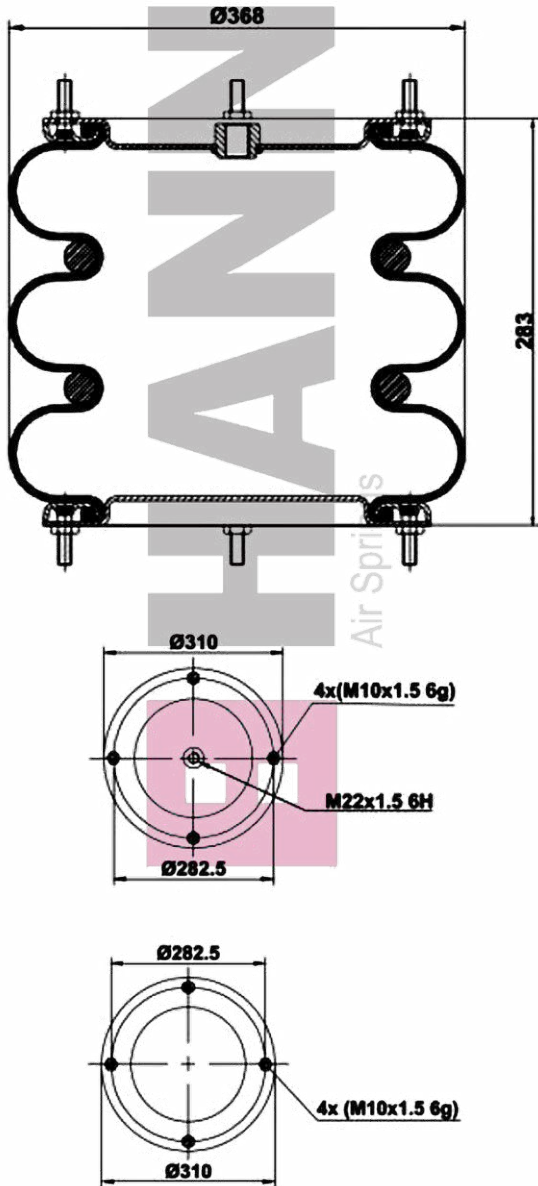


**Vehicle Model:**  
SAF - GRANNING

# HANN No: H03.3370.F01

Convoluted Air Spring

## TECHNICAL DRAWING



## PRODUCT DETAILS

 **Product Type:**  
Convoluted Air Spring

 **Dimensions:**  
80x120x85

 **Pallet Quantity:**  
-

 **Weight:**  
-

## OEM REFERENCES

GRANNING	15832
WEWELER	USN 510018KD

## CROSS REFERENCES

CONTITECH	FT 614-36 1/2 M10
FIRESTONE	14x3,5
FIRESTONE	W01-R58-4065
GOODYEAR	SP1539

## VEHICLE APPLICATION



**Vehicle Model:**  
WEWELER - GRANNING