



Auto Parts and Solutions

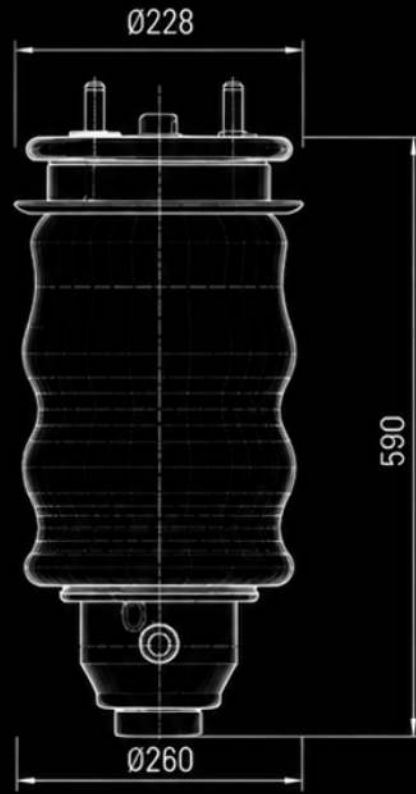
# CABIN AIRSPRING

## PRODUCT CATALOG

HEAVY DUTY PARTS SOLUTIONS

AIR SPRINGS • SHOCK ABSORBERS • BRAKE PADS

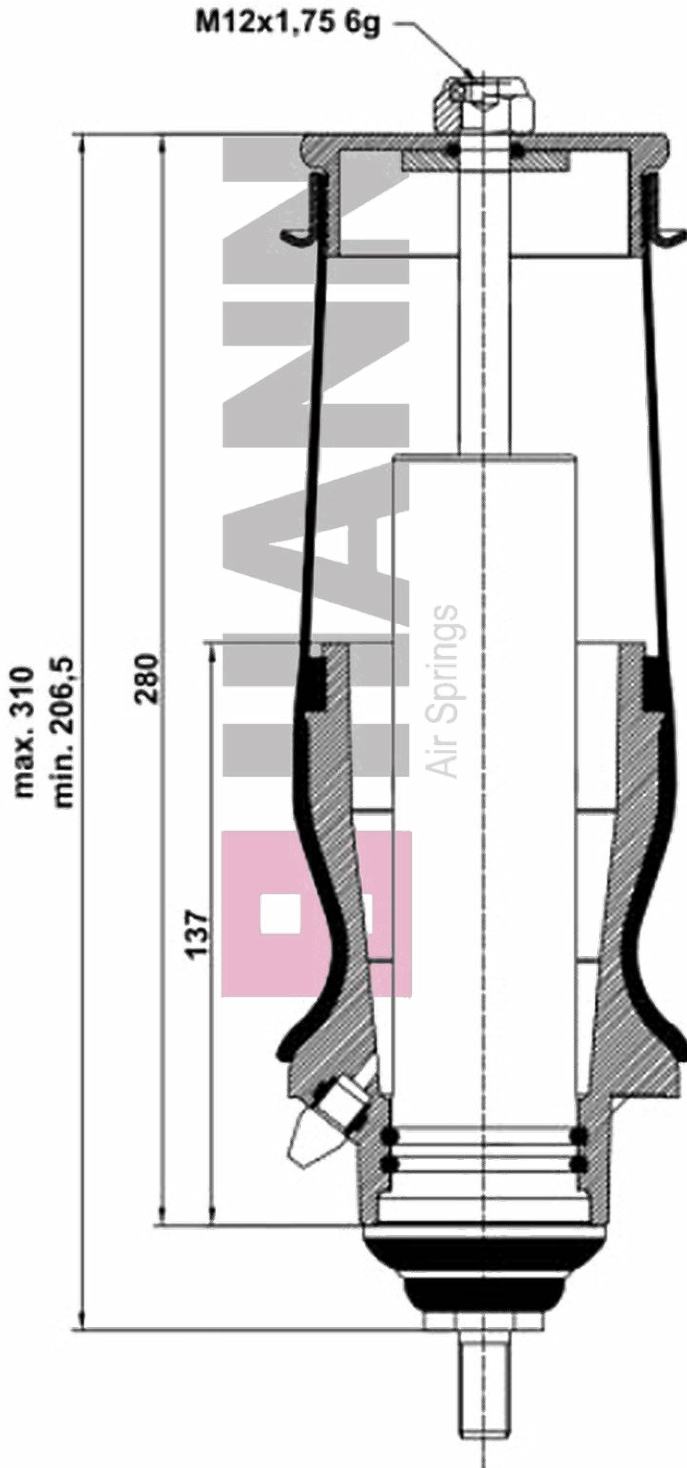
ADDED VALUE SOLUTIONS



# HANN No: H02.1201.FA

Cabin Bellows with Shock Absorber

## TECHNICAL DRAWING



## PRODUCT DETAILS



**Product Type:**  
Cabin Bellows with Shock Absorber



**Dimensions:**  
80\*120\*85



**Pallet Quantity:**  
80



**Weight:**  
2.26

## OEM REFERENCES

SCANIA	1381904
SCANIA	1381919
SCANIA	1397400
SCANIA	1435859
SCANIA	1476415

## CROSS REFERENCES

MONROE	CB0010
MONROE	CB0030

## VEHICLE APPLICATION

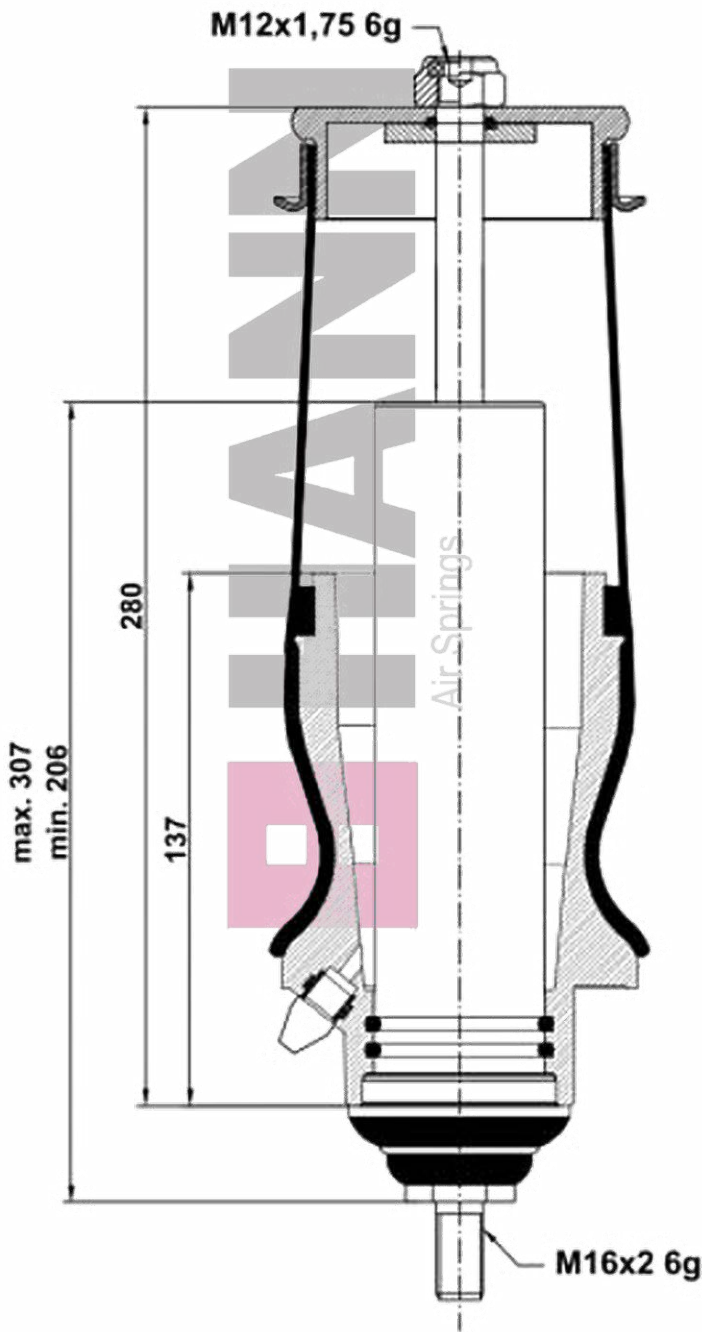


**Vehicle Model:**  
Scania - P / G / R / T-Serie

**HANN No: H02.1201.RA**

Cabin Bellows with Shock Absorber

**TECHNICAL DRAWING**



**PRODUCT DETAILS**



**Product Type:**  
Cabin Bellows with Shock Absorber



**Dimensions:**  
80\*120\*85



**Pallet Quantity:**  
65



**Weight:**  
2.2

**OEM REFERENCES**

SCANIA	1381906
SCANIA	1381919
SCANIA	1382826
SCANIA	1382829
SCANIA	1435856
SCANIA	1476415

**CROSS REFERENCES**

MONROE	CB0009
MONROE	CB0030

**VEHICLE APPLICATION**

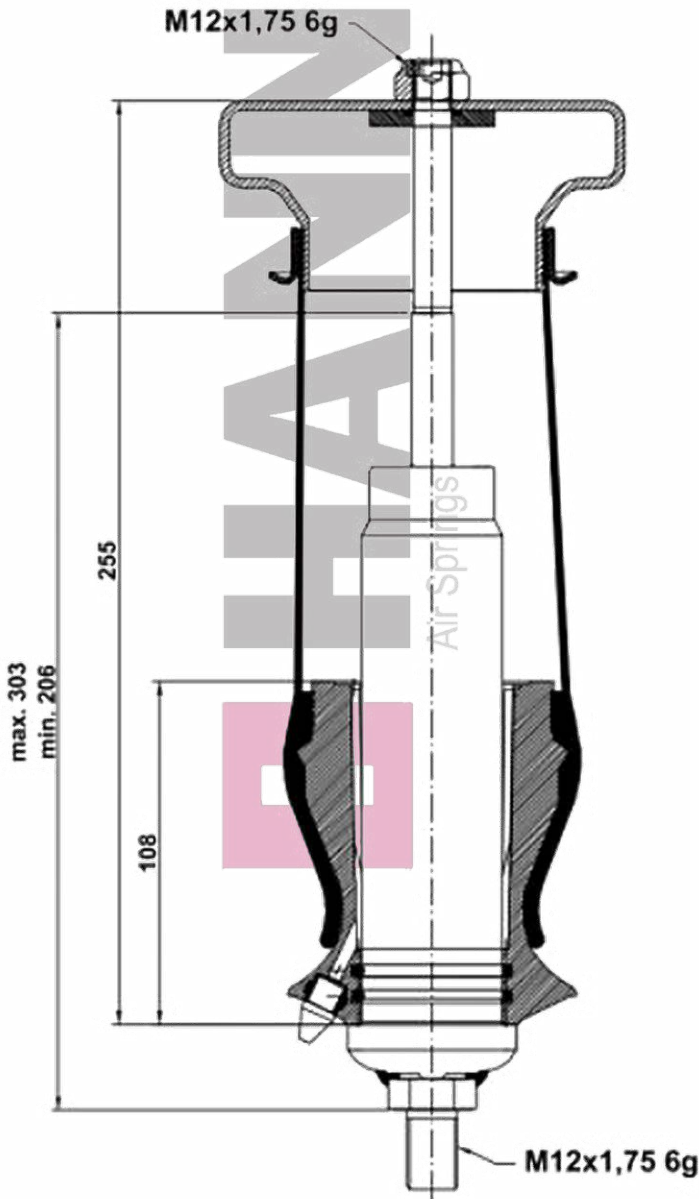


**Vehicle Model:**  
Scania - Serie 4

# HANN No: H02.1202.FA

Cabin Bellows with Shock Absorber

## TECHNICAL DRAWING



## PRODUCT DETAILS



**Product Type:**

Cabin Bellows with Shock Absorber



**Dimensions:**

80\*120\*85



**Pallet Quantity:**

65



**Weight:**

-

## OEM REFERENCES

SCANIA	1349840
SCANIA	1363122
SCANIA	1381904
SCANIA	1397396
SCANIA	1424228

## CROSS REFERENCES

SACHS	105872
SACHS	290201
SACHS	290203
SACHS	290988
SACHS	557001

## VEHICLE APPLICATION



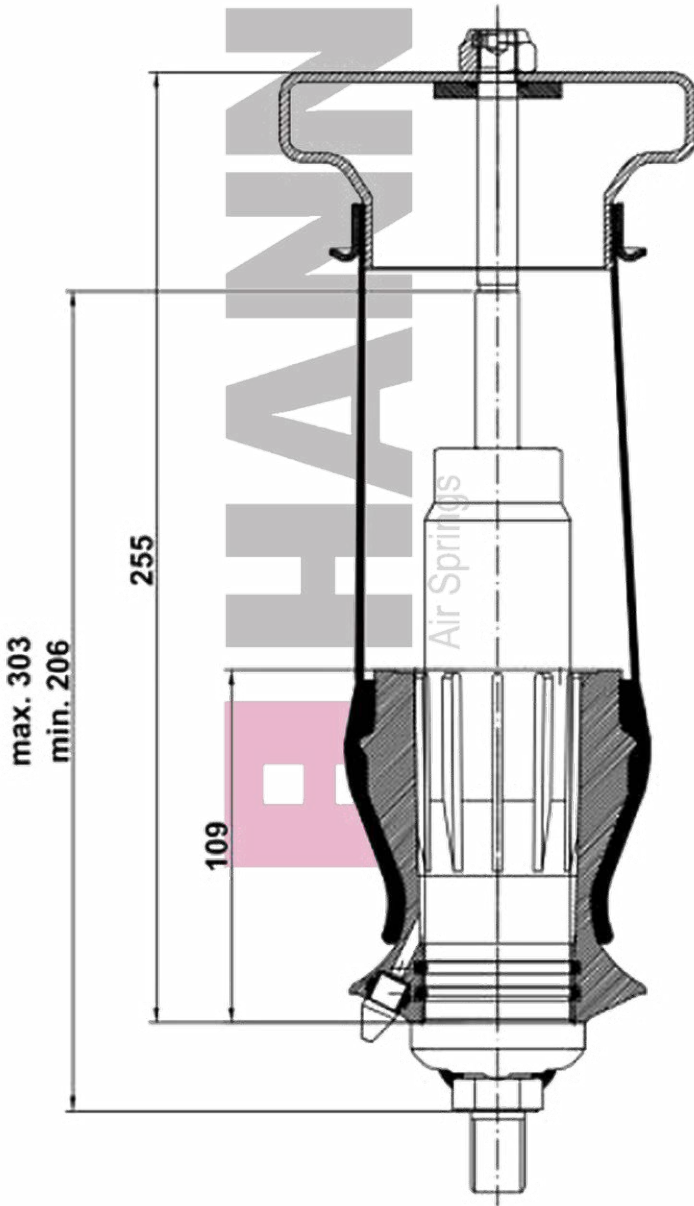
**Vehicle Model:**

SCANIA Serie 4 / CR-CP SERIES

# HANN No: H02.1202.RA

Cabin Bellows with Shock Absorber

## TECHNICAL DRAWING



## PRODUCT DETAILS



**Product Type:**

Cabin Bellows with Shock Absorber



**Dimensions:**

80\*120\*85



**Pallet Quantity:**

65



**Weight:**

2.41

## OEM REFERENCES

SCANIA	1349840
SCANIA	1349844
SCANIA	1382827
SCANIA	1424229

## CROSS REFERENCES

SACHS	105873
SACHS	290989
SACHS	557001

## VEHICLE APPLICATION



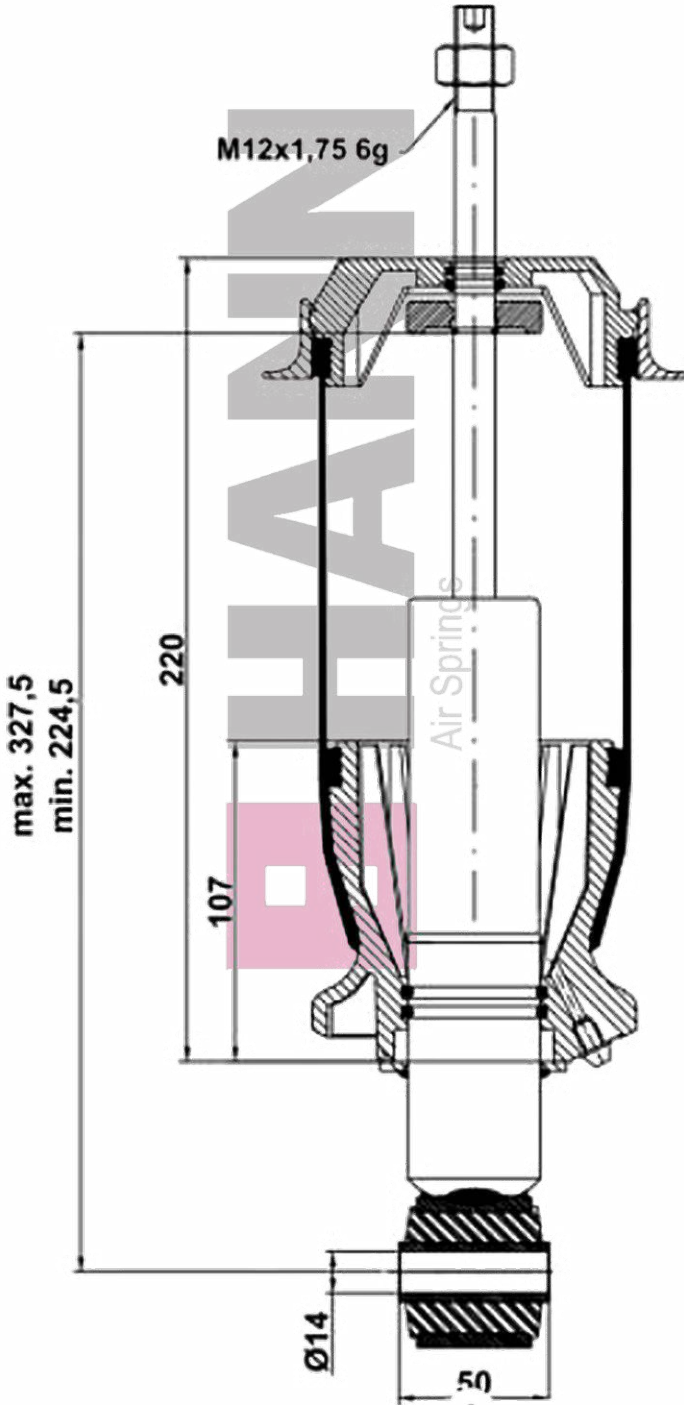
**Vehicle Model:**

SCANIA - 4 CR-CP SERIES, Scania 4-Serie

# HANN No: H02.1210.FA

Cabin Bellows with Shock Absorber

## TECHNICAL DRAWING



## PRODUCT DETAILS



**Product Type:**  
Cabin Bellows with Shock Absorber



**Dimensions:**  
80\*120\*83



**Pallet Quantity:**  
80



**Weight:**  
2.59

## OEM REFERENCES

SCANIA	1873668
SCANIA	2493164

## CROSS REFERENCES

MONROE	CB0194
SACHS	1907308

## VEHICLE APPLICATION

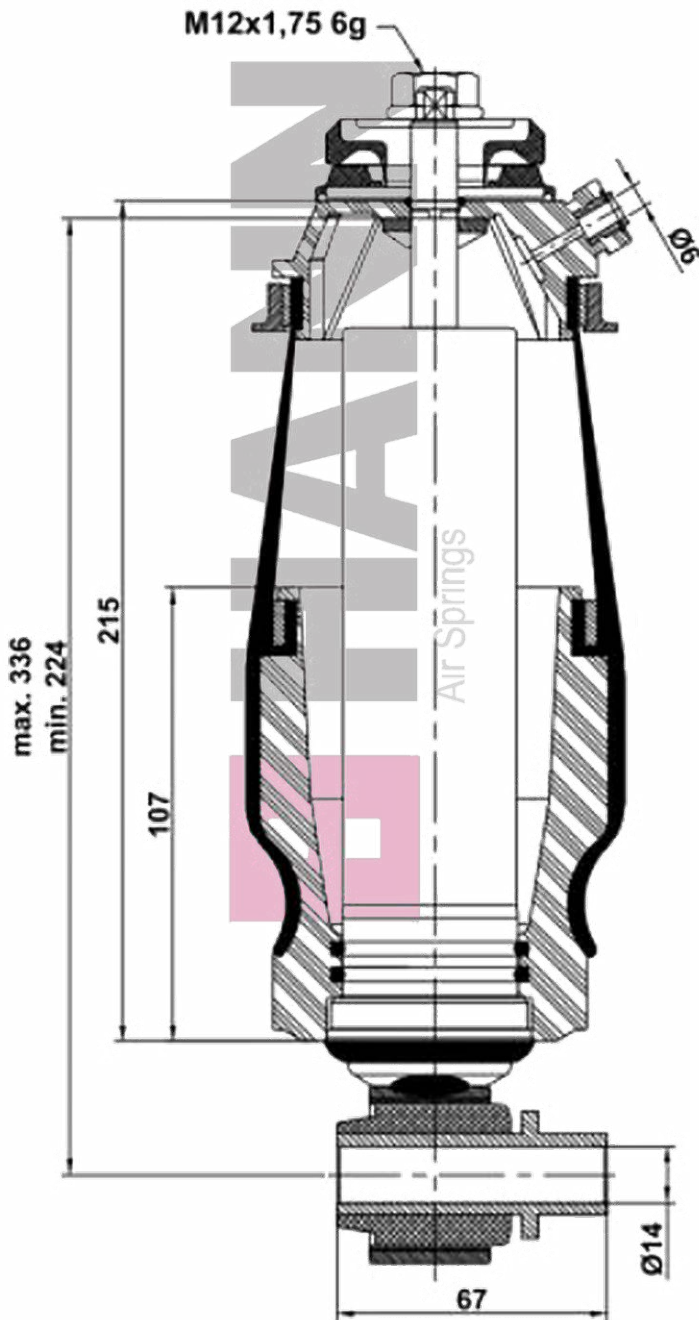


**Vehicle Model:**  
Scania P / G / R / T-Serie

# HANN No: H02.1210.RA

Cabin Bellows with Shock Absorber

## TECHNICAL DRAWING



## PRODUCT DETAILS



**Product Type:**  
Cabin Bellows with Shock Absorber



**Dimensions:**  
80\*120\*85



**Pallet Quantity:**  
65



**Weight:**  
2.51

## OEM REFERENCES

RENAULT	7421170696
VOLVO	23577666
VOLVO	21430900
VOLVO	23577668

## CROSS REFERENCES

MONROE	CB0210
AIRCRAFT	128210K

## VEHICLE APPLICATION

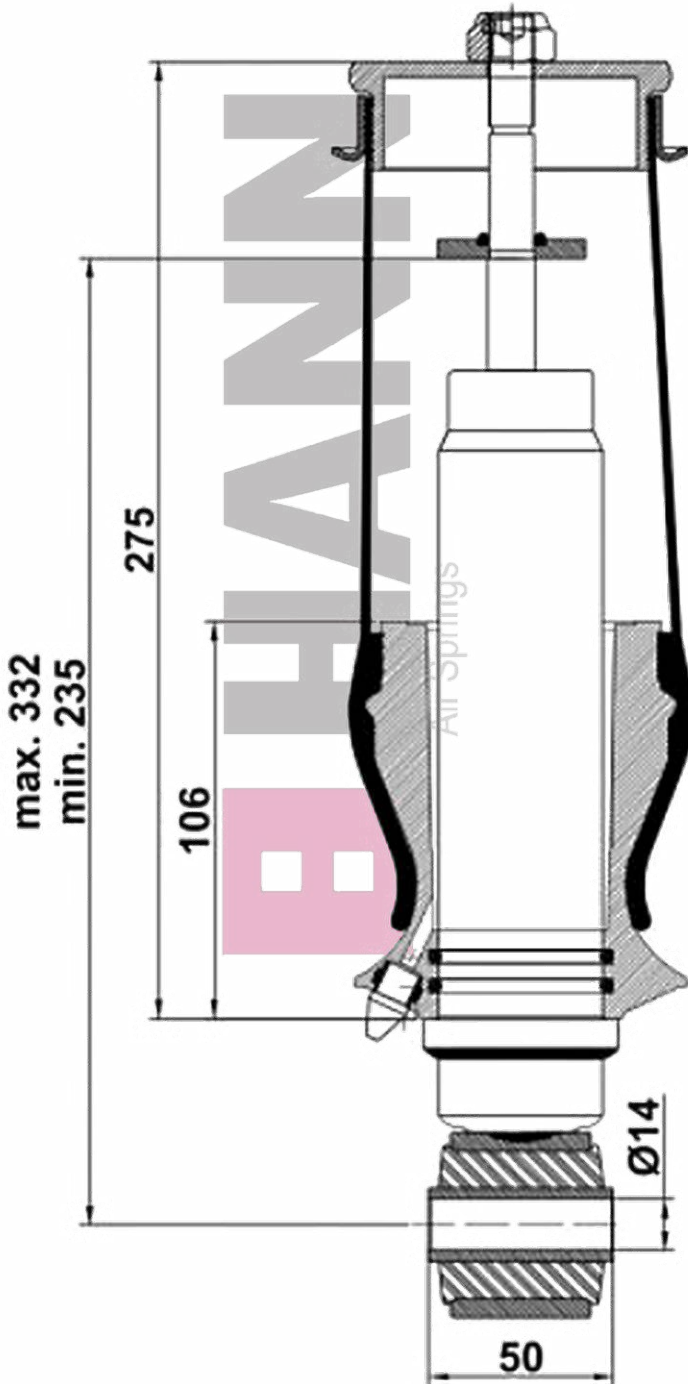


**Vehicle Model:**  
Renault - Serie C / Serie K / Serie T -  
Volvo FM

# HANN No: H02.1301.RA

Cabin Bellows with Shock Absorber

## TECHNICAL DRAWING



## PRODUCT DETAILS



**Product Type:**  
Cabin Bellows with Shock Absorber



**Dimensions:**  
80\*120\*85



**Pallet Quantity:**  
65



**Weight:**  
2.64

## OEM REFERENCES

SCANIA	1505563
SCANIA	1349840
SCANIA	1424231
SCANIA	1495642
SCANIA	2086673

## CROSS REFERENCES

MONROE	CB0067
MONROE	CB0134
SACHS	310619
SACHS	310620

## VEHICLE APPLICATION

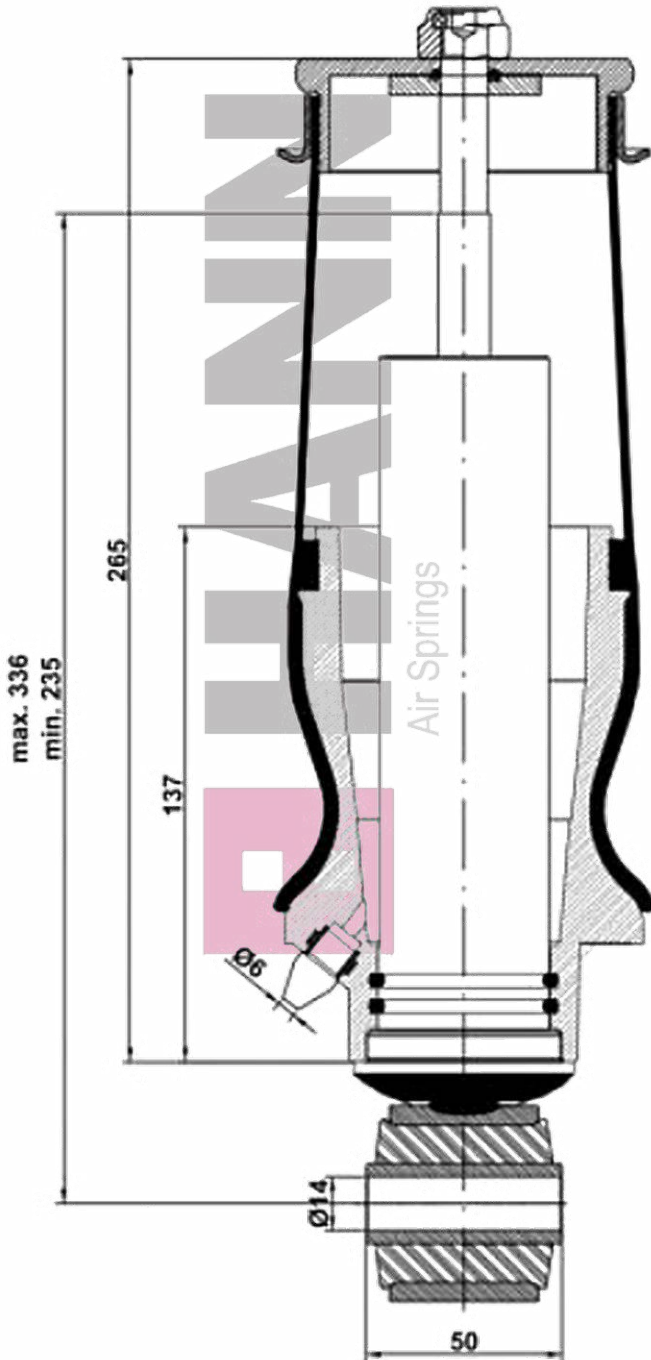


**Vehicle Model:**  
SCANIA - 4 CR-CP SERIES, Scania 4-Serie

# HANN No: H02.1302.RA

Cabin Bellows with Shock Absorber

## TECHNICAL DRAWING



## PRODUCT DETAILS



**Product Type:**  
Cabin Bellows with Shock Absorber



**Dimensions:**  
80\*120\*85



**Pallet Quantity:**  
65



**Weight:**  
2.70

## OEM REFERENCES

SCANIA	1502468
SCANIA	1502471
SCANIA	1502474
SCANIA	1502470

## CROSS REFERENCES

MONROE	CB0074+CB0078
AIRCRAFT	128009K
SACHS	314646+290987

## VEHICLE APPLICATION

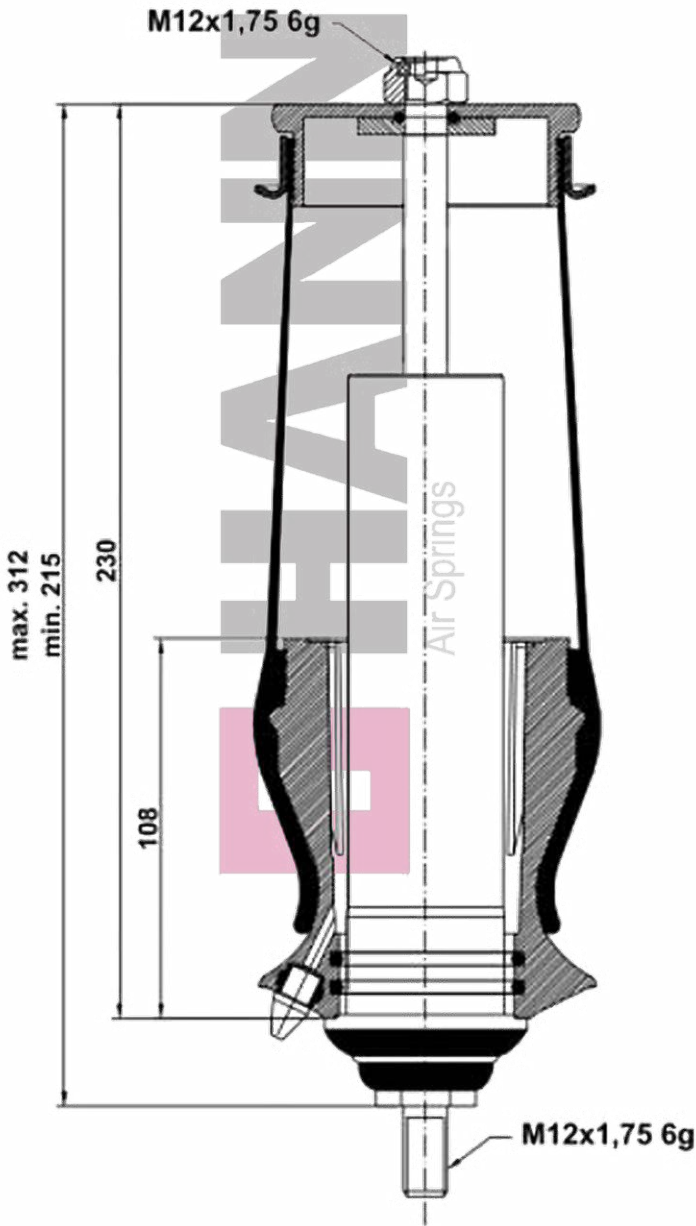


**Vehicle Model:**  
Scania - Serie 4 / P- G- R- T

# HANN No: H02.1304.FA

Cabin Bellows with Shock Absorber

## TECHNICAL DRAWING



## PRODUCT DETAILS



**Product Type:**  
Cabin Bellows with Shock Absorber



**Dimensions:**  
80\*120\*85



**Pallet Quantity:**  
80



**Weight:**  
2.35

## OEM REFERENCES

SCANIA	1363120
SCANIA	1397396
SCANIA	1397390
SCANIA	1397392

## CROSS REFERENCES

MONROE	CB0058 - CB0130
SACHS	290987
SACHS	312465

## VEHICLE APPLICATION

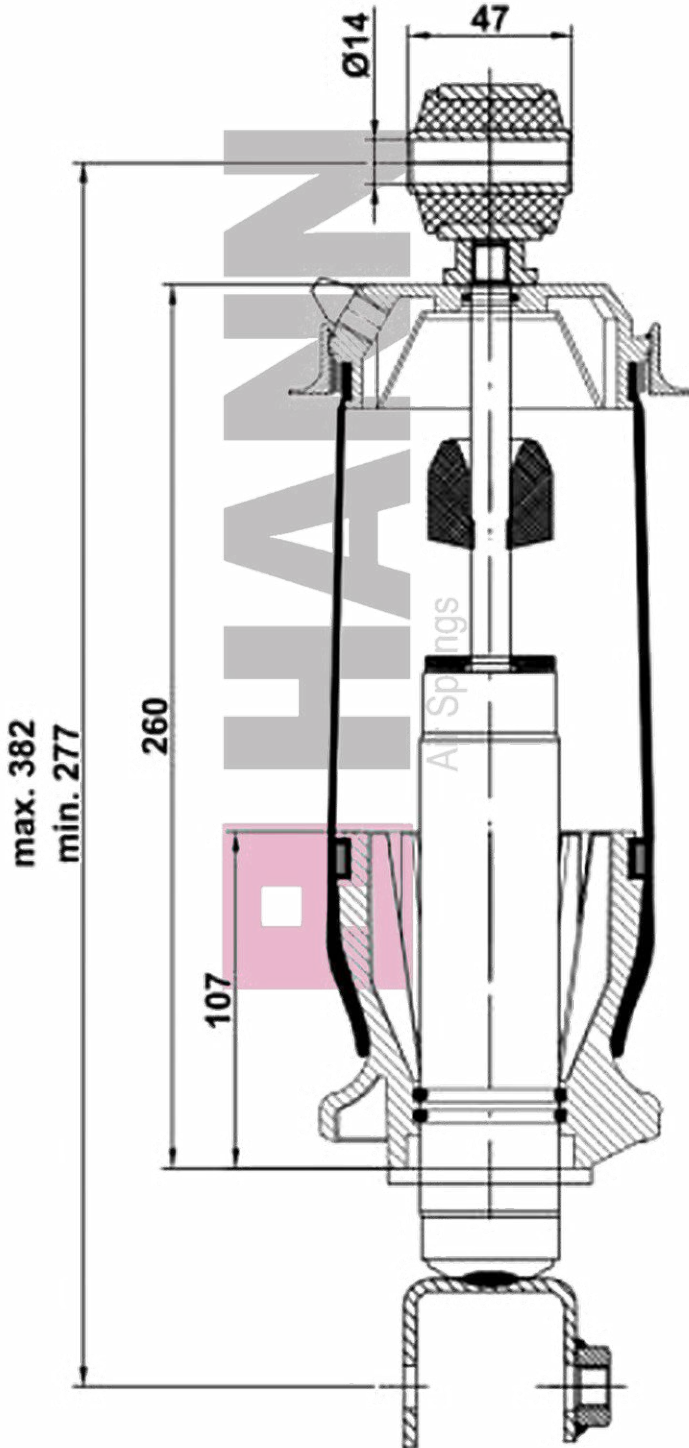


**Vehicle Model:**  
Scania - P- G- R- T-Serie

# HANN No: H02.1305.FA

Cabin Bellows with Shock Absorber

## TECHNICAL DRAWING



## PRODUCT DETAILS



**Product Type:**  
Cabin Bellows with Shock Absorber



**Dimensions:**  
80\*120\*85



**Pallet Quantity:**  
65



**Weight:**  
3.02

## OEM REFERENCES

SCANIA	2493165
SCANIA	1908097

## CROSS REFERENCES

MONROE	CB0184
AIRCRAFT	128184K

## VEHICLE APPLICATION

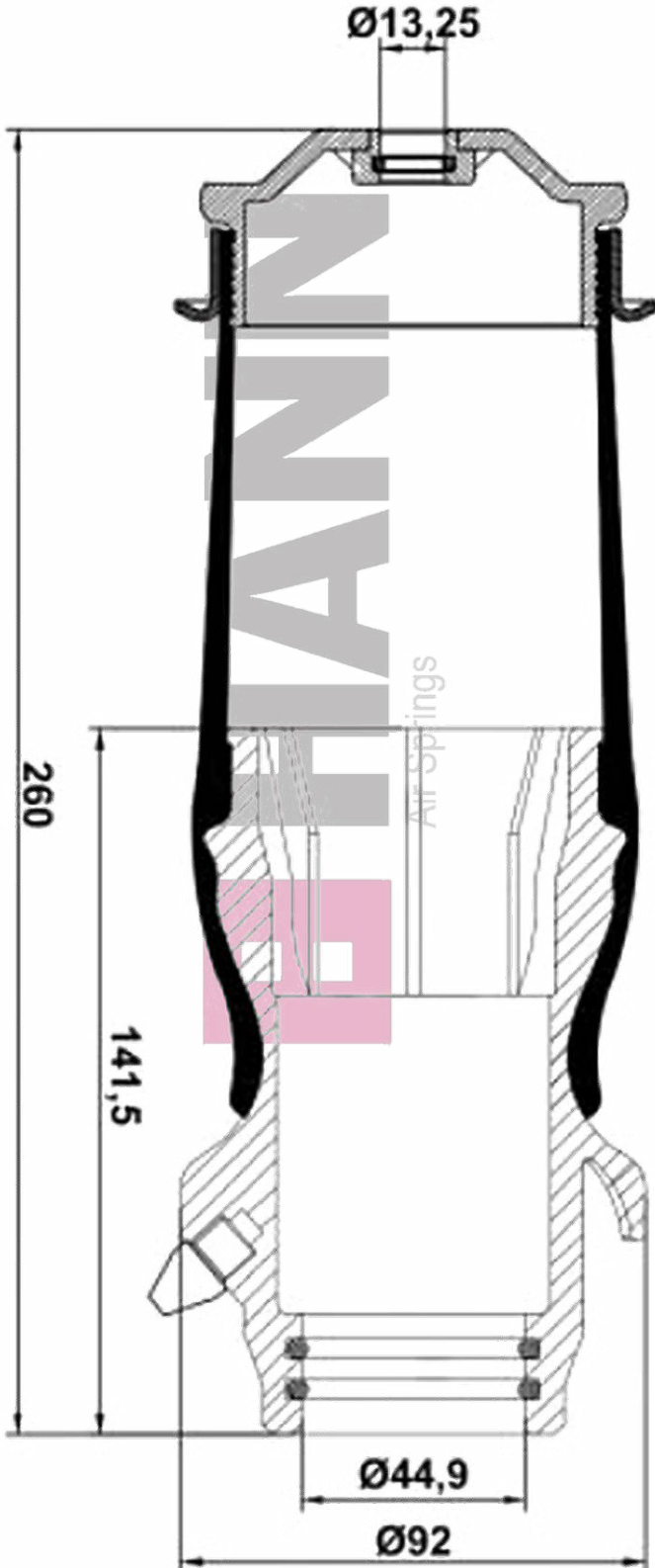


**Vehicle Model:**  
Scania - P / G / R / T

# HANN No: H02.2101.F

Cabin Bellows without Shock Absorber

## TECHNICAL DRAWING



## PRODUCT DETAILS



**Product Type:**  
Cabin Bellows without Shock Absorber



**Dimensions:**  
80\*120\*85



**Pallet Quantity:**  
80



**Weight:**  
1.19

## OEM REFERENCES

MERCEDES	942 890 29 19
MERCEDES	A 942 890 29 19
MERCEDES	A942 890 0119
MERCEDES	A942 890 6919

## CROSS REFERENCES

SACHS	105392
-------	--------

## VEHICLE APPLICATION

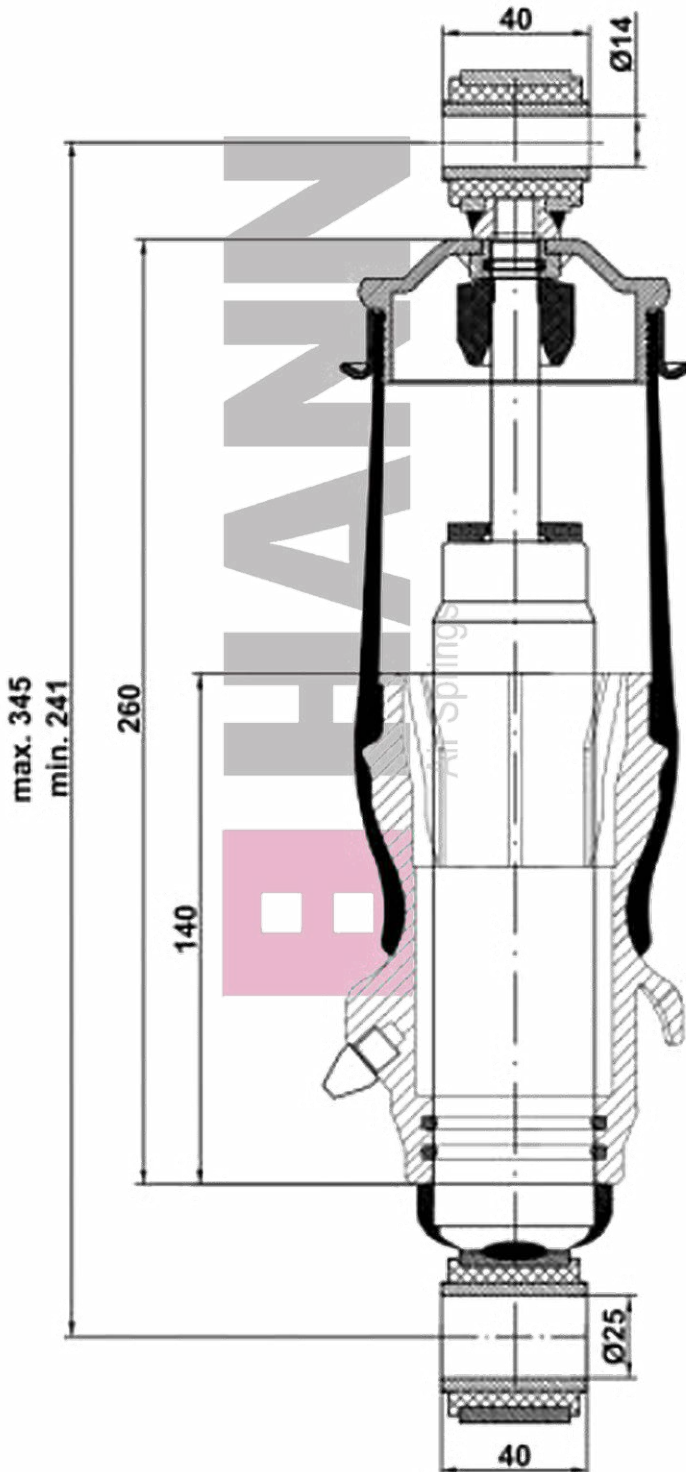


**Vehicle Model:**  
Mercedes - Actros

# HANN No: H02.2101.FA

Cabin Bellows with Shock Absorber

## TECHNICAL DRAWING



## PRODUCT DETAILS



**Product Type:**  
Cabin Bellows with Shock Absorber



**Dimensions:**  
80\*120\*85



**Pallet Quantity:**  
80



**Weight:**  
2.61

## OEM REFERENCES

MERCEDES	A942 890 0119
MERCEDES	A942 890 2919
MERCEDES	A942 890 6919

## CROSS REFERENCES

PHOENIX	CD 075 122 011
SACHS	105392
MONROE	CB0089
AIRCRAFT	205001K
GOODYEAR	1SA-AS014
FIRESTONE	W02-M58-8014
BLACKTECH	110 06 CA

## VEHICLE APPLICATION

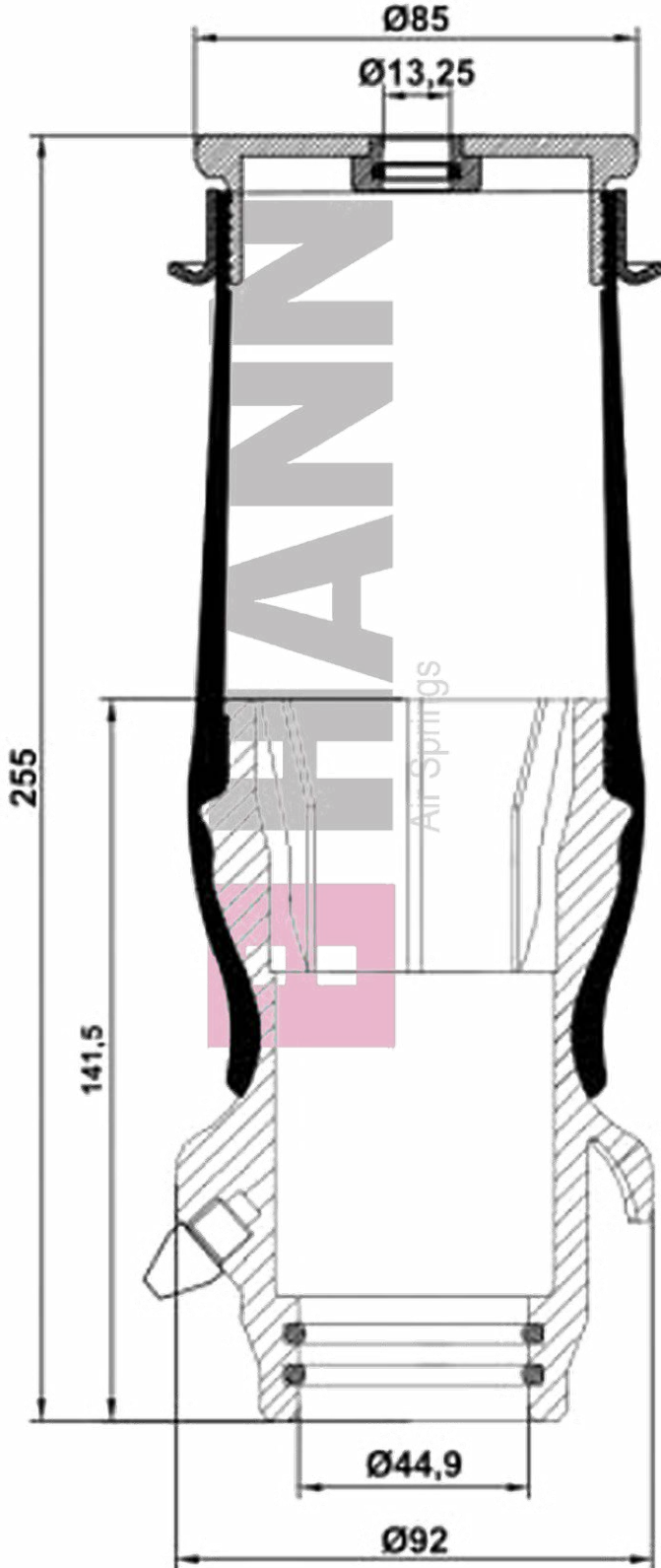


**Vehicle Model:**  
MERCEDES - ACTROS

# HANN No: H02.2101.R

Cabin Bellows without Shock Absorber

## TECHNICAL DRAWING



## PRODUCT DETAILS



**Product Type:**  
Cabin Bellows without Shock Absorber



**Dimensions:**  
80\*120\*85



**Pallet Quantity:**  
80



**Weight:**  
1.03

## OEM REFERENCES

MERCEDES	A942 890 02 19
MERCEDES	A942 890 60 19
MERCEDES	A943 890 39 19

## CROSS REFERENCES

## VEHICLE APPLICATION

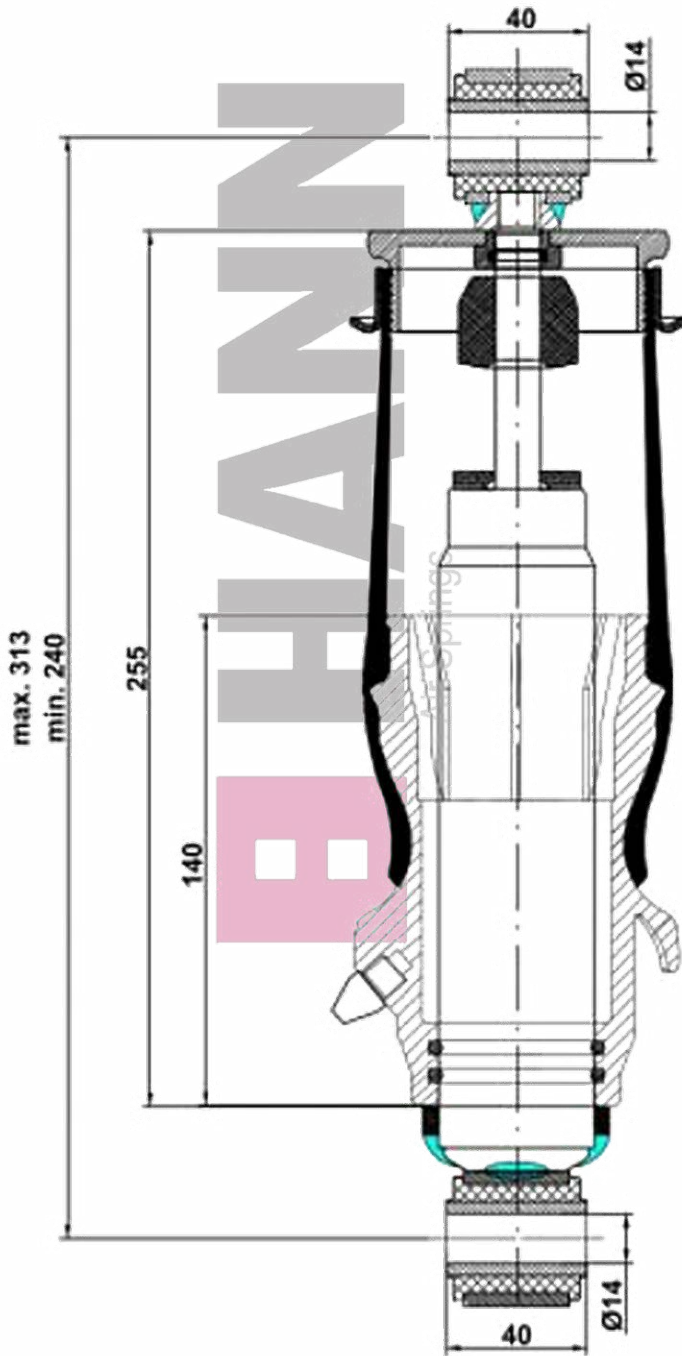


**Vehicle Model:**  
Mercedes - Actros

# HANN No: H02.2101.RA

Cabin Bellows with Shock Absorber

## TECHNICAL DRAWING



## PRODUCT DETAILS



**Product Type:**  
Cabin Bellows with Shock Absorber



**Dimensions:**  
80\*120\*85



**Pallet Quantity:**  
80



**Weight:**  
2.51

## OEM REFERENCES

MERCEDES	A942 890 0219
MERCEDES	A942 890 6019
MERCEDES	A943 890 3919

## CROSS REFERENCES

SACHS	105 831
SACHS	105 409
SACHS	311 189
SACHS	290 997
MONROE	CB0090
FIRESTONE	W02 M58 8015
GOODYEAR	1SAAS 015

## VEHICLE APPLICATION

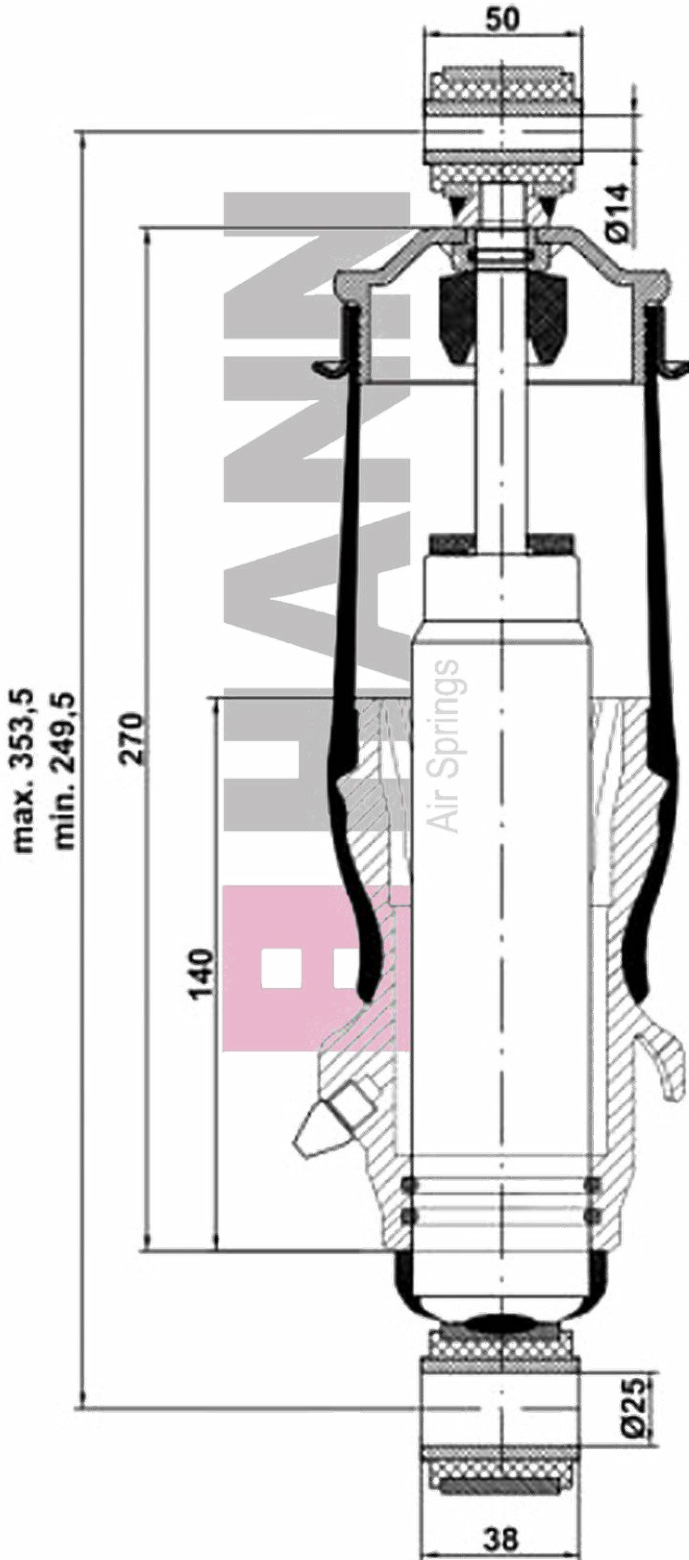


**Vehicle Model:**  
Mercedes-Benz Actros Mercedes-Benz Actros  
2 Mercedes-Benz Actros 3

# HANN No: H02.2102.FA

Cabin Bellows with Shock Absorber

## TECHNICAL DRAWING



## PRODUCT DETAILS



**Product Type:**  
Cabin Bellows with Shock Absorber



**Dimensions:**  
80\*120\*85



**Pallet Quantity:**  
65



**Weight:**  
2.73

## OEM REFERENCES

MERCEDES	A942 890 7019
MERCEDES	942 890 5319
MERCEDES	942 890 5919
MERCEDES	943 890 3819

## CROSS REFERENCES

PHOENIX	CD 075 122 012
SACHS	105414
SACHS	290998
SACHS	311663

## VEHICLE APPLICATION

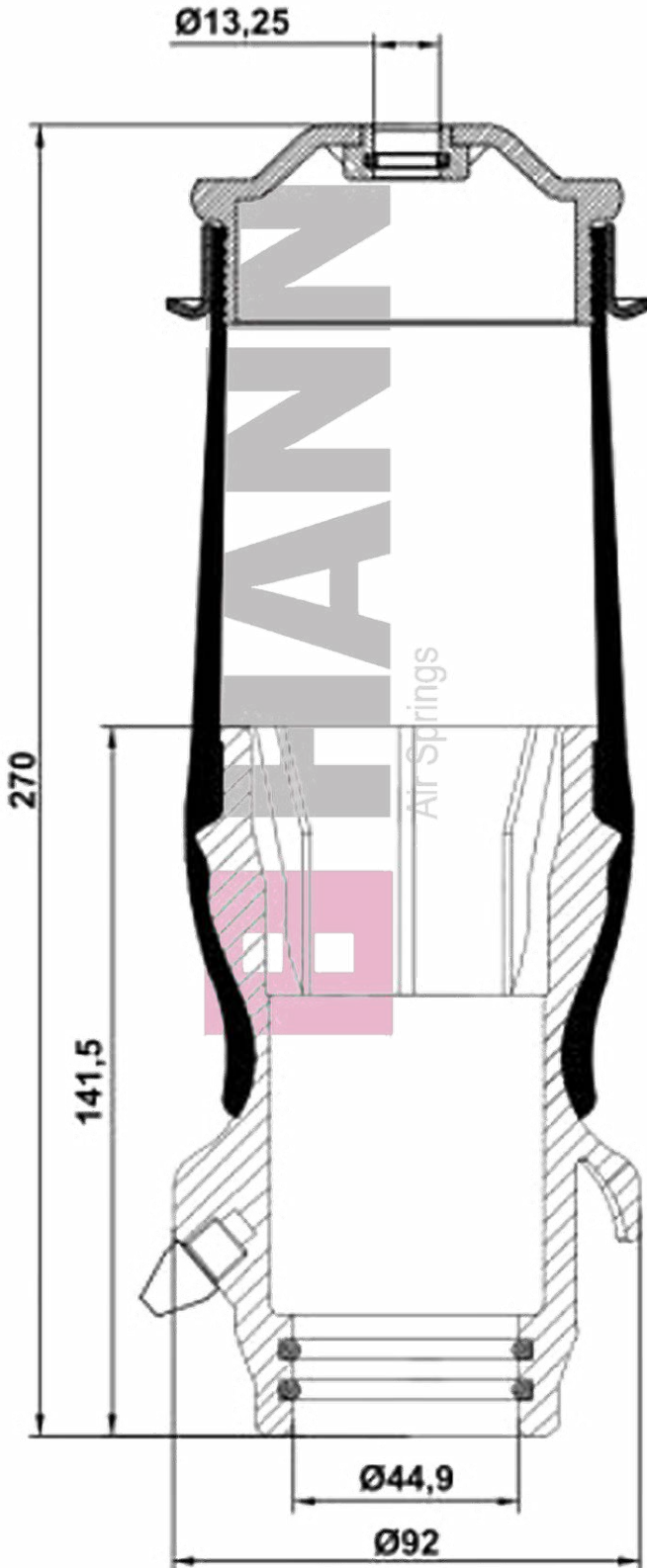


**Vehicle Model:**  
MERCEDES - ACTROS

# HANN No: H02.2103.F

Cabin Bellows without Shock Absorber

## TECHNICAL DRAWING



## PRODUCT DETAILS



**Product Type:**

Cabin Bellows without Shock Absorber



**Dimensions:**

80\*120\*85



**Pallet Quantity:**

80



**Weight:**

1

## OEM REFERENCES

MERCEDES

A 942 890 52 19

MERCEDES

A 943 890 38 19

## CROSS REFERENCES

SACHS

105408

## VEHICLE APPLICATION



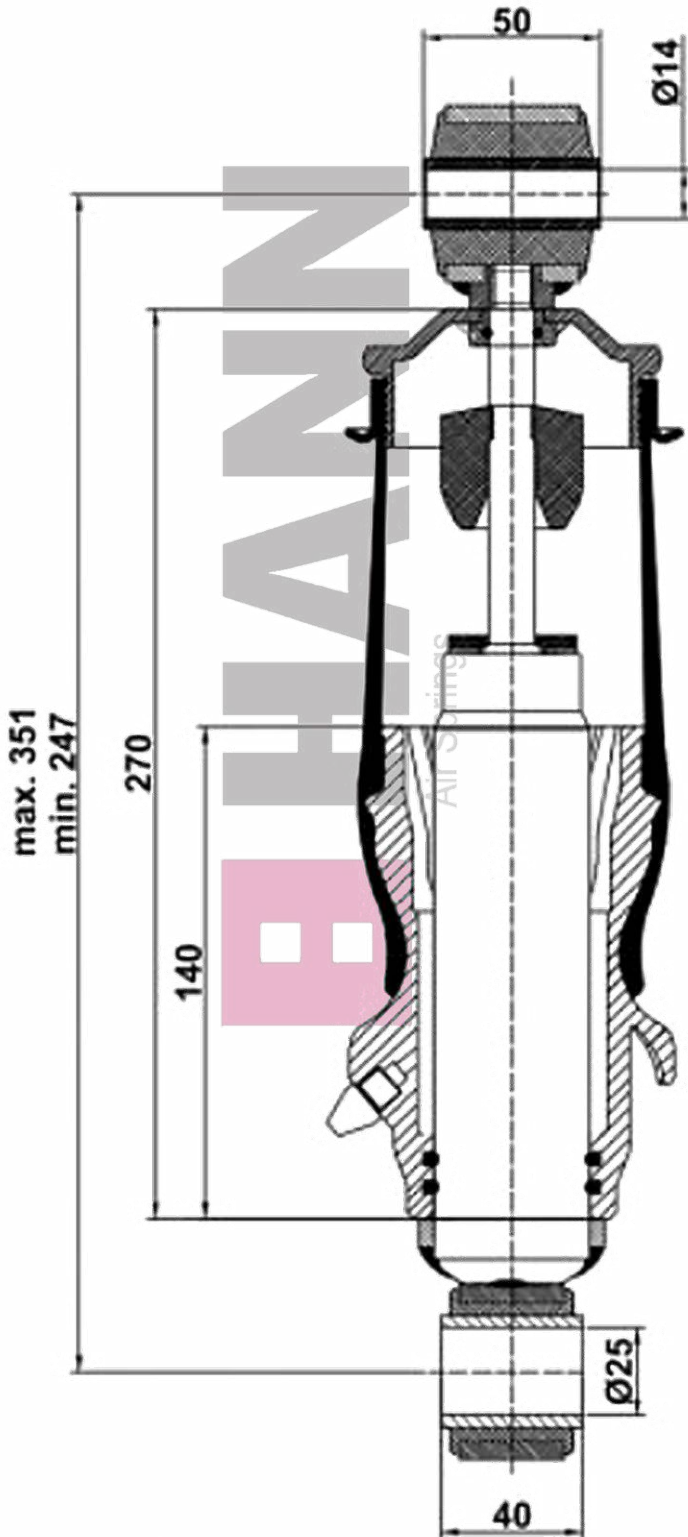
**Vehicle Model:**

Mercedes - Actros

# HANN No: H02.2103.FA

Cabin Bellows with Shock Absorber

## TECHNICAL DRAWING



## PRODUCT DETAILS



**Product Type:**  
Cabin Bellows with Shock Absorber



**Dimensions:**  
80\*120\*85



**Pallet Quantity:**  
80



**Weight:**  
2.73

## OEM REFERENCES

MERCEDES	942 890 5219
MERCEDES	A942 890 5219
MERCEDES	A943 890 3819

## CROSS REFERENCES

SACHS	105408
-------	--------

## VEHICLE APPLICATION

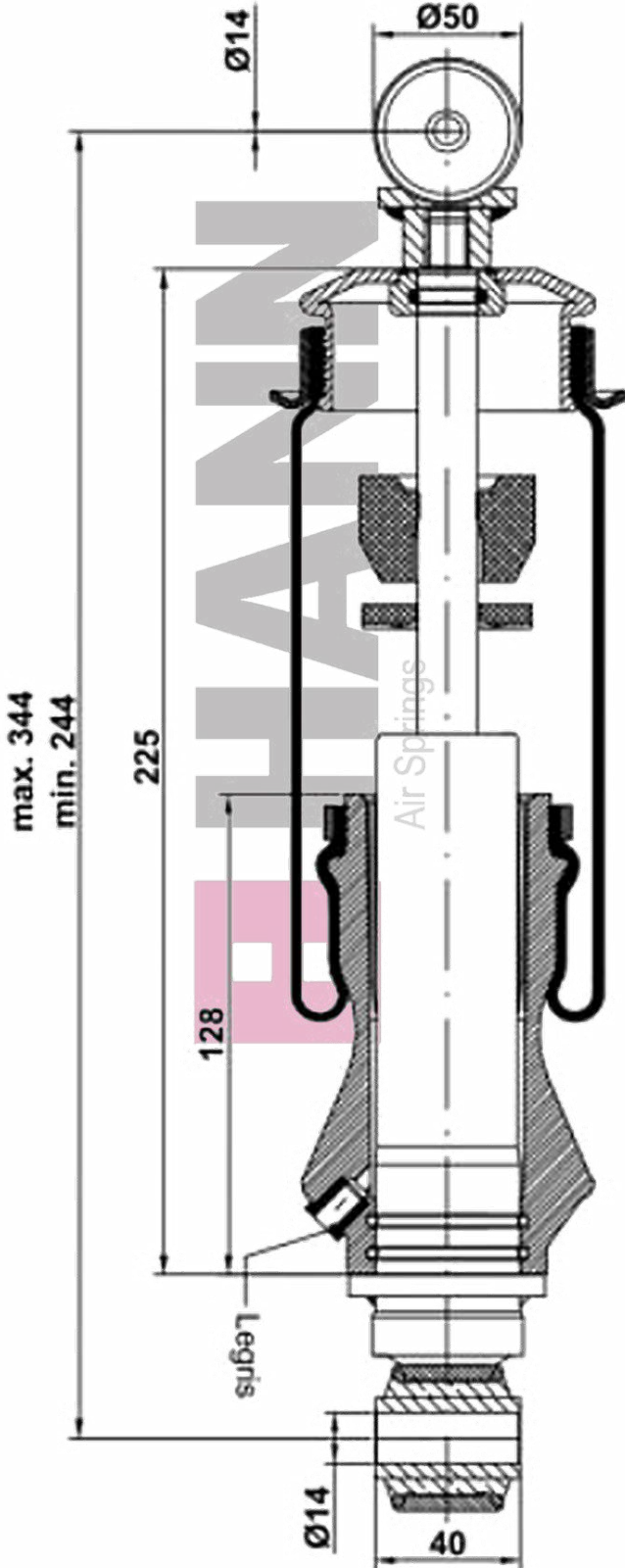


**Vehicle Model:**  
MERCEDES - ACTROS

# HANN No: H02.2301.FA

Cabin Bellows with Shock Absorber

## TECHNICAL DRAWING



## PRODUCT DETAILS



**Product Type:**

Cabin Bellows with Shock Absorber



**Dimensions:**

80\*120\*85



**Pallet Quantity:**

80



**Weight:**

2.24

## OEM REFERENCES

MERCEDES

A942 890 4919

MERCEDES

A 942 890 49 19

## CROSS REFERENCES

SACHS

315153

## VEHICLE APPLICATION



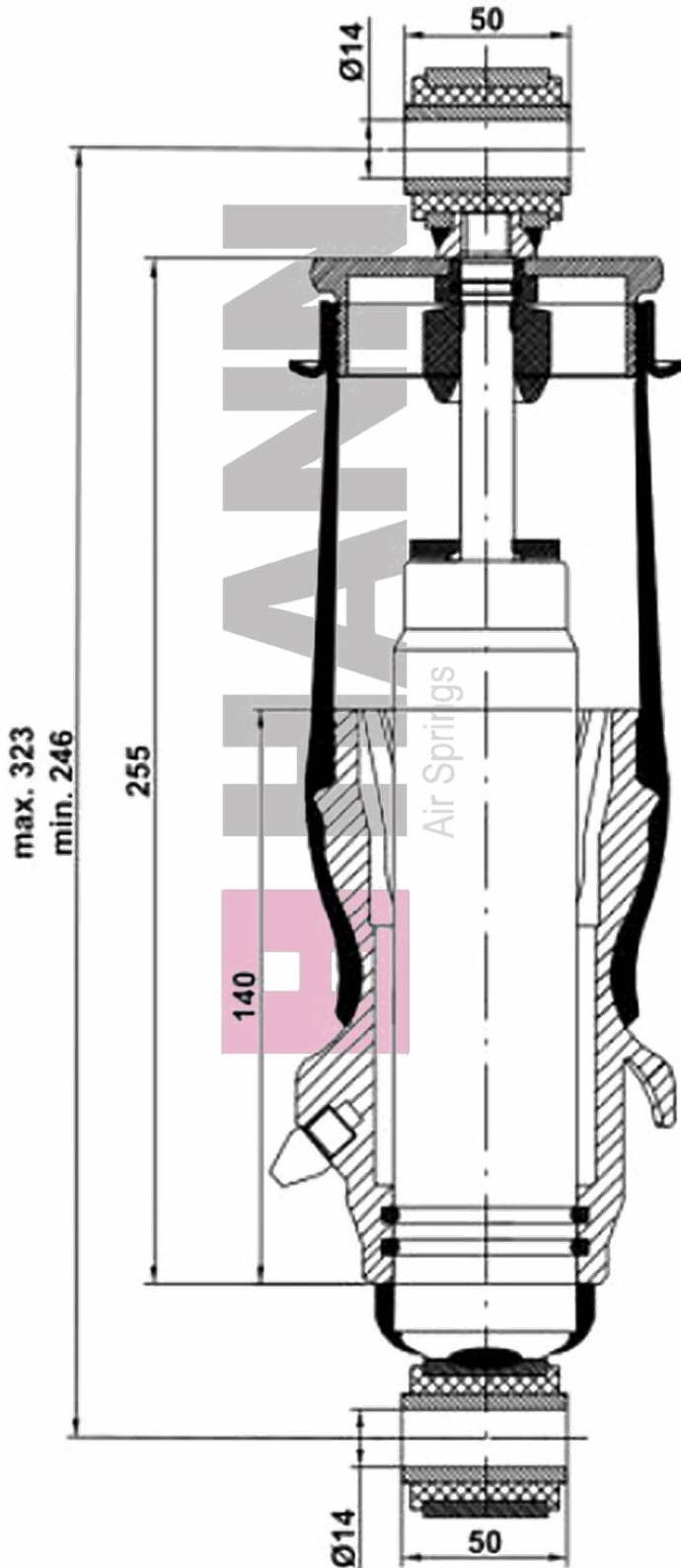
**Vehicle Model:**

MERCEDES - AXOR / ACTROS

# HANN No: H02.2301.RA

Cabin Bellows with Shock Absorber

## TECHNICAL DRAWING



## PRODUCT DETAILS



**Product Type:**

Cabin Bellows with Shock Absorber



**Dimensions:**

80\*120\*85



**Pallet Quantity:**

80



**Weight:**

2.85

## OEM REFERENCES

MERCEDES

942 890 6119

MERCEDES

A 942 890 61 19

## CROSS REFERENCES

SACHS

311664

MONROE

CB0116

## VEHICLE APPLICATION



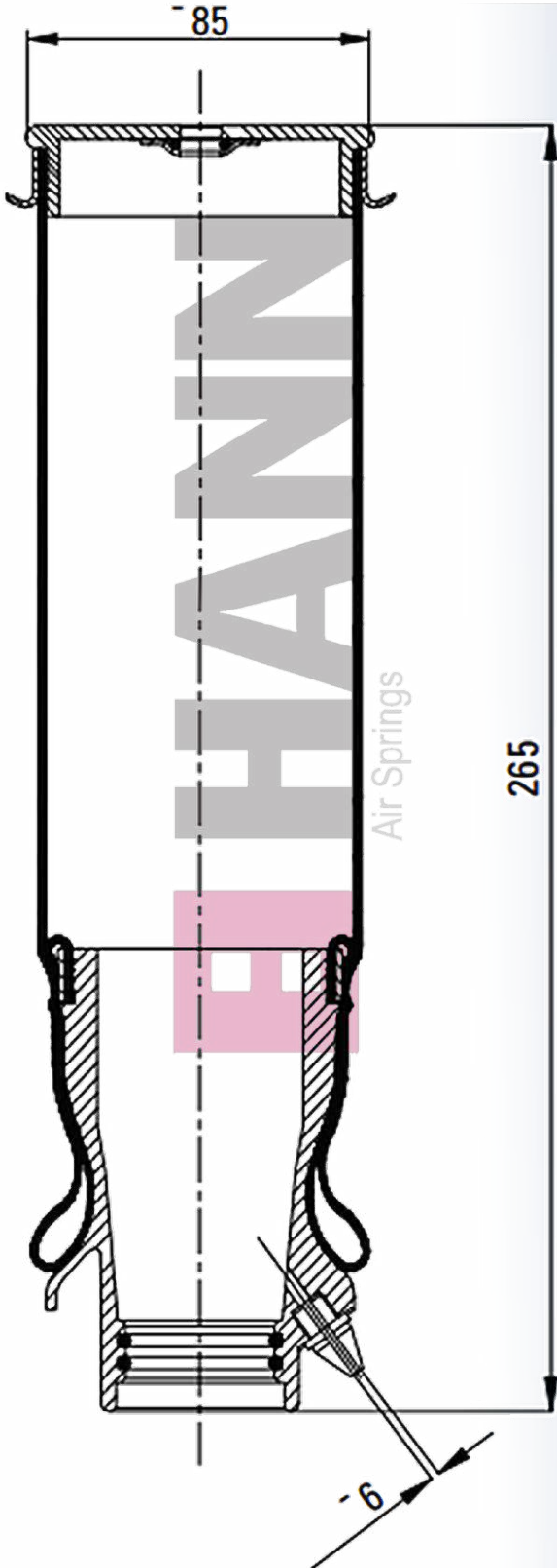
**Vehicle Model:**

MERCEDES - AXOR / ACTROS

# HANN No: H02.3101.F

Cabin Bellows without Shock Absorber

## TECHNICAL DRAWING



## PRODUCT DETAILS



**Product Type:**  
Cabin Bellows without Shock Absorber



**Dimensions:**  
80\*120\*85



**Pallet Quantity:**  
80



**Weight:**  
1

## OEM REFERENCES

MAN | 81.41722.6048

MAN | 81.41722.6051

## CROSS REFERENCES

GOODYEAR | 1SA-AS 017

SACHS | 105855

## VEHICLE APPLICATION

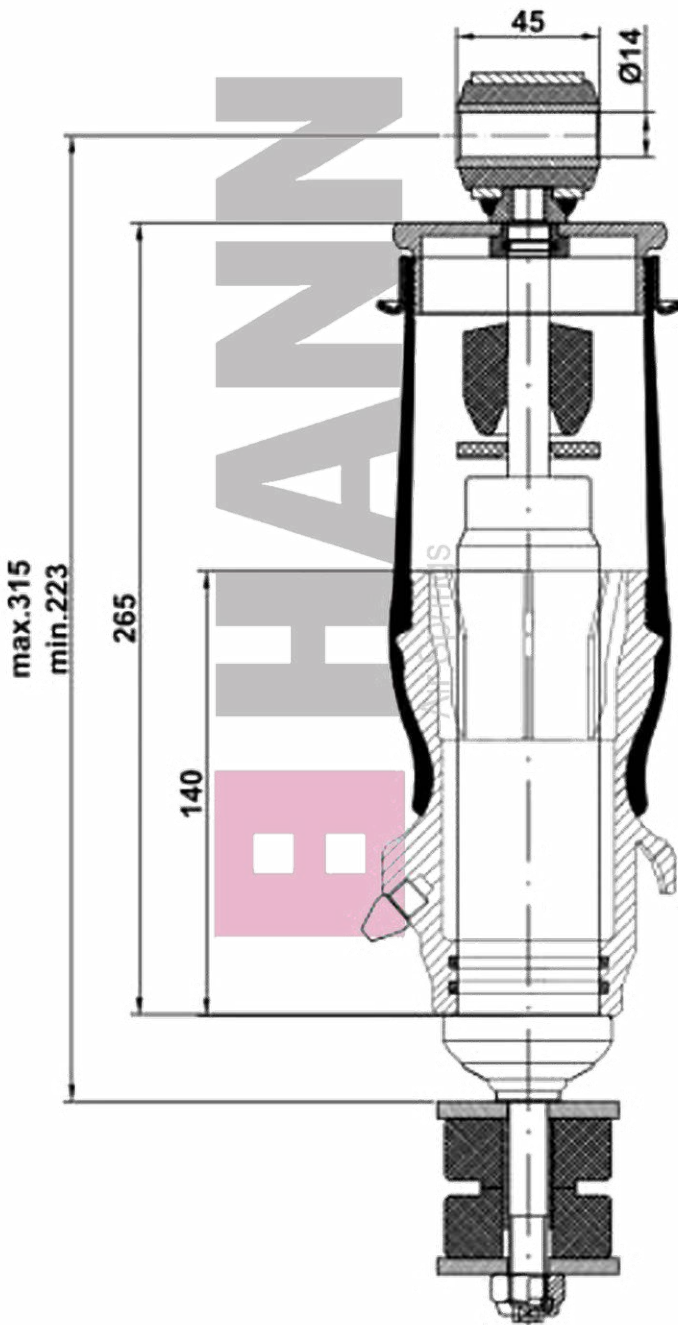


**Vehicle Model:**  
MAN G/M/F / L/M/F/E / TG-TGA 2000

**HANN No: H02.3101.FA**

Cabin Bellows

**TECHNICAL DRAWING**



**PRODUCT DETAILS**



**Product Type:**  
Cabin Bellows



**Dimensions:**  
80\*120\*85



**Pallet Quantity:**  
65



**Weight:**  
2.81

**OEM REFERENCES**

MAN	81.41722.6048
MAN	81.41722.6051

**CROSS REFERENCES**

PHOENIX	CD 075 121 011
SACHS	105855

**VEHICLE APPLICATION**

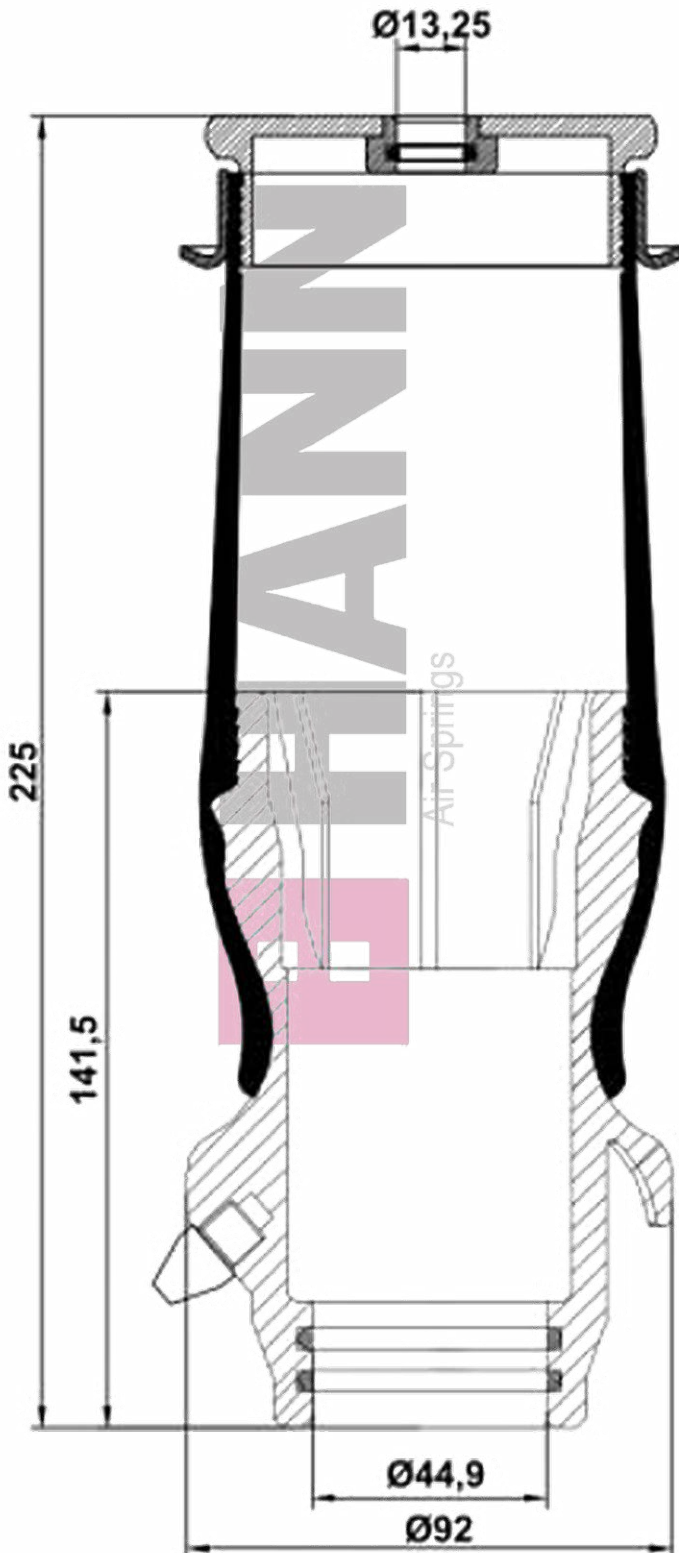


**Vehicle Model:**  
MAN - FH-2000, MAN G/M/F

# HANN No: H02.3101.R

Cabin Bellows without Shock Absorber

## TECHNICAL DRAWING



## PRODUCT DETAILS



**Product Type:**  
Cabin Bellows without Shock Absorber



**Dimensions:**  
80\*120\*85



**Pallet Quantity:**  
80



**Weight:**  
1.02

## OEM REFERENCES

MAN | 81.41722.6049

MAN | 81.41722.6052

## CROSS REFERENCES

PHOENIX | CD 075 120 011

SACHS | 105856

## VEHICLE APPLICATION

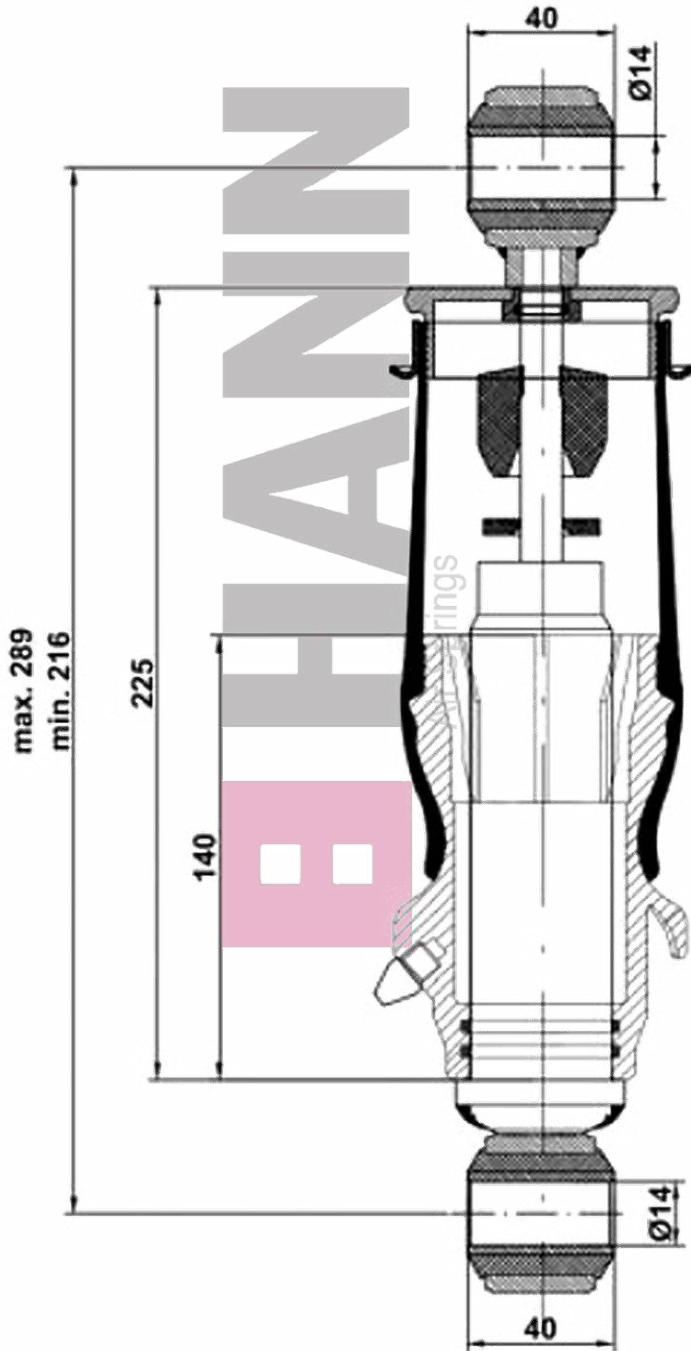


**Vehicle Model:**  
MAN - G/M/F / L / M/F / TG-Serie TGA

# HANN No: H02.3101.RA

Cabin Bellows with Shock Absorber

## TECHNICAL DRAWING



## PRODUCT DETAILS



**Product Type:**  
Cabin Bellows with Shock Absorber



**Dimensions:**  
80\*120\*85



**Pallet Quantity:**  
65



**Weight:**  
2.39

## OEM REFERENCES

MAN	81.41722.6028
MAN	81.41722.6049
MAN	81.41722.6052

## CROSS REFERENCES

PHOENIX	CD 075 120 011
SACHS	105856
MONROE	CB0091
AIRCRAFT	204001K
GOODYEAR	1SA-AS 016
FIRESTONE	W02-M58-8021

## VEHICLE APPLICATION

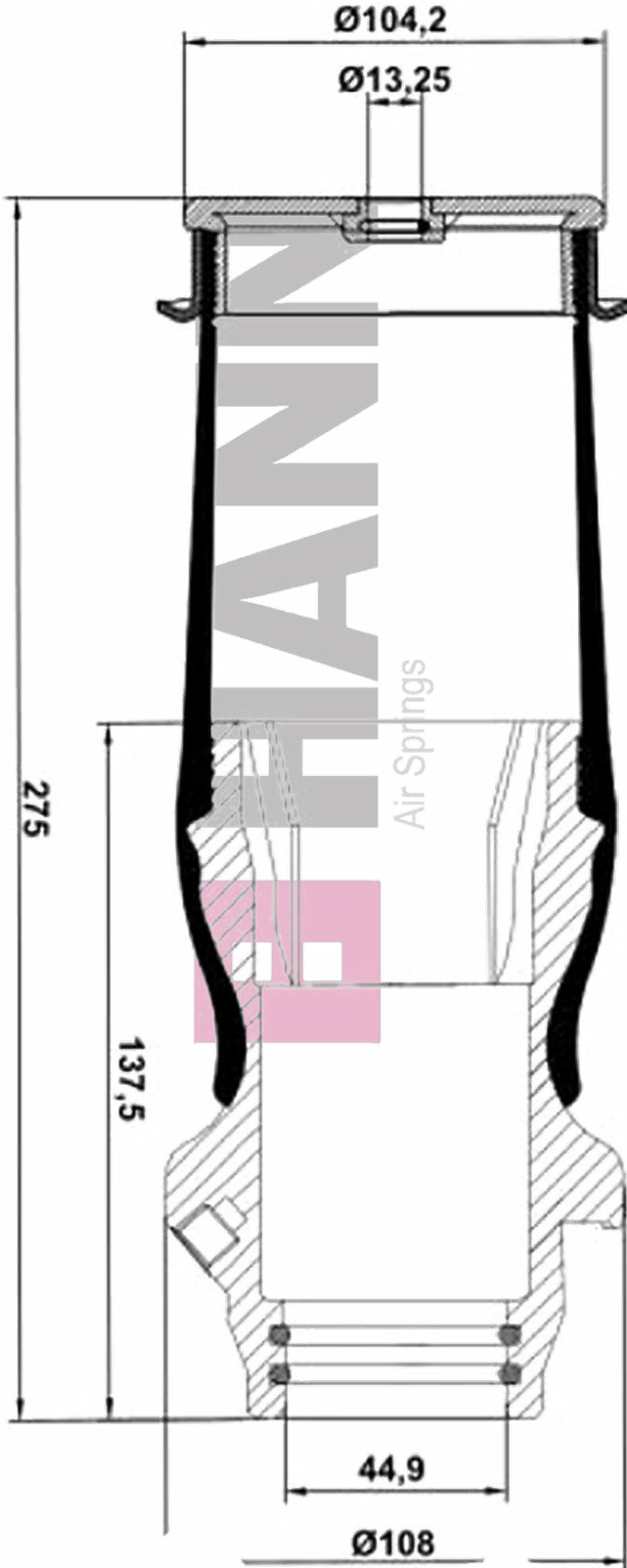


**Vehicle Model:**  
MAN - G/M/F 90 / L/M/F/E -TG-Serie / TGA

# HANN No: H02.3102.F

Cabin Bellows without Shock Absorber

## TECHNICAL DRAWING



## PRODUCT DETAILS



**Product Type:**  
Cabin Bellows without Shock Absorber



**Dimensions:**  
80\*120\*85



**Pallet Quantity:**  
80



**Weight:**  
1.2

## OEM REFERENCES

MAN	81.41722.6077
MAN	85.41722.6008
MAN	85.41722.6014
MAN	85.41722.6022

## CROSS REFERENCES

## VEHICLE APPLICATION

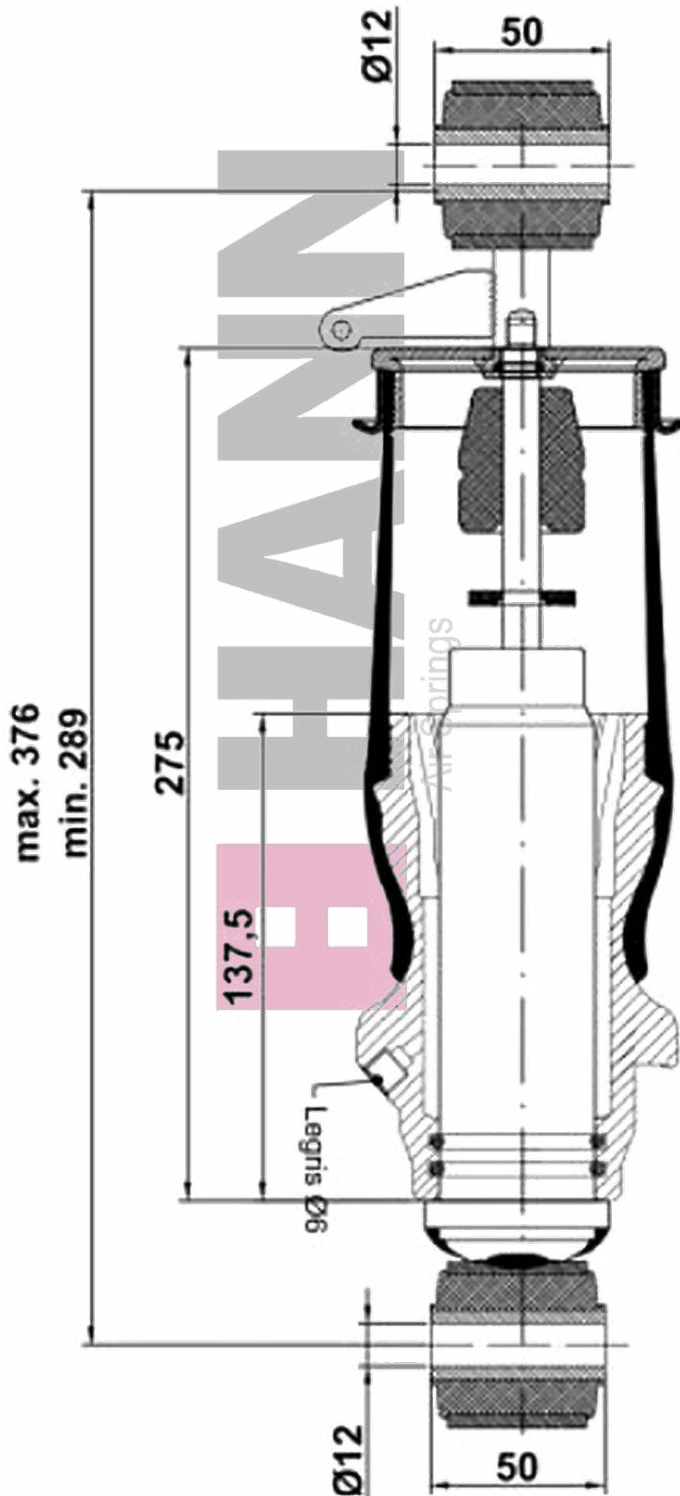


**Vehicle Model:**  
MAN - TG-Serie - TGA

# HANN No: H02.3102.FA

Cabin Bellows with Shock Absorber

## TECHNICAL DRAWING



## PRODUCT DETAILS



**Product Type:**  
Cabin Bellows with Shock Absorber



**Dimensions:**  
80\*120\*85



**Pallet Quantity:**  
80



**Weight:**  
3.25

## OEM REFERENCES

MAN	81.41722.6078
MAN	81.41722.6092
MAN	81.41722.6093
MAN	81.41722.6077
MAN	85.41722.6008
MAN	85.41722.6014
MAN	85.41722.6022

## CROSS REFERENCES

SACHS	135194
SACHS	135196
SACHS	313181

## VEHICLE APPLICATION

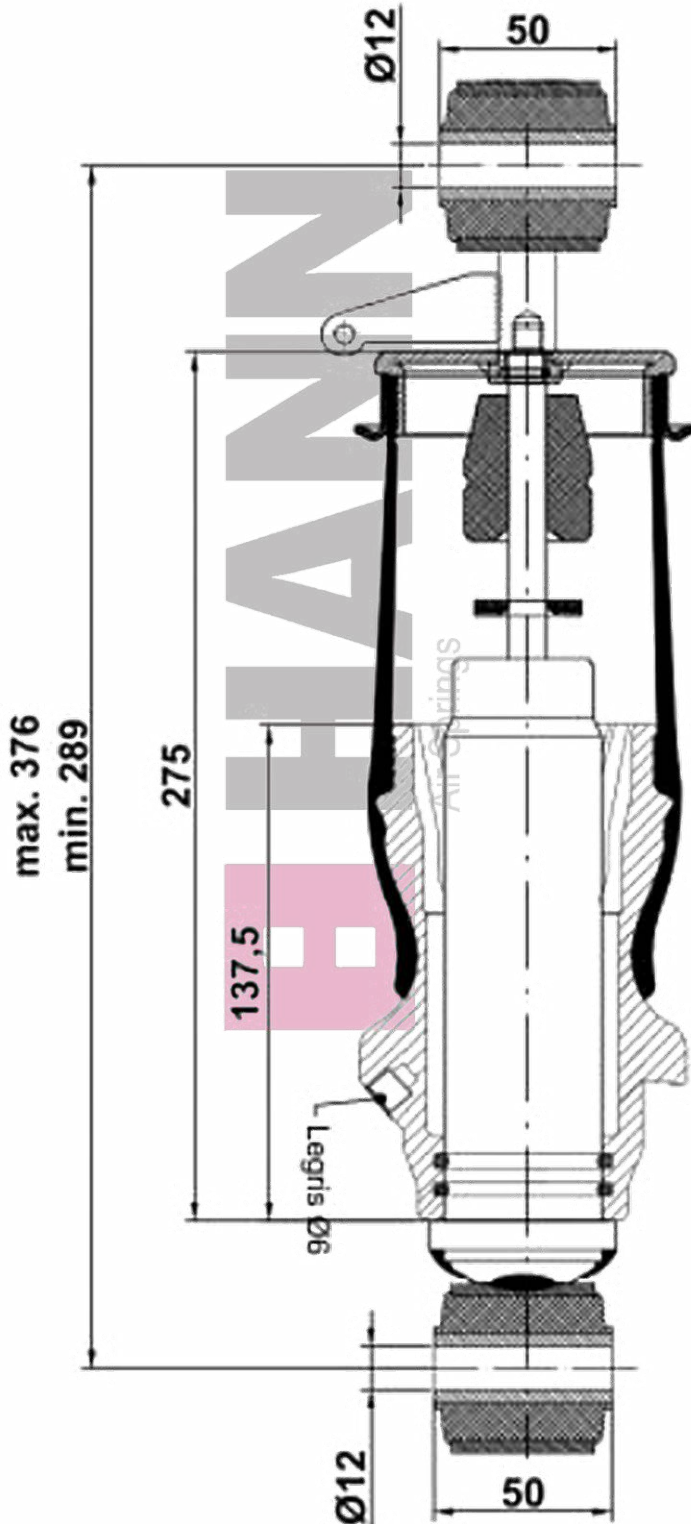


**Vehicle Model:**  
MAN - TGA, MAN TG-Serie

# HANN No: H02.3103.FA

Cabin Bellows with Shock Absorber

## TECHNICAL DRAWING



## PRODUCT DETAILS



**Product Type:**  
Cabin Bellows with Shock Absorber



**Dimensions:**  
80\*120\*85



**Pallet Quantity:**  
80



**Weight:**  
-

## OEM REFERENCES

MAN	81.41722.6078
MAN	85.41722.6009
MAN	85.41722.6015
MAN	85.41722.6023

## CROSS REFERENCES

SACHS	313182
SACHS	135195
SACHS	135197

## VEHICLE APPLICATION

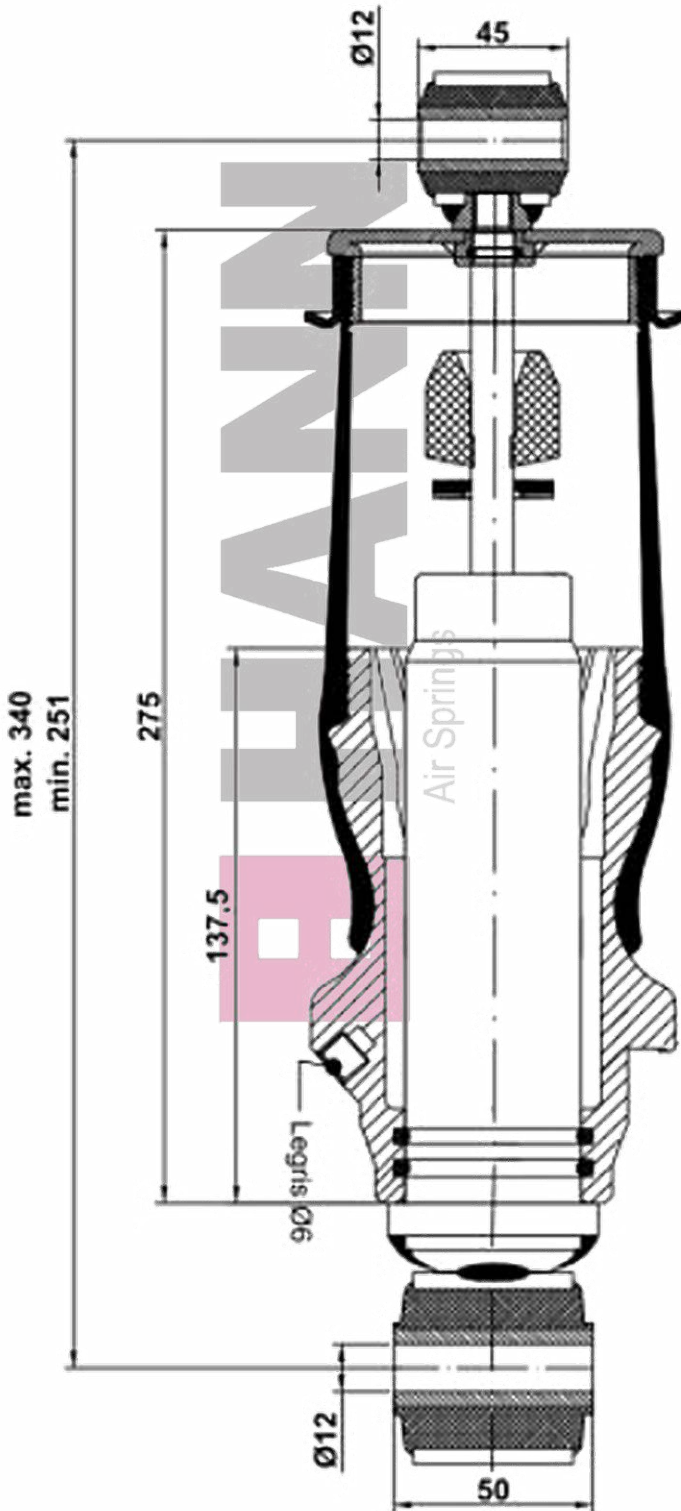


**Vehicle Model:**  
MAN - TGA, MAN TG-Serie

# HANN No: H02.3104.RA

Cabin Bellows with Shock Absorber

## TECHNICAL DRAWING



## PRODUCT DETAILS



**Product Type:**  
Cabin Bellows with Shock Absorber



**Dimensions:**  
80\*120\*85



**Pallet Quantity:**  
80



**Weight:**  
3.02

## OEM REFERENCES

MAN	81.41722.6057
MAN	81.41722.6075
MAN	85.41722.6006
MAN	85.41722.6012

## CROSS REFERENCES

SACHS	135198
VIBRACOUSTIC	313183

## VEHICLE APPLICATION

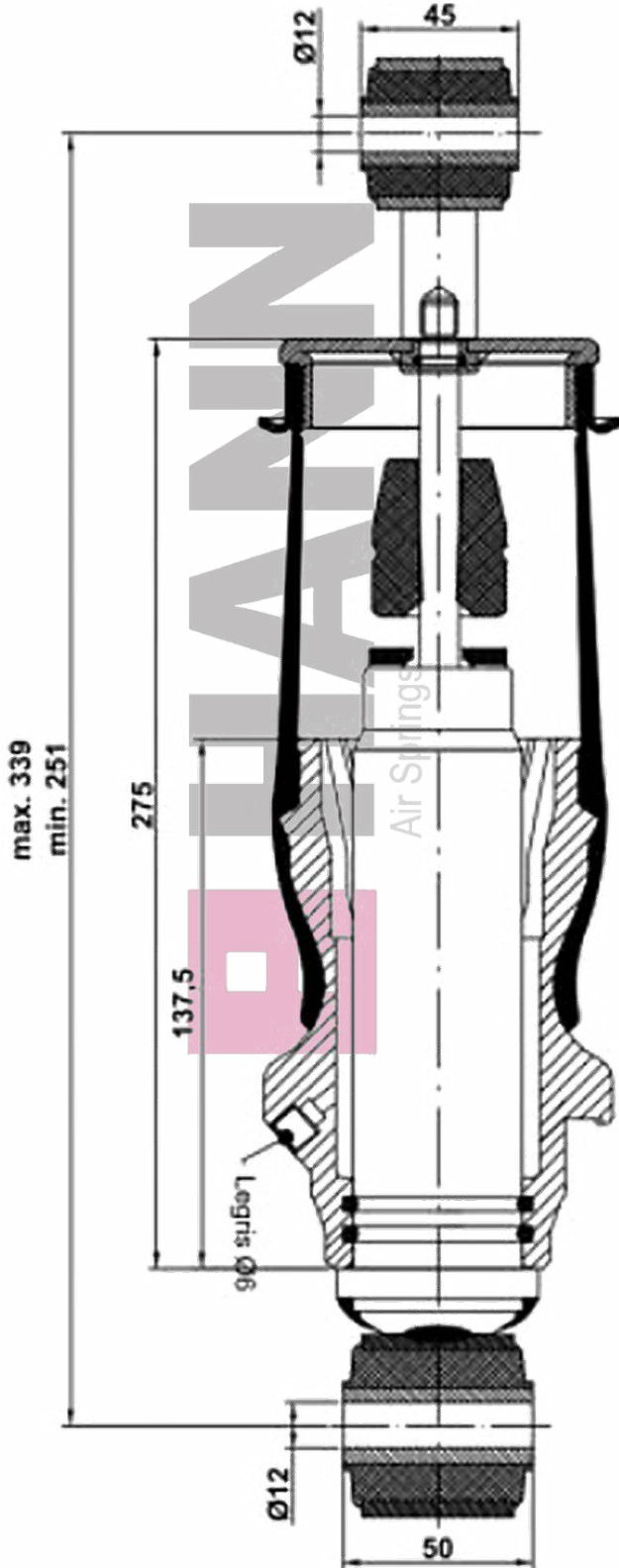


**Vehicle Model:**  
MAN - TG-Serie TGA / TGL / TGM / TGS / TGX

# HANN No: H02.3105.RA

Cabin Bellows with Shock Absorber

## TECHNICAL DRAWING



## PRODUCT DETAILS



**Product Type:**  
Cabin Bellows with Shock Absorber



**Dimensions:**  
80\*120\*85



**Pallet Quantity:**  
65



**Weight:**  
3.77

## OEM REFERENCES

MAN	81.41722.6058
MAN	85.41722.6007
MAN	85.41722.6013
MAN	85.41722.6024

## CROSS REFERENCES

SACHS	135199
SACHS	135200
SACHS	313184

## VEHICLE APPLICATION

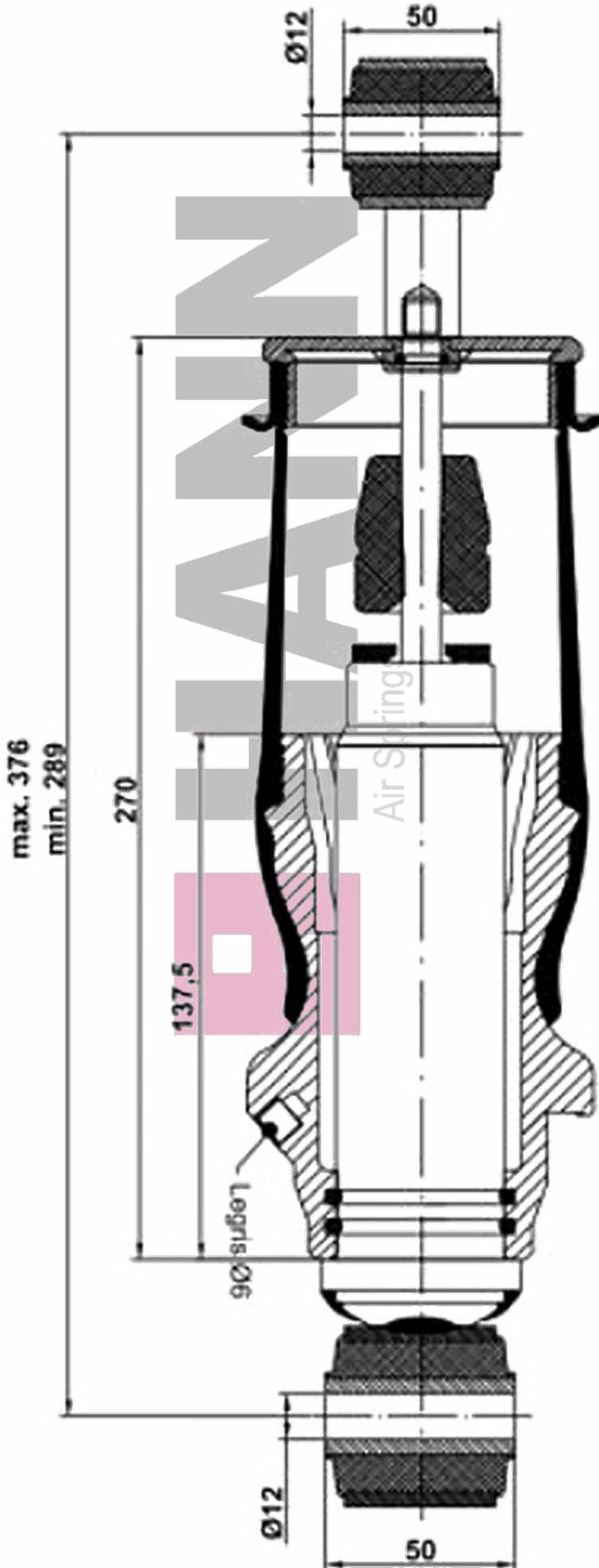


**Vehicle Model:**  
MAN - TG-Serie TGA / TGL / TGM / TGS / TGX

# HANN No: H02.3106.RA

Cabin Bellows with Shock Absorber

## TECHNICAL DRAWING



## PRODUCT DETAILS



**Product Type:**  
Cabin Bellows with Shock Absorber



**Dimensions:**  
80\*120\*85



**Pallet Quantity:**  
65



**Weight:**  
3.28

## OEM REFERENCES

MAN	81.41722.6066	MAN	81.41722.6072
MAN	81.41722.6067	MAN	81.41722.6082
MAN	81.41722.6069	MAN	81.41722.6053
MAN	81.41722.6070	MAN	81.41722.6054
MAN	81.41722.6071		

## CROSS REFERENCES

SACHS | 300013

## VEHICLE APPLICATION



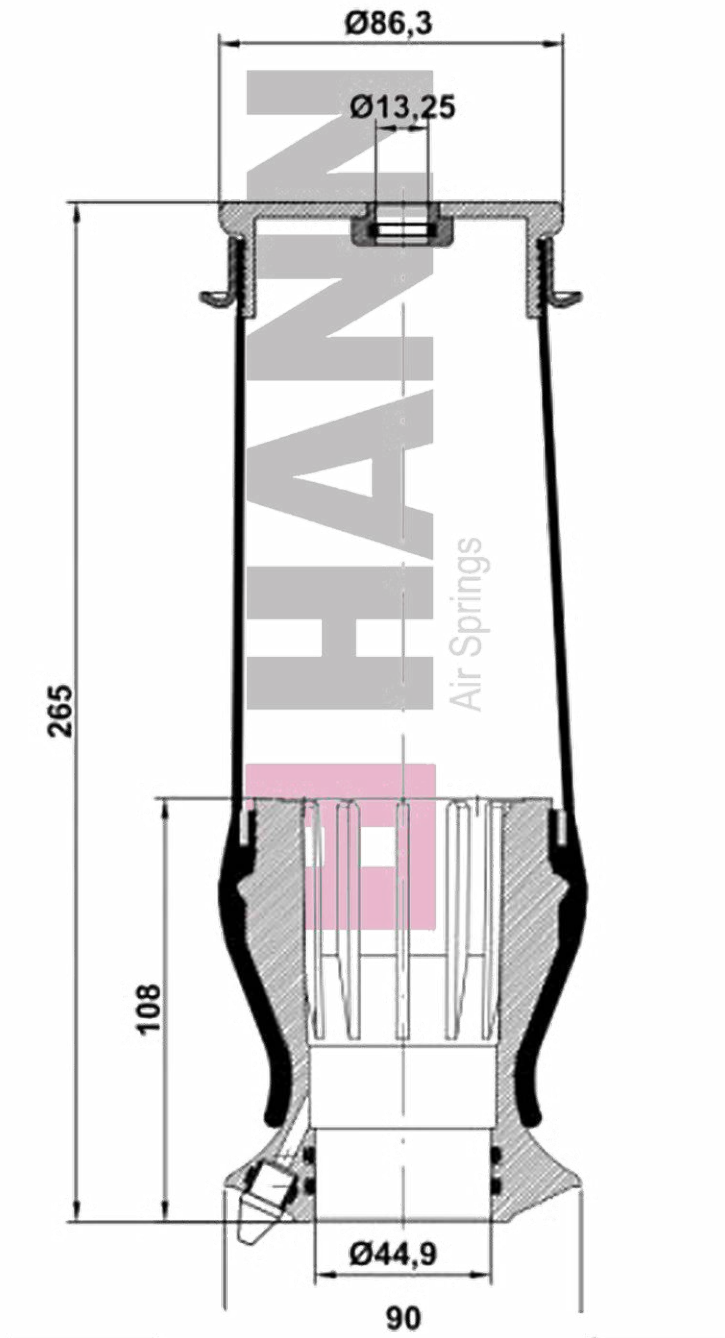
**Vehicle Model:**  
MAN - TG-Serie / TGS / TGX

# HANN No: H02.4101.F

Cabin Bellows without Shock Absorber

## TECHNICAL DRAWING

## PRODUCT DETAILS



**Product Type:**  
Cabin Bellows without Shock Absorber



**Dimensions:**  
80\*120\*85



**Pallet Quantity:**  
80



**Weight:**  
1.00

## OEM REFERENCES

IVECO | 5003 57352

## CROSS REFERENCES

SACHS | 310821

## VEHICLE APPLICATION

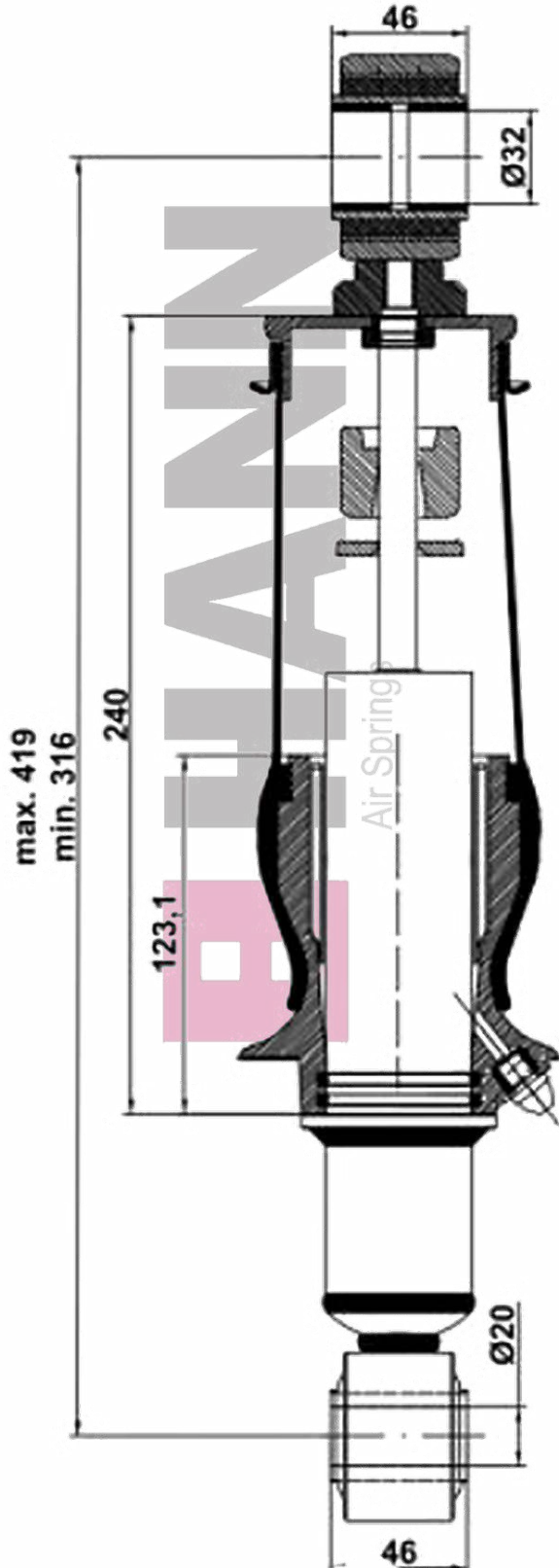


**Vehicle Model:**  
Iveco - Stralis

# HANN No: H02.4101.FA

Cabin Bellows with Shock Absorber

## TECHNICAL DRAWING



## PRODUCT DETAILS



**Product Type:**

Cabin Bellows with Shock Absorber



**Dimensions:**

80\*120\*85



**Pallet Quantity:**

65



**Weight:**

3.98

## OEM REFERENCES

IVECO

5 0034 0705

IVECO

5003 57351

## CROSS REFERENCES

SACHS

310820

## VEHICLE APPLICATION



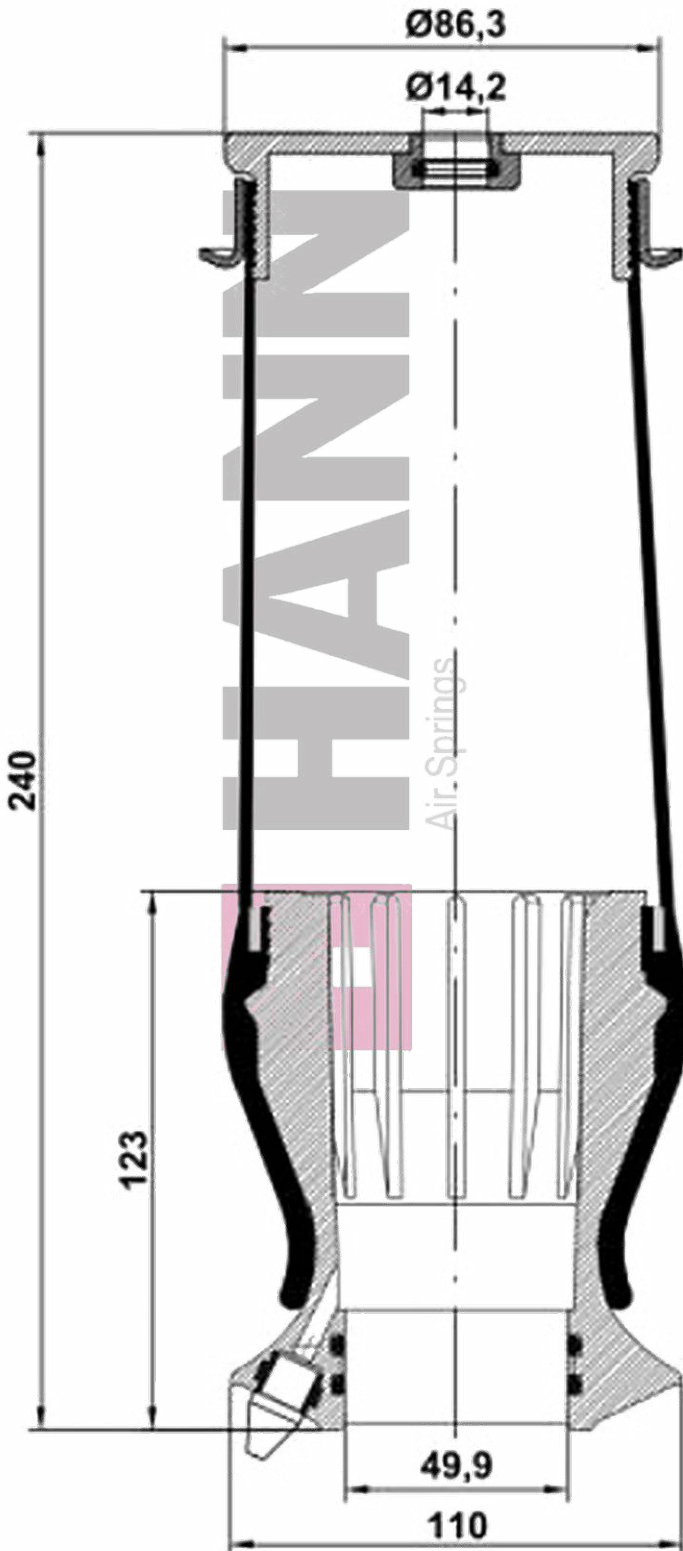
**Vehicle Model:**

Iveco Stralis Stralis

**HANN No: H02.4103.F**

Cabin Bellows without Shock Absorber

**TECHNICAL DRAWING**



**PRODUCT DETAILS**



**Product Type:**  
Cabin Bellows without Shock Absorber



**Dimensions:**  
80\*120\*83



**Pallet Quantity:**  
80



**Weight:**  
-

**OEM REFERENCES**

IVECO | 5 0035 7351

IVECO | 500340705

**CROSS REFERENCES**

Kaynak sayfada belirtilmemiş

**VEHICLE APPLICATION**

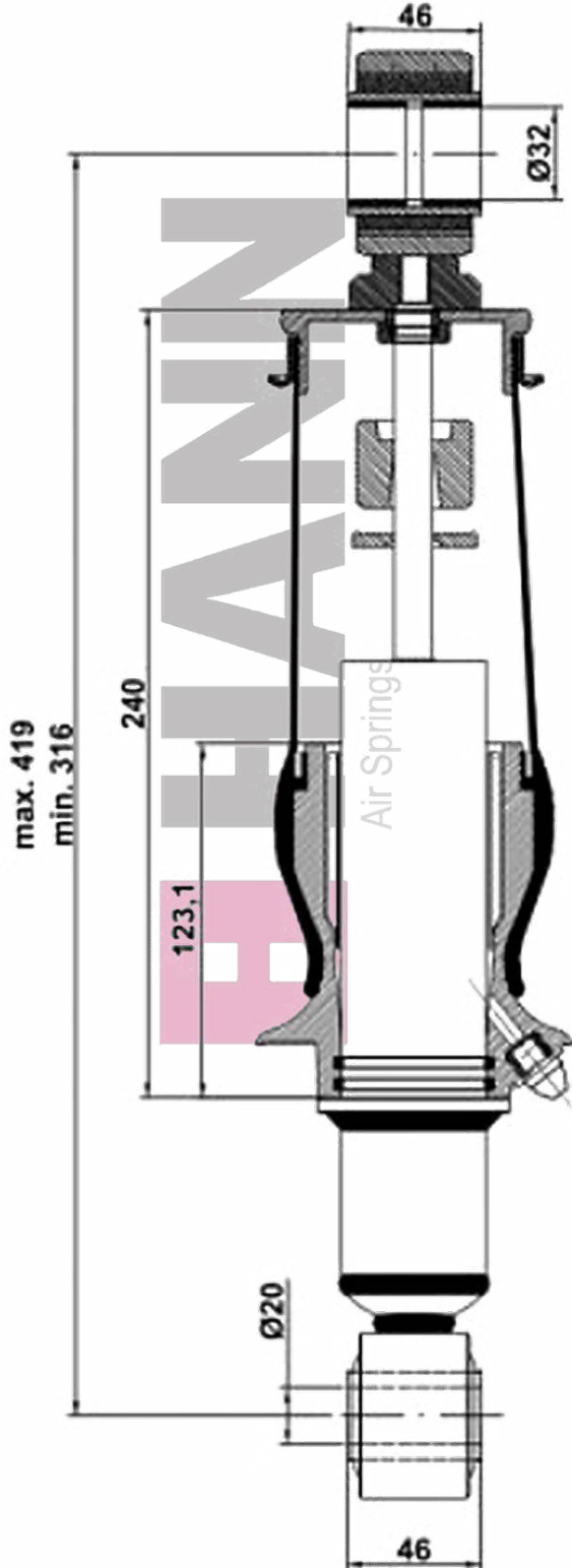


**Vehicle Model:**  
Iveco - Stralis

# HANN No: H02.4103.FA

Cabin Bellows with Shock Absorber

## TECHNICAL DRAWING



## PRODUCT DETAILS



**Product Type:**

Cabin Bellows with Shock Absorber



**Dimensions:**

80\*120\*85



**Pallet Quantity:**

65



**Weight:**

3.98

## OEM REFERENCES

IVECO

5003 40705

## CROSS REFERENCES

SACHS

310 820

AIRCRAFT

128013K

FIRESTONE

W02-M58-8025

BLACKTECH

110 30 CA

## VEHICLE APPLICATION



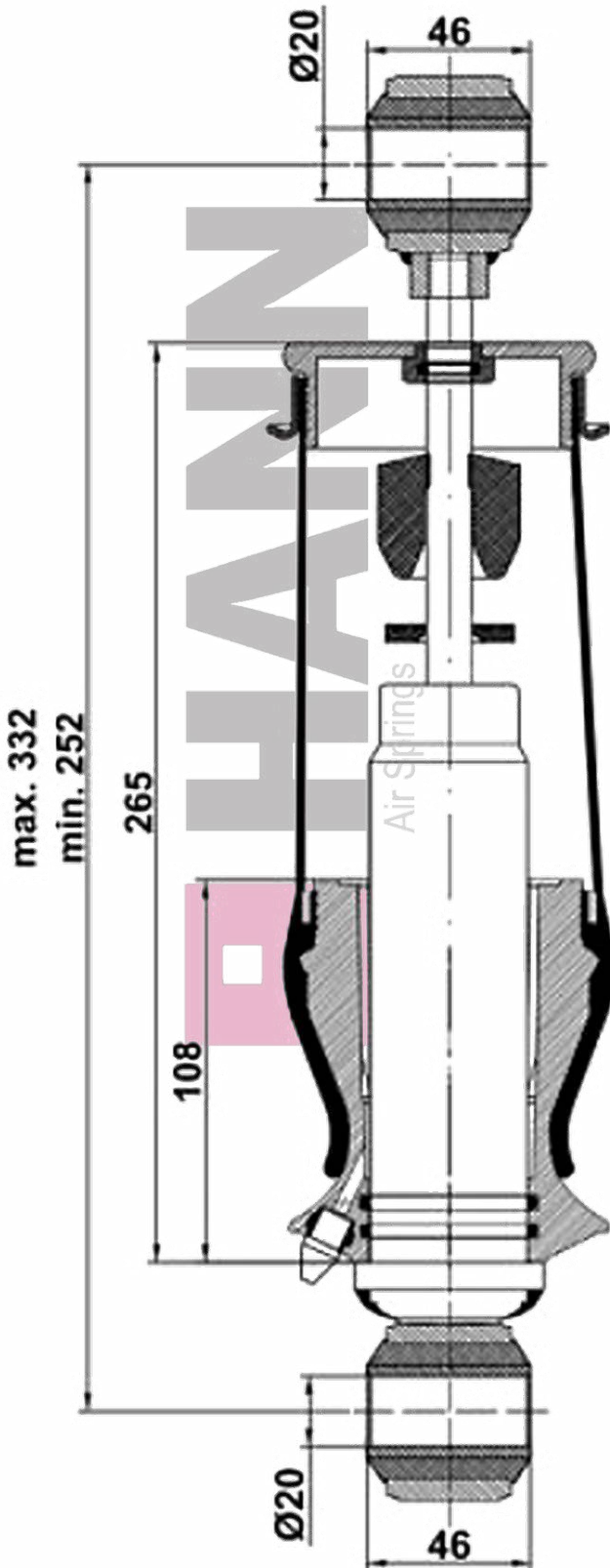
**Vehicle Model:**

Iveco - Stralis Stralis

# HANN No: H02.4103.RA

Cabin Bellows with Shock Absorber

## TECHNICAL DRAWING



## PRODUCT DETAILS



**Product Type:**

Cabin Bellows with Shock Absorber



**Dimensions:**

80\*120\*85



**Pallet Quantity:**

80



**Weight:**

2.89

## OEM REFERENCES

IVECO	0299 7844
IVECO	9738 3886
IVECO	5 0034 0706
IVECO	5003 57352
ARVIN MERITOR	908 322 986

## CROSS REFERENCES

MONROE	CB0136
SACHS	310821
AIRCRAFT	128014K
FIRESTONE	W02-M58-8026
BLACKTECH	110 26 CA

## VEHICLE APPLICATION



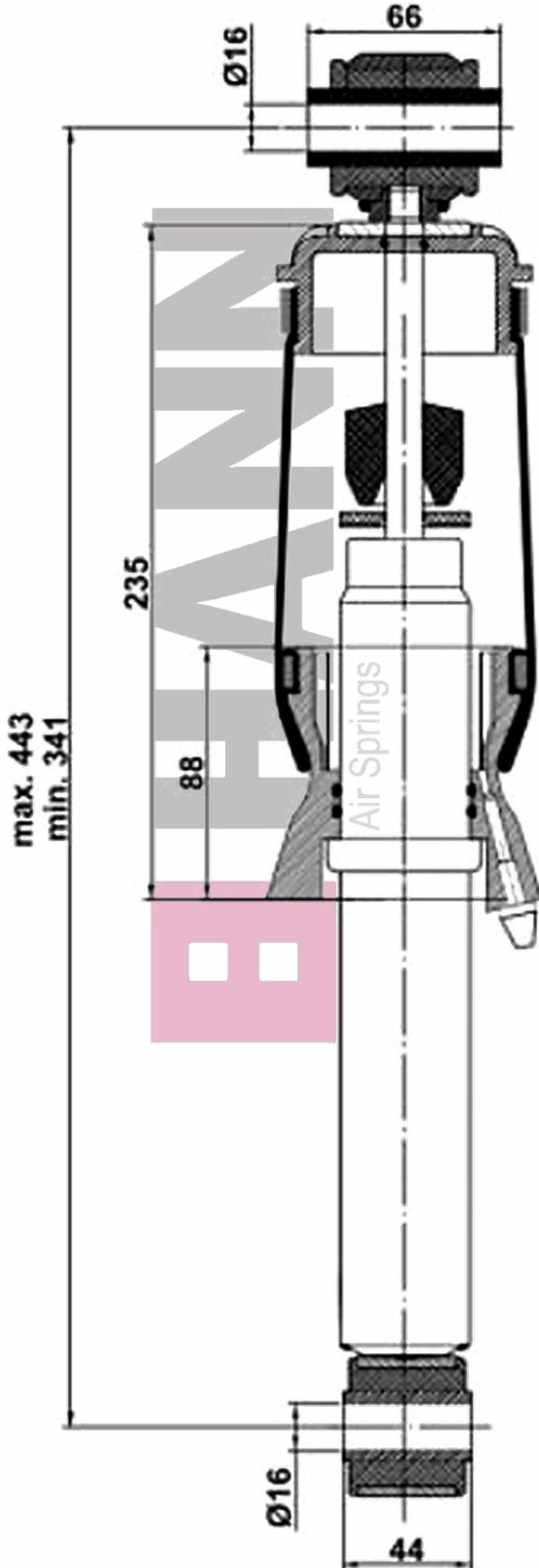
**Vehicle Model:**

Iveco - Stralis Stralis

# HANN No: H02.4104.RA

Cabin Bellows with Shock Absorber

## TECHNICAL DRAWING



## PRODUCT DETAILS



**Product Type:**  
Cabin Bellows with Shock Absorber



**Dimensions:**  
80\*120\*83



**Pallet Quantity:**  
80



**Weight:**  
2.94

## OEM REFERENCES

IVECO	0299 7845
IVECO	5 0406 0233
IVECO	9738 3888
IVECO	5040 60241
ARVIN MERITOR	928 323 140

## CROSS REFERENCES

SACHS	311884
SACHS	73 1700 000 277
SACHS	73 1700 002 845
AIRCRAFT	128015K
FIRESTONE	W02-M58-8027
BLACKTECH	110 29 CA

## VEHICLE APPLICATION

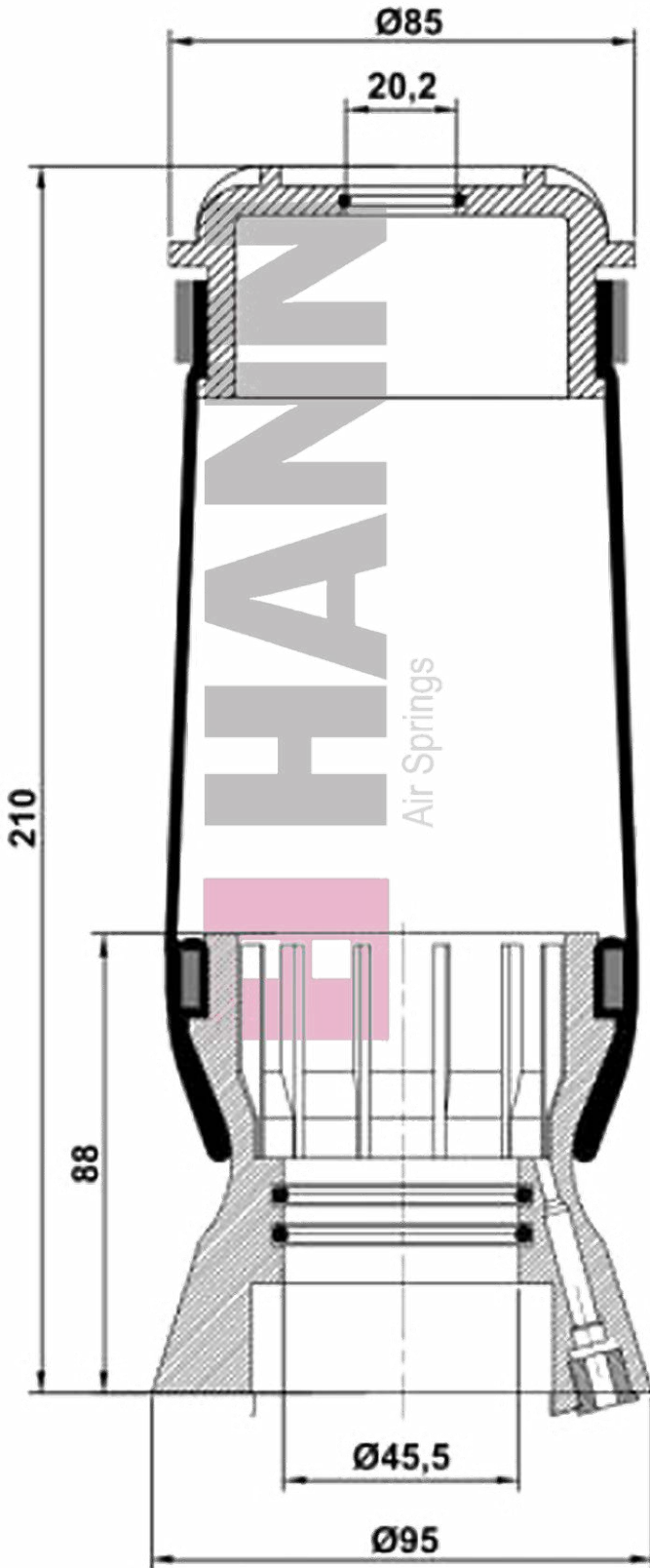


**Vehicle Model:**  
Iveco - Powerstar Powerstar - Stralis  
Stralis - Iveco Trakker

# HANN No: H02.4201.F

Cabin Bellows without Shock Absorber

## TECHNICAL DRAWING



## PRODUCT DETAILS



**Product Type:**  
Cabin Bellows without Shock Absorber



**Dimensions:**  
80\*120\*85



**Pallet Quantity:**  
80



**Weight:**  
-

## OEM REFERENCES

IVECO	4102 8763
IVECO	4102 8764
IVECO	5003 48793
IVECO	5003 77878

## CROSS REFERENCES

PHOENIX	CD 075 119 012
SACHS	115743

## VEHICLE APPLICATION

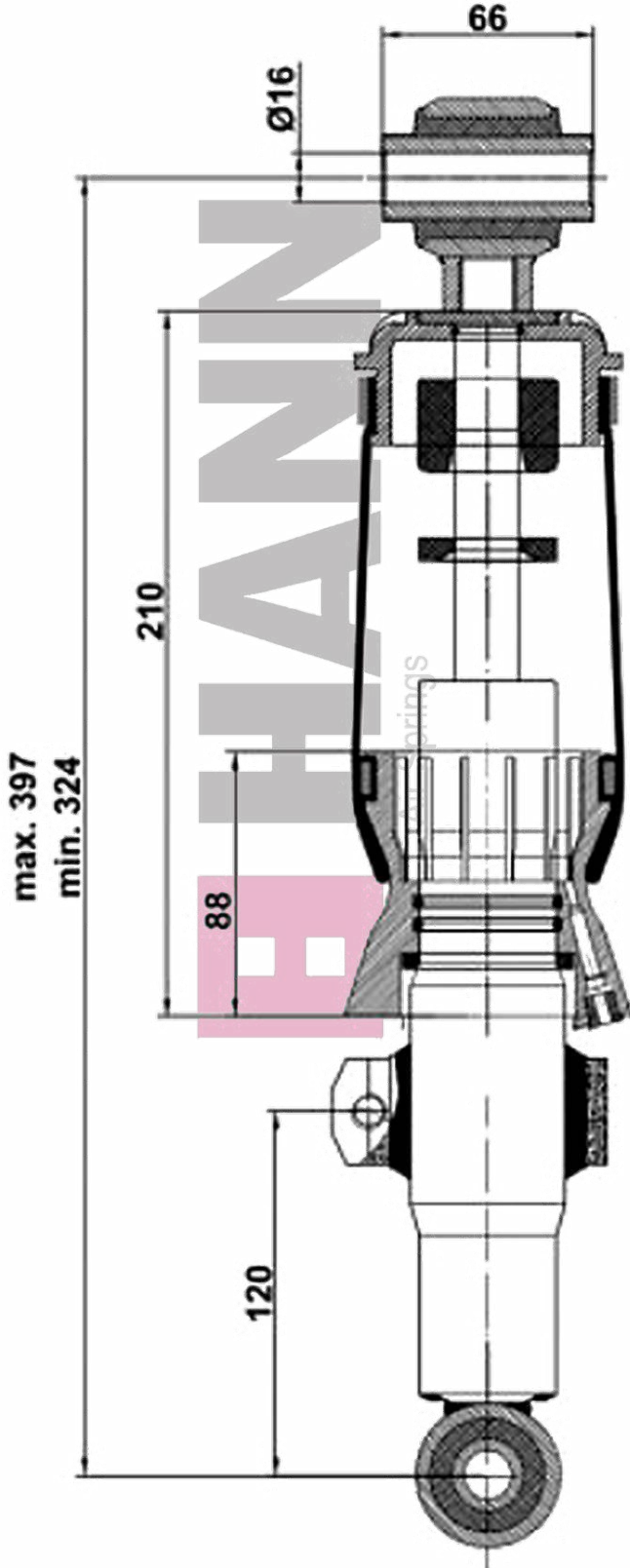


**Vehicle Model:**  
Iveco - EuroStar / EuroTech

# HANN No: H02.4201.RA

Cabin Bellows with Shock Absorber

## TECHNICAL DRAWING



## PRODUCT DETAILS



**Product Type:**  
Cabin Bellows with Shock Absorber



**Dimensions:**  
80\*120\*85



**Pallet Quantity:**  
80



**Weight:**  
3.54

## OEM REFERENCES

IVECO	4102 8763
IVECO	4102 8764
IVECO	5003 48793
IVECO	5003 77878

## CROSS REFERENCES

PHOENIX	CD 075 119 012
SACHS	115743
MONROE	CB0099
AIRCRAFT	128010K
GOODYEAR	1SA-AS 019
FIRESTONE	W02-M58-8028
BLACKTECH	110 33 CA

## VEHICLE APPLICATION

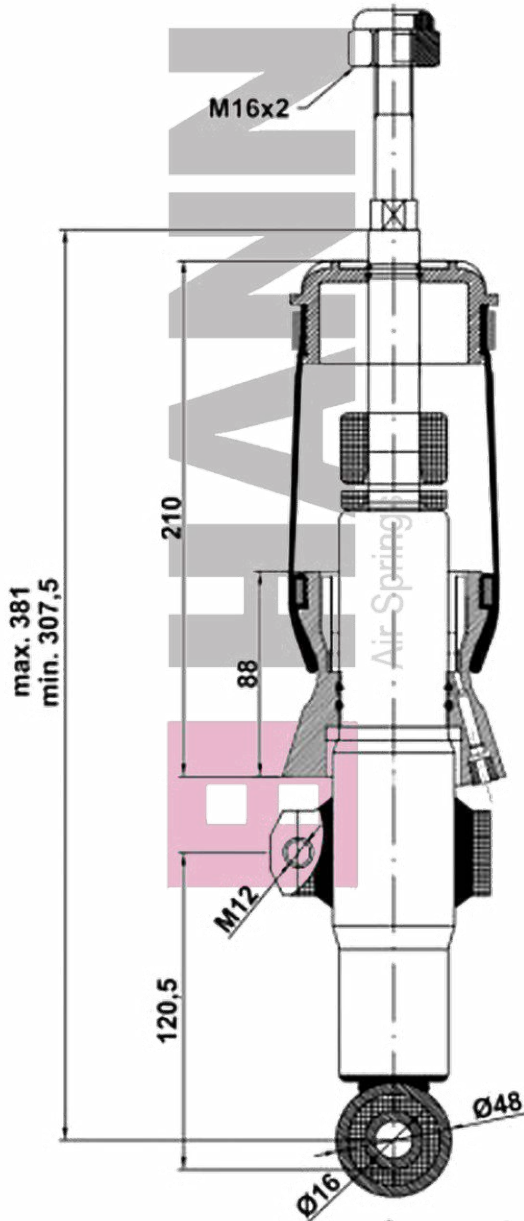


**Vehicle Model:**  
IVECO - EUROSTAR / EUROTECH EUROTRAKKER,

# HANN No: H02.4202.RA

Cabin Bellows with Shock Absorber

## TECHNICAL DRAWING



## PRODUCT DETAILS



**Product Type:**  
Cabin Bellows with Shock Absorber



**Dimensions:**  
80\*120\*85



**Pallet Quantity:**  
80



**Weight:**  
3.90

## OEM REFERENCES

IVECO	5003 52808
IVECO	5003 77338
IVECO	5003 79698
IVECO	9847 2734
IVECO	9943 8514
IVECO	9945 5937

## CROSS REFERENCES

PHOENIX	CD 075 119 011
SACHS	115731
SACHS	115902
MONROE	CB0098
AIRCRAFT	128011K
GOODYEAR	1SA-AS 018
BLACKTECH	110 34 CA

## VEHICLE APPLICATION

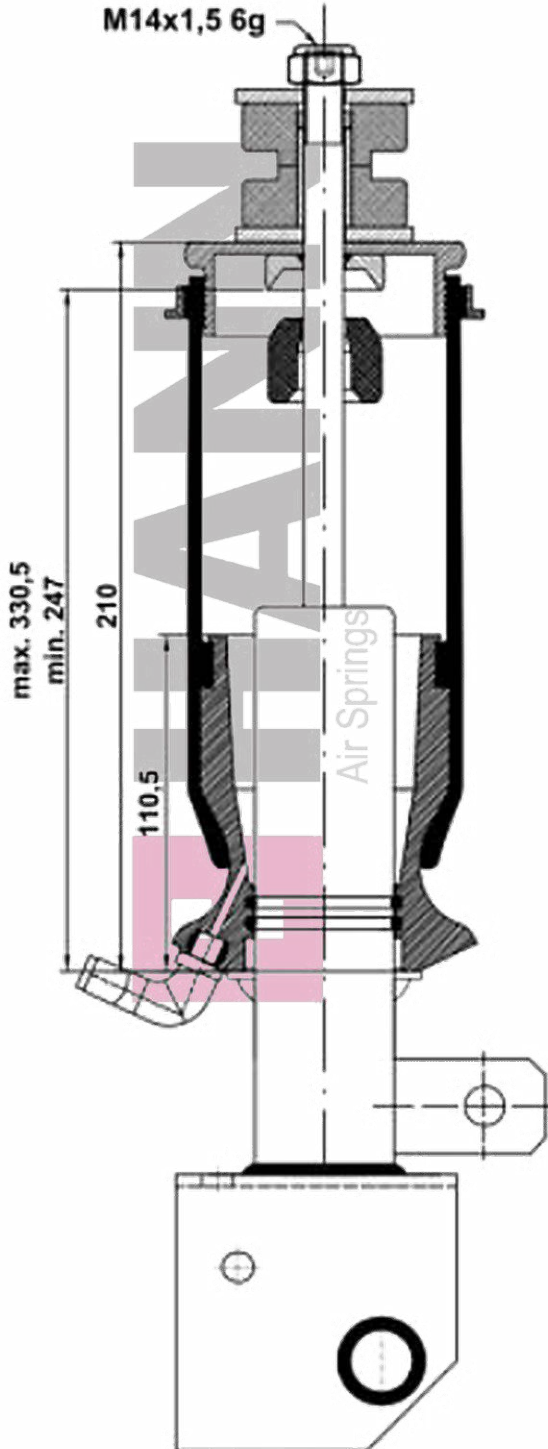


**Vehicle Model:**  
IVECO - EUROTECH / EUROSTAR TYPE L

# HANN No: H02.5203.RA

Cabin Bellows with Shock Absorber

## TECHNICAL DRAWING



## PRODUCT DETAILS



**Product Type:**  
Cabin Bellows with Shock Absorber



**Dimensions:**  
80\*120\*85



**Pallet Quantity:**  
-



**Weight:**  
4.04

## OEM REFERENCES

RENAULT | 5010 228 849

## CROSS REFERENCES

MONROE | CB0070

AIRCRAFT | 228849K

BLACKTECH | 110 45 CA

## VEHICLE APPLICATION

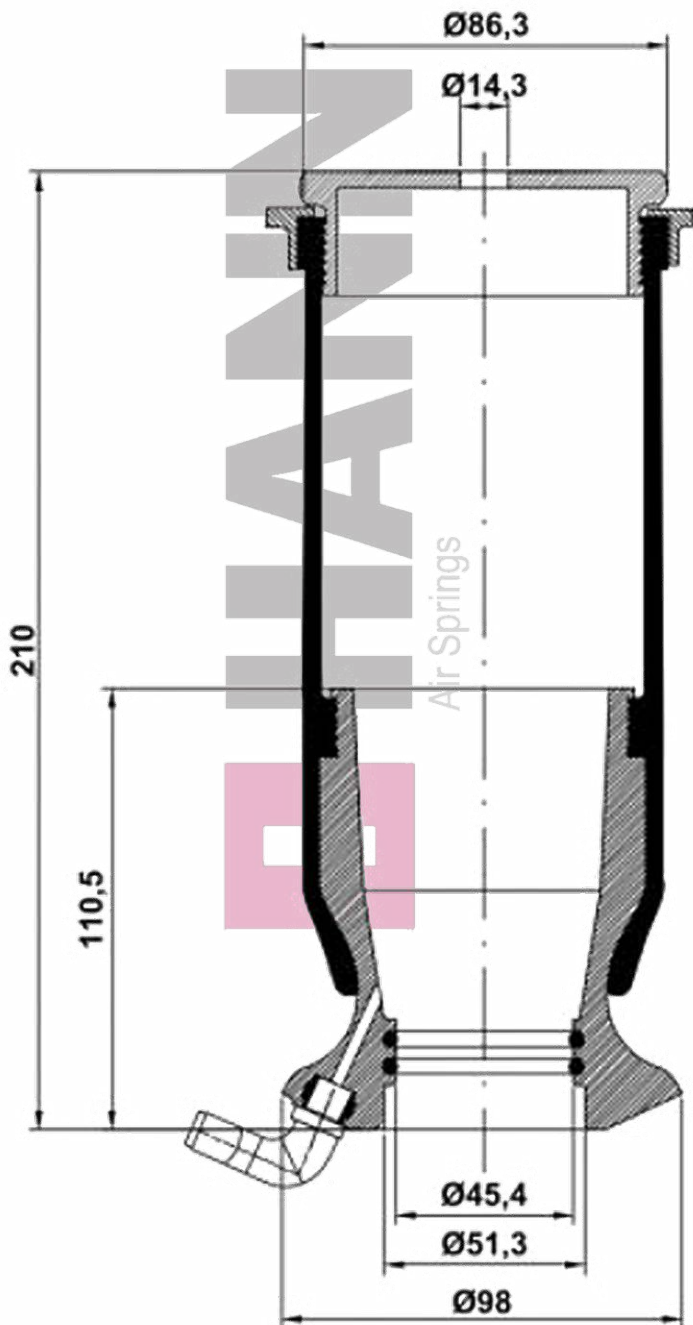


**Vehicle Model:**  
Renault - Magnum E-Tech

### HANN No: H02.5204.B

Cabin Bellows without Shock Absorber

#### TECHNICAL DRAWING



#### PRODUCT DETAILS



**Product Type:**

Cabin Bellows without Shock Absorber



**Dimensions:**

80\*120\*83



**Pallet Quantity:**

80



**Weight:**

-

#### OEM REFERENCES

RENAULT	74 20 898 055
RENAULT	74 82 052 893
RENAULT	5010 552 241
RENAULT	742898055
VOLVO	20591650
VOLVO	82052893

#### CROSS REFERENCES

MONROE	CB0118
--------	--------

#### VEHICLE APPLICATION



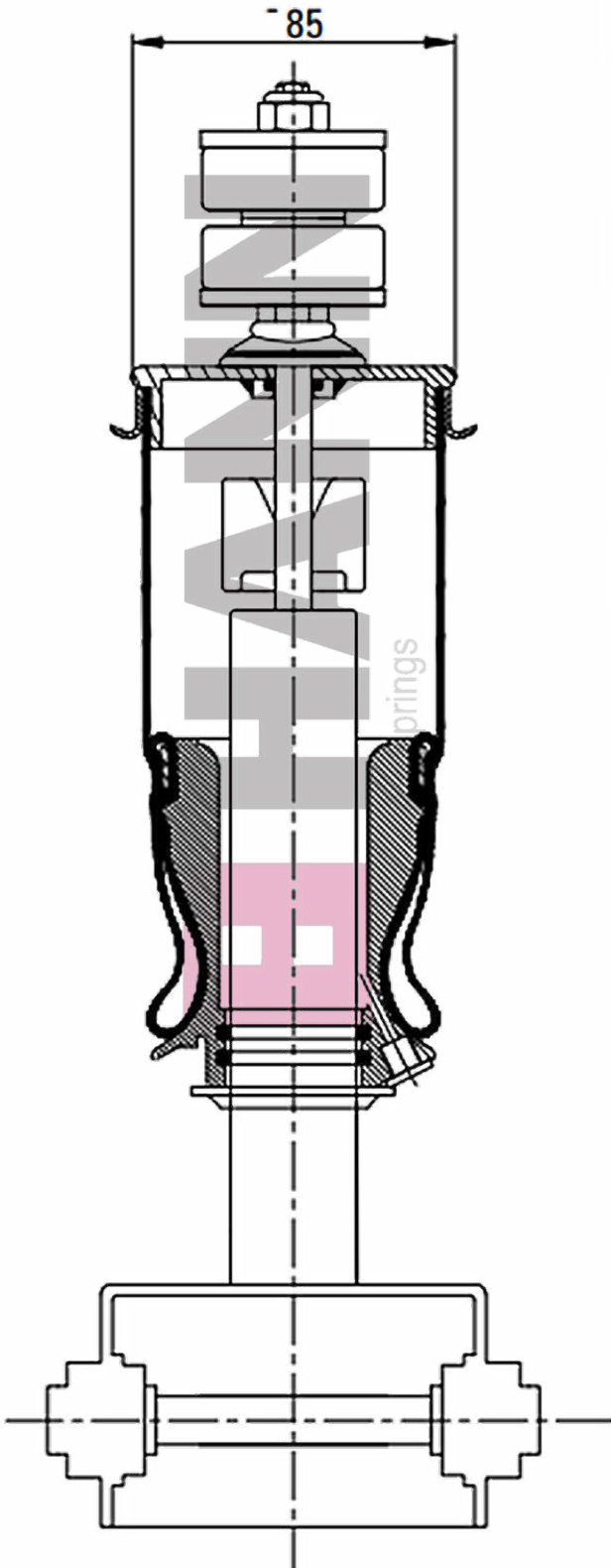
**Vehicle Model:**

Renault C-Serie / D -Serie / DXi 11 / DXi 13 / Magnum DXi 12

# HANN No: H02.5204.RA

Cabin Bellows with Shock Absorber

## TECHNICAL DRAWING



## PRODUCT DETAILS



**Product Type:**  
Cabin Bellows with Shock Absorber



**Dimensions:**  
80\*120\*85



**Pallet Quantity:**  
80



**Weight:**  
4.92

## OEM REFERENCES

RENAULT | 50 10 552 241

RENAULT | 74 20 898 055

RENAULT | 74 82 052 893

VOLVO | 20591650

VOLVO | 82052893

## CROSS REFERENCES

MONROE | CB0118

## VEHICLE APPLICATION



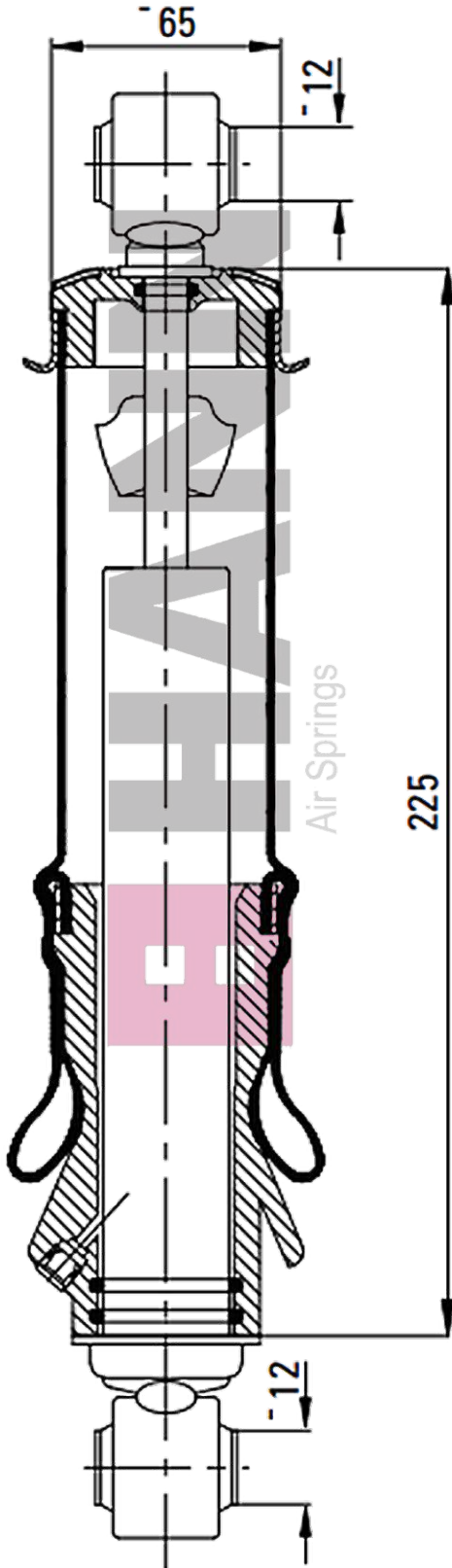
**Vehicle Model:**

Renault C-Serie / D-Serie D /Kerax DXi 11  
/DXi 13 / Magnum DXi 12, / DXi 13 /  
Premium II DXi /II PR / II TR / Volvo FE

# HANN No: H02.5301.RA

Cabin Bellows with Shock Absorber

## TECHNICAL DRAWING



## PRODUCT DETAILS



**Product Type:**  
Cabin Bellows with Shock Absorber



**Dimensions:**  
80\*120\*85



**Pallet Quantity:**  
80



**Weight:**  
1.89

## OEM REFERENCES

RENAULT	50 10 228 908	RENAULT	5010.228.908.A / 5010.316.908
RENAULT	50 10 269 674	RENAULT	5010.228.908.B / 5010.228.908
RENAULT	50 10 288 908	RENAULT	5010.316.783.A / 5010.269.908
RENAULT	50 10 316 783	VOLVO	20757841
RENAULT	50 10 629 398		

## CROSS REFERENCES

SACHS	131041
SACHS	310957
MONROE	CB0088
AIRCRAFT	228908K
GOODYEAR	1SA-AS 013
FIRESTONE	W02-M58-8034
BLACKTECH	110 25 CA

## VEHICLE APPLICATION

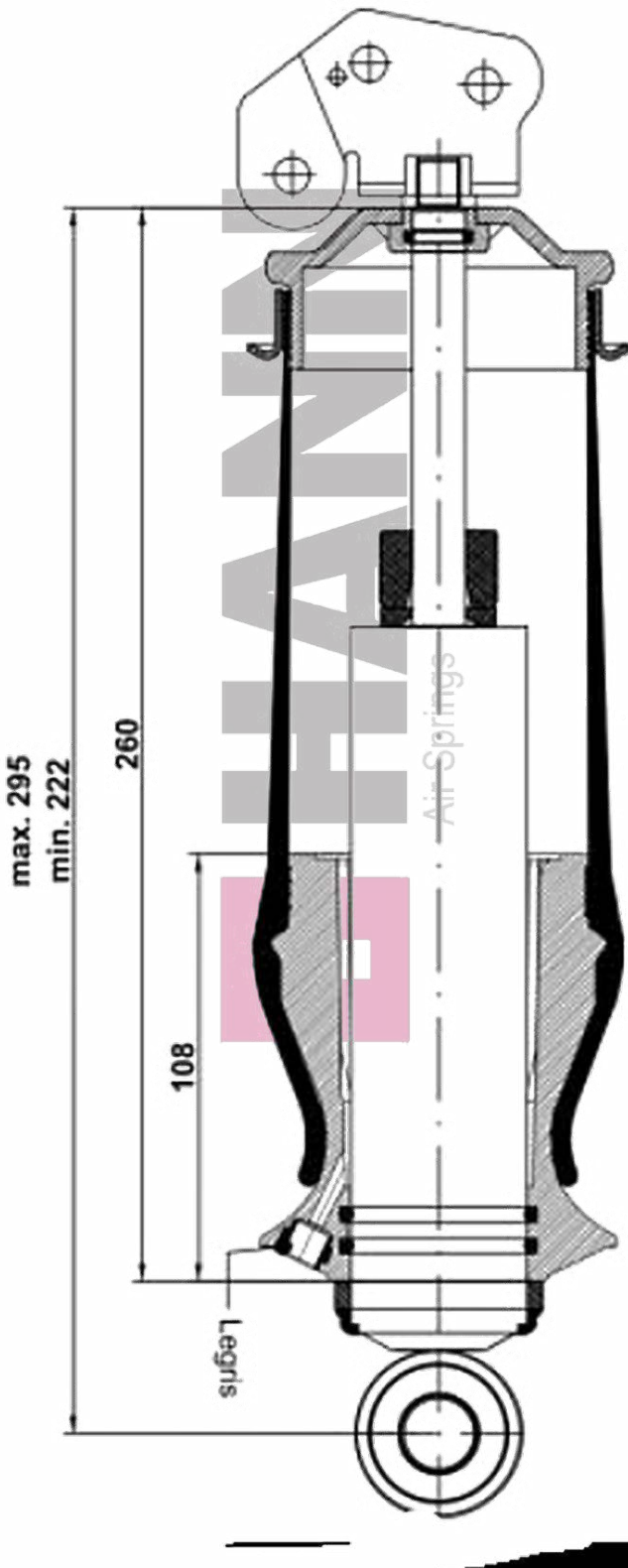


**Vehicle Model:**  
Renault - Kerax DXi 11 / DXi 13 - Premium  
II DXi 7 / II PR / II TR

# HANN No: H02.5303.RA

Cabin Bellows with Shock Absorber

## TECHNICAL DRAWING



## PRODUCT DETAILS



**Product Type:**

Cabin Bellows with Shock Absorber



**Dimensions:**

80\*120\*85



**Pallet Quantity:**

80



**Weight:**

3.31

## OEM REFERENCES

RENAULT

5010 615 879

## CROSS REFERENCES

SACHS

25376537

SACHS

313072

MONROE

CB0171

AIRCRAFT

228879K

## VEHICLE APPLICATION



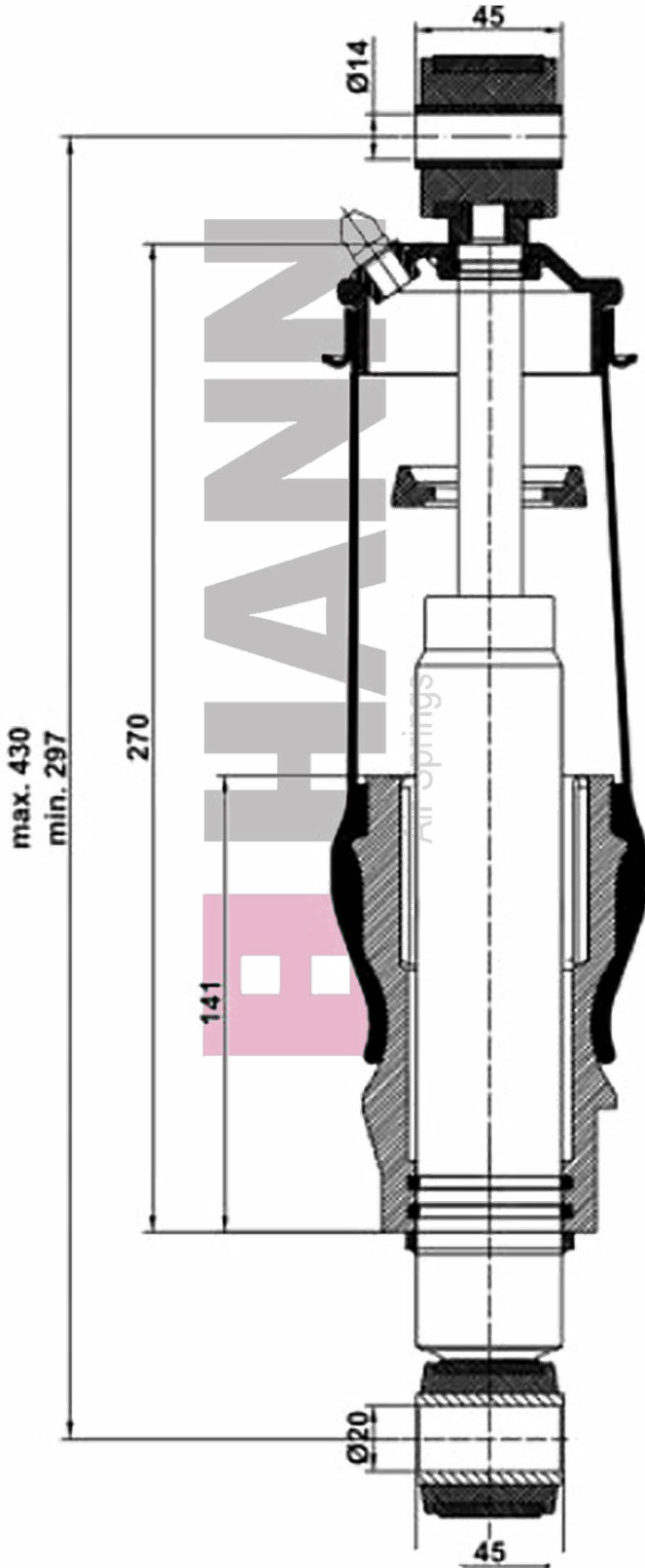
**Vehicle Model:**

RENAULT - PREMIUM

# HANN No: H02.6101.FA

Cabin Bellows with Shock Absorber

## TECHNICAL DRAWING



## PRODUCT DETAILS



**Product Type:**  
Cabin Bellows with Shock Absorber



**Dimensions:**  
80\*120\*85



**Pallet Quantity:**  
65



**Weight:**  
2.95

## OEM REFERENCES

VOLVO	1629719
VOLVO	1629724
VOLVO	3172984

## CROSS REFERENCES

MONROE	CB0003
AIRCRAFT	128020K
GOODYEAR	1SA-AS 003
FIRESTONE	W02-M58-8036
BLACKTECH	110 27 CA

## VEHICLE APPLICATION

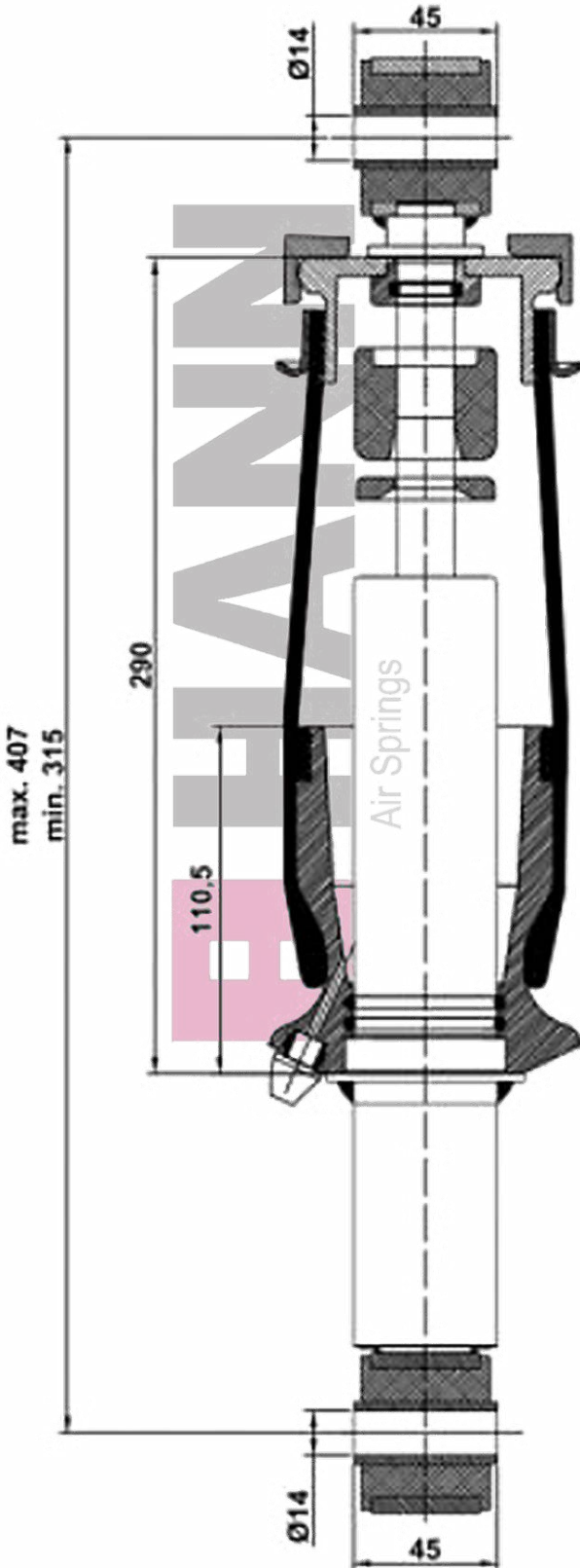


**Vehicle Model:**  
Volvo - FH FH16

# HANN No: H02.6102.RA

Cabin Bellows with Shock Absorber

## TECHNICAL DRAWING



## PRODUCT DETAILS



**Product Type:**  
Cabin Bellows with Shock Absorber



**Dimensions:**  
80\*120\*85



**Pallet Quantity:**  
65



**Weight:**  
3.36

## OEM REFERENCES

VOLVO	1076855	VOLVO	20427897
VOLVO	20427879	VOLVO	20721169
VOLVO	20889134	VOLVO	20775212
VOLVO	22144200	VOLVO	21651231
VOLVO	3172985		

## CROSS REFERENCES

MONROE	CB0006
AIRCRAFT	128021K
GOODYEAR	1SA-AS 004
FIRESTONE	W02-M58-8037

## VEHICLE APPLICATION

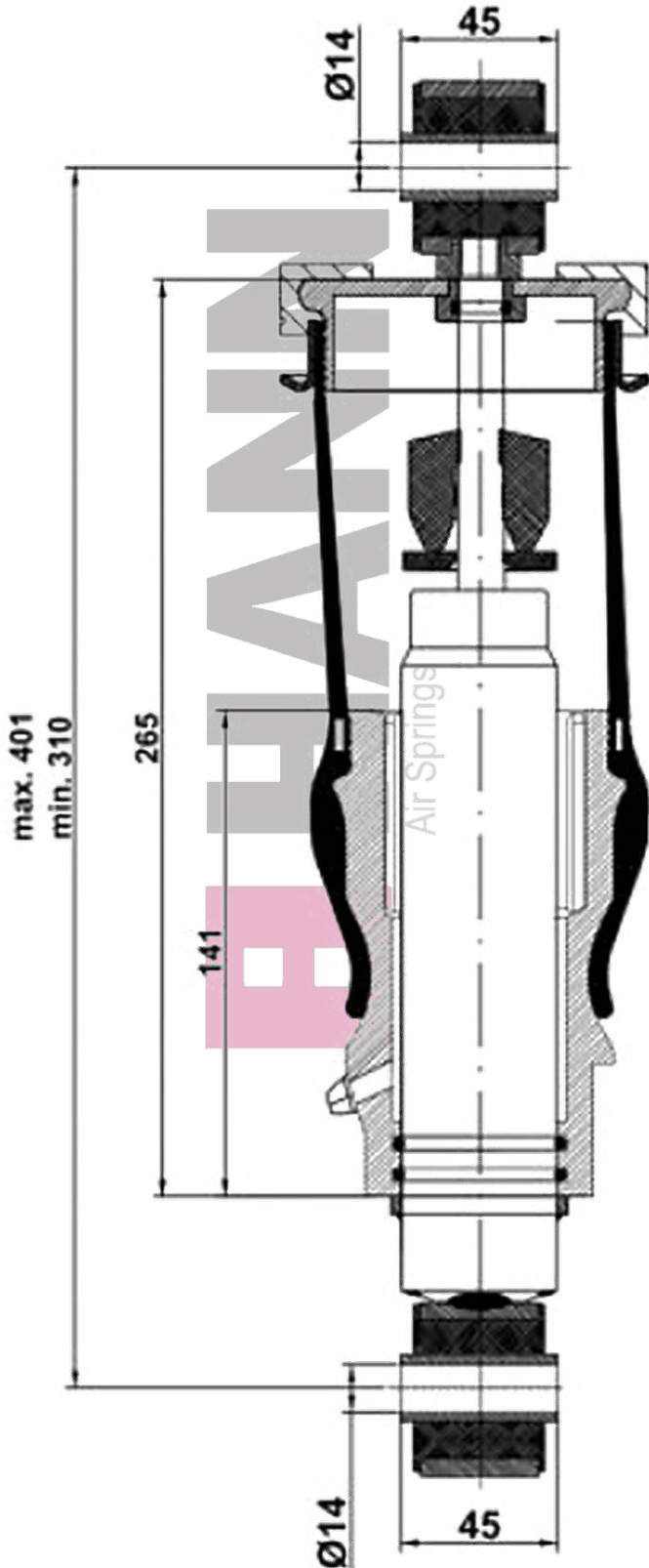


**Vehicle Model:**  
Volvo - FH FH

# HANN No: H02.6103.RA

Cabin Bellows with Shock Absorber

## TECHNICAL DRAWING



## PRODUCT DETAILS



**Product Type:**  
Cabin Bellows with Shock Absorber



**Dimensions:**  
80\*120\*85



**Pallet Quantity:**  
65



**Weight:**  
3.04

## OEM REFERENCES

VOLVO	1075076
VOLVO	1075077

## CROSS REFERENCES

FIRESTONE	W02-M58-8038
MONROE	CB0002
AIRCRAFT	128022K
BLACKTECH	110 35 CA

## VEHICLE APPLICATION

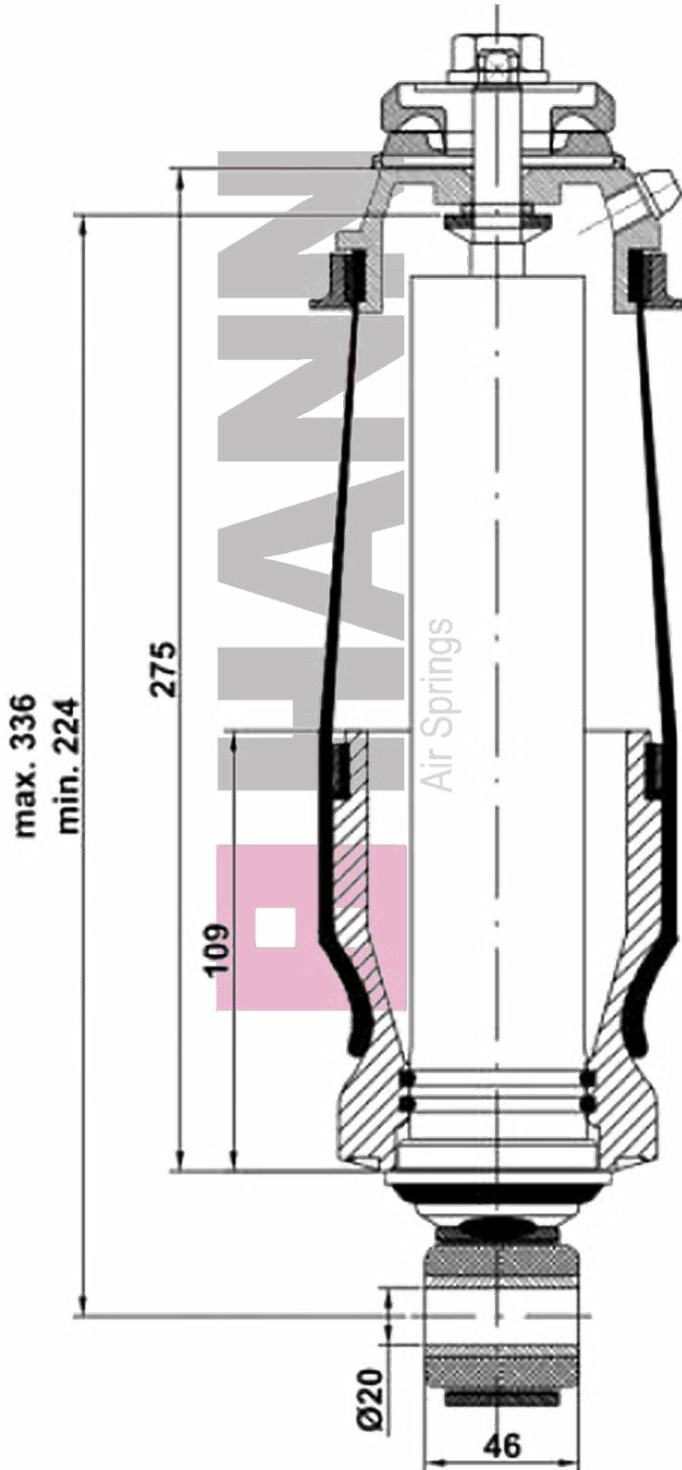


**Vehicle Model:**  
VOLVO - FH - 12 FH

# HANN No: H02.6104.FA

Cabin Bellows with Shock Absorber

## TECHNICAL DRAWING



## PRODUCT DETAILS



**Product Type:**  
Cabin Bellows with Shock Absorber



**Dimensions:**  
80\*120\*85



**Pallet Quantity:**  
80



**Weight:**  
2.40

## OEM REFERENCES

VOLVO	20453256
VOLVO	20889132
VOLVO	21111932
COBO	2014118

## CROSS REFERENCES

MONROE	CB0039
MONROE	CB0055
AIRCRAFT	128023K
BLACKTECH	110 46 CA

## VEHICLE APPLICATION

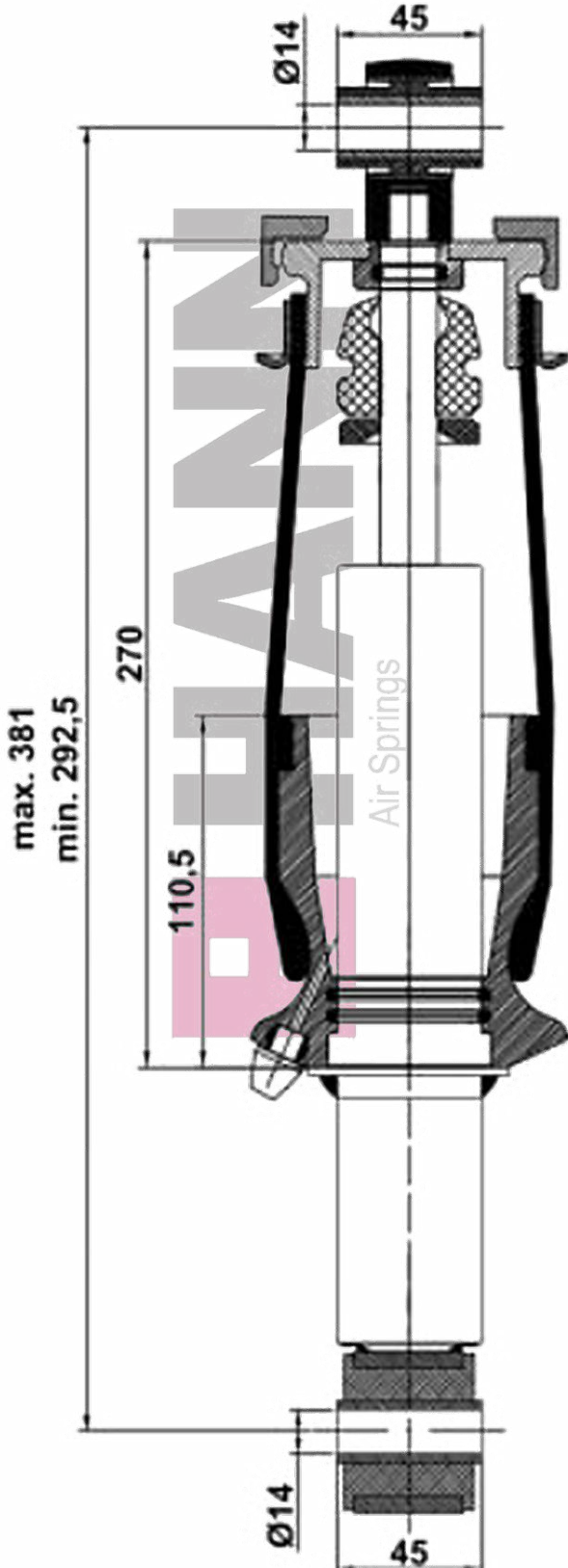


**Vehicle Model:**  
Volvo - FH

# HANN No: H02.6109.FA

Cabin Bellows with Shock Absorber

## TECHNICAL DRAWING



## PRODUCT DETAILS



**Product Type:**  
Cabin Bellows with Shock Absorber



**Dimensions:**  
80\*120\*85



**Pallet Quantity:**  
65



**Weight:**  
3.45

## OEM REFERENCES

RENAULT | 74 21 821 027

RENAULT | 7421821027

VOLVO | 24182857

VOLVO | 21171976

VOLVO | 22040666

## CROSS REFERENCES

MONROE | CB0213

## VEHICLE APPLICATION

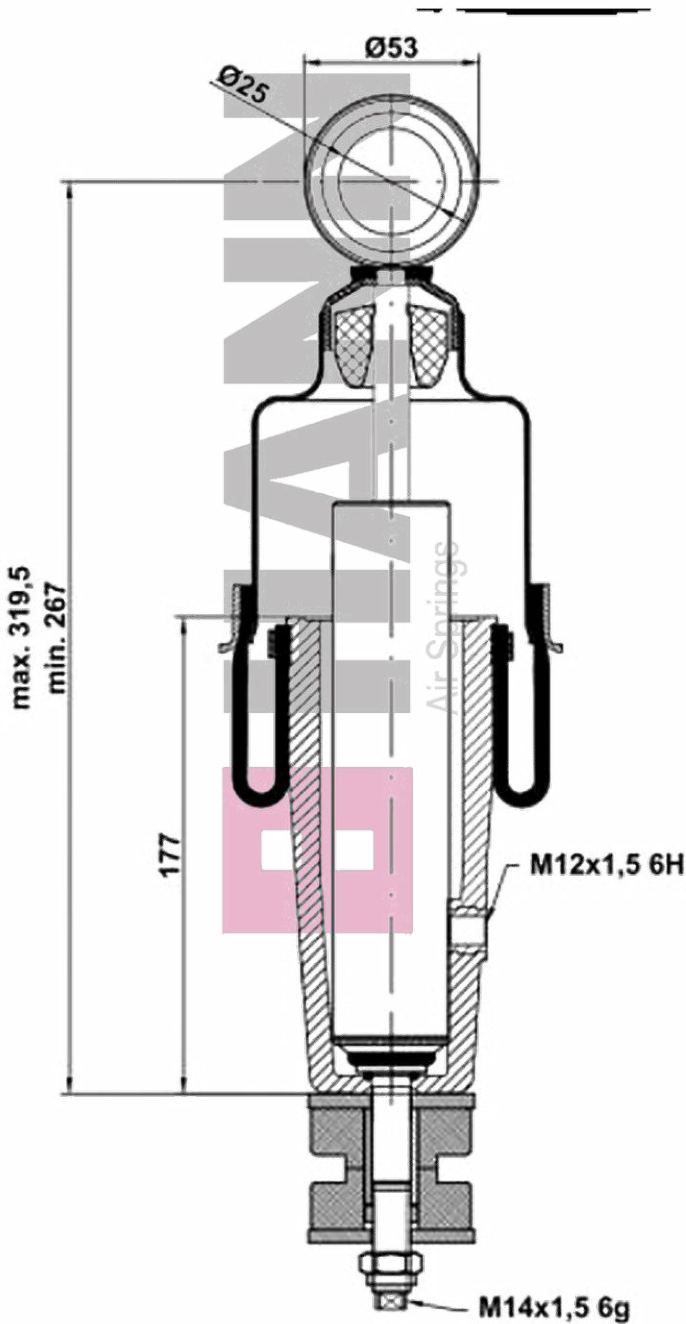


**Vehicle Model:**  
Renault - T-Serie - Volvo FH / FHE / FM  
/ FMX

# HANN No: H02.7101.FA

Cabin Bellows with Shock Absorber

## TECHNICAL DRAWING



## PRODUCT DETAILS



**Product Type:**  
Cabin Bellows with Shock Absorber



**Dimensions:**  
80\*120\*85



**Pallet Quantity:**  
65



**Weight:**  
3.26

## OEM REFERENCES

DAF	1265281	DAF	1371065
DAF	1285393	DAF	1444147
DAF	1321590	DAF	1622211
DAF	1353450	DAF	375224
DAF	1353453		

## CROSS REFERENCES

MONROE | CB0033

## VEHICLE APPLICATION

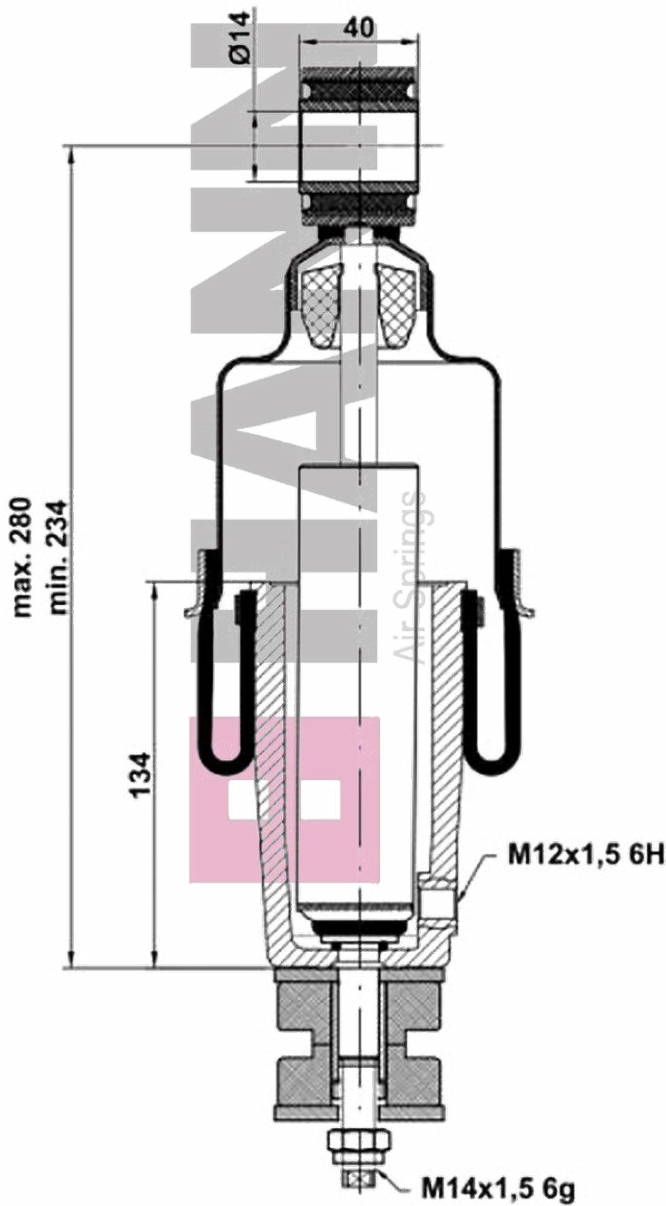


**Vehicle Model:**  
DAF - LF / XF / CF

**HANN No: H02.7101.RA**

Cabin Bellows with Shock Absorber

**TECHNICAL DRAWING**



**PRODUCT DETAILS**



**Product Type:**  
Cabin Bellows with Shock Absorber



**Dimensions:**  
80\*120\*83



**Pallet Quantity:**  
80



**Weight:**  
2.93

**OEM REFERENCES**

DAF	0299862	DAF	1321591
DAF	1245600	DAF	1353451
DAF	1792421	DAF	1353454
DAF	1792423	DAF	1371066
DAF	1265282	DAF	1623477
DAF	1285394	DAF	299862

**CROSS REFERENCES**

MONROE | CB0034

**VEHICLE APPLICATION**



**Vehicle Model:**  
DAF - XF